

MSI/LSI, DIGITAL, DIGILIN & LINEAR CIRCUITS

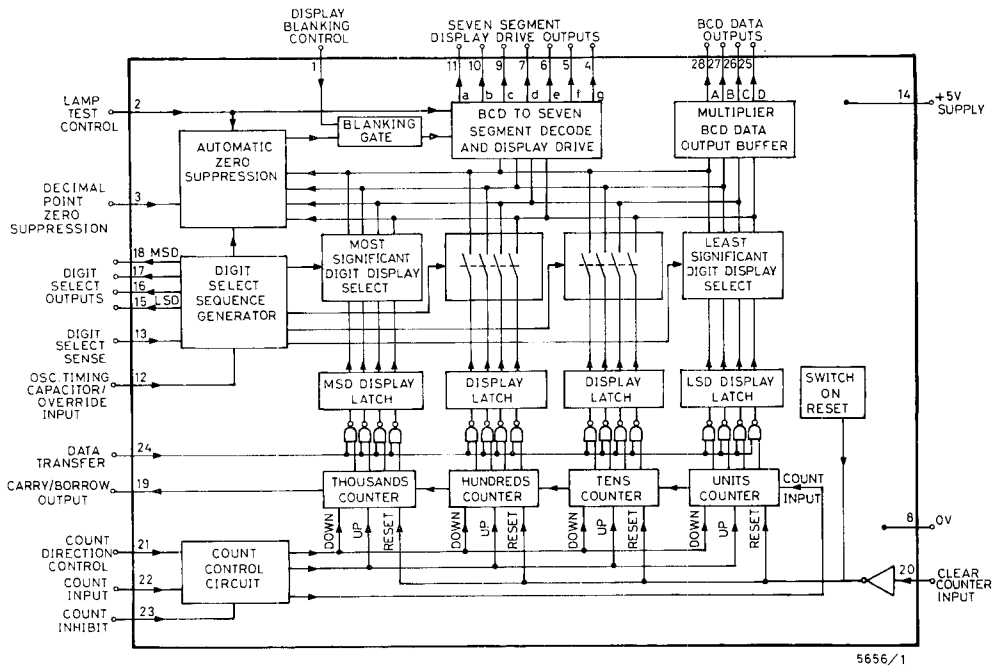
UNIVERSAL 4 DIGIT DISPLAY COUNTER

ZN1040E

The counter offers such functions as up/down synchronous counting, a Schmitt trigger input, direct cascading and inhibit and clear facilities. Separate memory latches are available and the display control circuitry offers variable mark-space (*intensity*) control, blanking, lamp test, separate B.C.D. outputs as well as segment outputs, automatic zero suppression and catering for the decimal point. The internal oscillator drives a self-scanning system, but provision is made for external override for synchronisation purposes. An anticipatory carry/borrow output, 'switch-on' reset and clearing counter are all internal to the ZN1040.

FEATURES

- 4 digits of synchronous reversible count, up to 5 MHz
- Multiplexed B.C.D. outputs
- Large output drive capability, 80 mA with 0.4V drop on segment outputs and 16 mA at 0.4V on others
- Direct cascading for extra digits
- Fully TTL compatible, single 5V supply



System Diagram