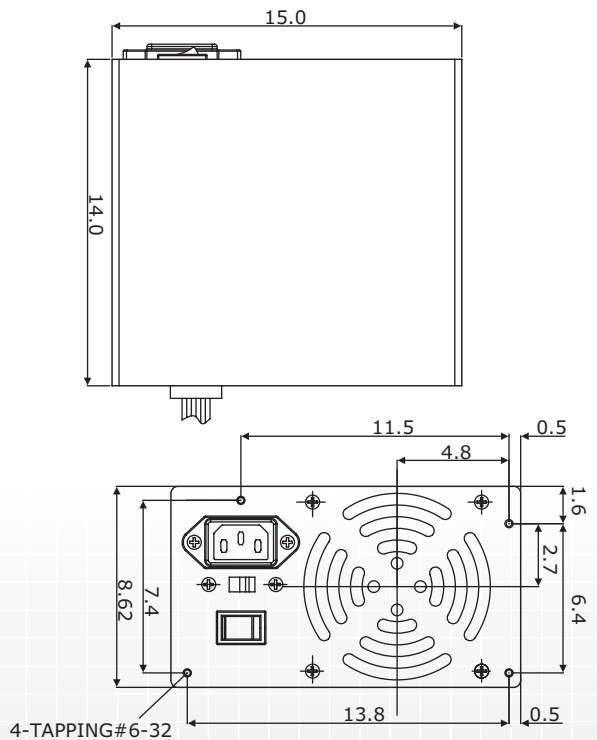


# ZKS-300WX-A

300W AC-DC ATX Power Supply supports ATX2.03

Industrial Power Supply  
AC-DC



## FEATURES

- \***Input Voltage:** 90~135VAC (input 115VAC), 180~260VAC (input 230VAC)
- \***Input Frequency:** 47~63Hz
- \***Input Current:** 9A for 115VAC at without AC outlet; 5A for 230VAC
- \***Inrush Current:** 120A max. at cold start
- \***Switching Frequency:** 30KHz typical
- \***Hold Up Time:** 16ms min.
- \***Brown Out Voltage:** 95VAC max. at 60Hz
- \***Output Power:** 300W at 45°C
- \***Power Up Time:** < 20ms for +5V output voltage
- \***Power Good Signal:** The power good signal will not be higher than 100~500ms after the +5V output stabilizes at its operating value when the unit is turned on
- \***Power Failure:** The TTL compatible signal will go down at least 1ms before +5V below 4.75V
- \***PS ON Signal:** TTL compatible signal (active low)
- \***Efficiency:** 70% min. at full load (AC input 230V)
- \***Altitude:** 10,000 feet
- \***Protection:**
  - Over Voltage: +3.3V from 3.7~4.2V, +5V from 5.5~6.2V, +12V from 13.2~14.2V
  - Over Load: Total output from 110% min. to 150% max.
  - Short Circuit: Latch off
- \***Thermal System:** Forced air ventilation by DC ball bearing cooling fan; fan status monitoring is optional
- \***Temperature Coefficient:** +0.05% per °C
- \***Temperature:** 0~+45°C (operating); -10~+70°C (storage)
- \***Humidity:** 20~90% RH (operating); 10~98% RH (storage)
- \***Dimensions:** 15.0 x 14.0 x 8.6 cm
- \***MTBF:** 100,000 hrs.

## SAFETY STANDARDS

\***Safety:** UL 1950, UL 1950 D3 / TUV EN60950 / NEMKO 60950 / CE IEC 60950 / CE Test Report

	V1	V2	V3	V4	V5	V6
Output Voltage	+3.3V	+5V	+12V	-5V	-12V	+5Vsb
Max. Current	20A	30A	12A	0.5A	1A	1.5A
Min. Current	0.3A	1A	0.4A	0A	0A	0A
Load Regulation	5%	3%	5%	10%	10%	5%
Line Regulation	1%	1%	1%	1%	1%	1%
Ripple & Noise	50mV	50mV	50mV	150mV	150mV	50mV
*****	Total 150W Max.		****	****	****	****