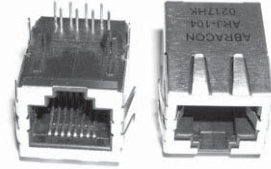


TAP DOWN RJ45 LAN MAGNETIC

ARJ-1XX SERIES



FEATURES:

- Low cost 1x1 Tab-Down RJ45
- Available with or without LED
- Suitable CAT 5 & 6 cable and UTP
- Comply IEEE 802.3

OPTIONS:

- PVC tube package

APPLICATIONS:

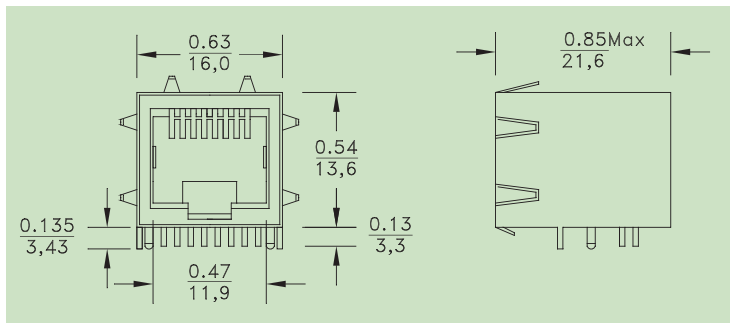
- LAN Magnetic with RJ45
- 10/100Base-T Intergrated Magnetic
- NIC, LoM and PC

STANDARD SPECIFICATIONS:

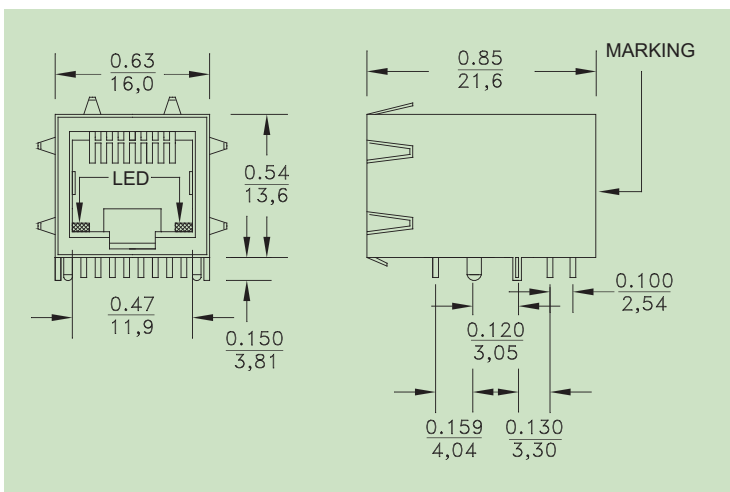
Part No.	Turns Ratio ($\pm 2\%$)		Return Loss (dB Min) MHz			Xtalk (dB Min)MHz		CMRR (dB Min) MHz		Schematic
	TX	RX	1-30	30-60	60-80	1-60	60-80	1-60	60-80	
ARJ-101	1CT:1CT	1CT: 1CT	-16	-13	-10	-40	-38	-45/-40	-40/-35	A
ARJ-102	1.414CT:1CT	1CT: 1CT	-16	-13	-10	-40	-38	-45/-40	-40/-35	A
ARJ-103	2CT:1CT	1CT: 1CT	-16	-13	-10	-40	-38	-45/-40	-40/-35	A
ARJ-104	1CT:1.414CT	1CT: 1CT	-16	-13	-10	-40	-38	-45/-40	-40/-35	A
ARJ-105	1CT:2CT	1CT: 1CT	-16	-13	-10	-40	-38	-45/-40	-40/-35	A
ARJ-108	1CT:2.5CT	1CT: 1CT	-16	-13	-10	-40	-38	-45/-40	-40/-35	A

Part No.	Turns Ratio ($\pm 2\%$)		Return Loss (dB Min) MHz				Xtalk (dB Min)	CMRR (dB Min)	Schematic
	TX	RX	1-30	30-45	45-60	60-80	1-100MHz	1-100MHz	
ARJ-106	1CT:1CT	1CT: 1CT	-18	-16	-14	-12	-35	-35	B
ARJ-107	1CT:1CT	1CT: 1CT	-18	-16	-14	-12	-35	-35	C

DIMENSIONS WITHOUT LED:



DIMENSIONS WITH LED:

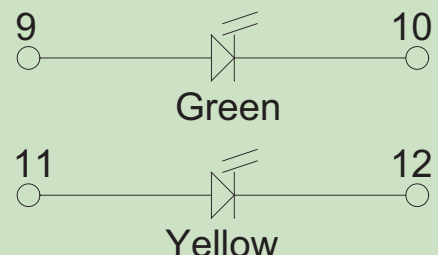


TECHNICAL INFORMATION:

- I.L.: -1.0 dB Max @ 1MHz to 100MHz
- OCL: 350 μ H min @ 100KHz, 0.1V_{RMS} 8mA DC
- Hipot: 1500 V_{RMS} 1 Minute min
- Add D after the part number for with LED
- 2.1V 10mA forward typical
- Operating Temperature: 0°C to +70°C
- Extended temperature subject to request

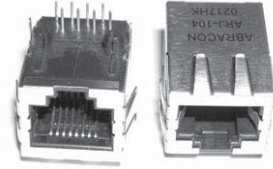
NOTES:

1. Tolerance comply with F.C.C. dimension requirement
 2. Housing material: Glass filled polyester UL94V-0
 3. Contact material: Phosphor bronze
t = 0.014 inch / 0.35 mm
 4. Plating:
 - a. Contact area selective (30 μ inch) gold plating
 - b. Tail ~150 μ inch tin-lead min over 150 μ inch nickel
 5. Operating life: 750 cycles min
- Note:** All specifications subject to change without notice

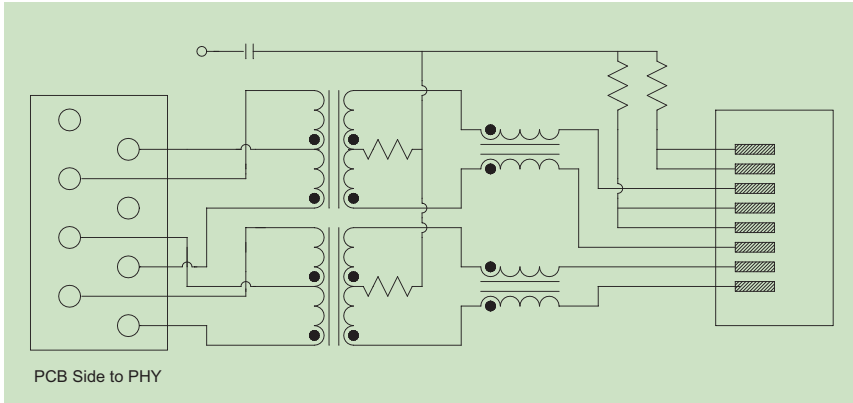


TAP DOWN RJ45 LAN MAGNETIC

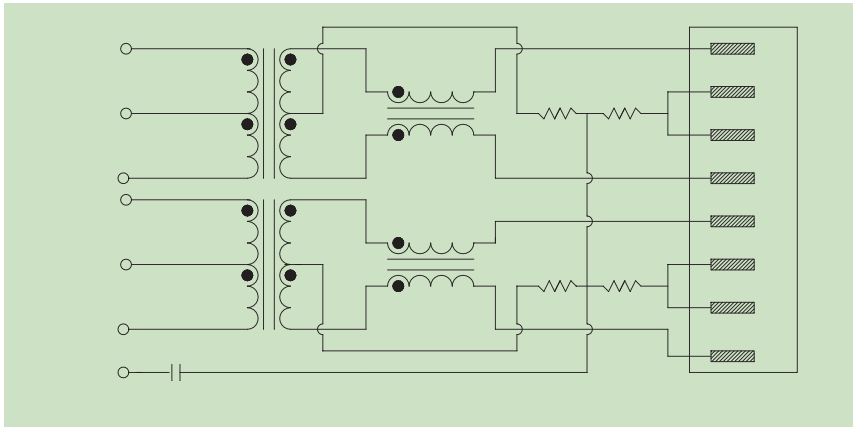
ARJ-1XX SERIES



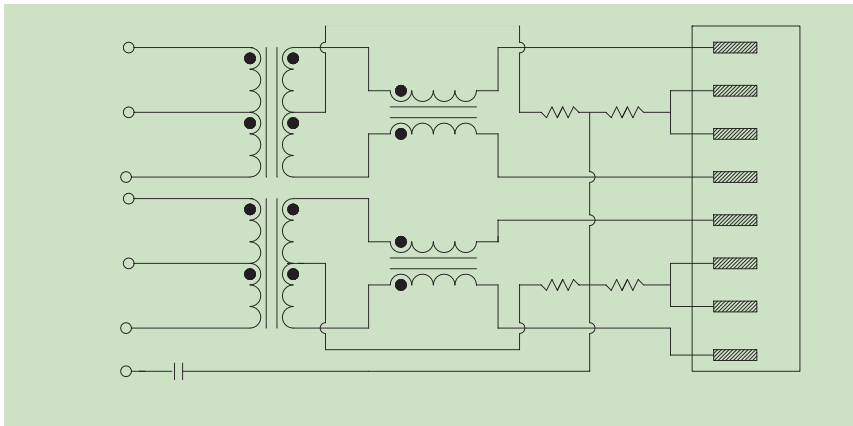
SCHEMATIC A:



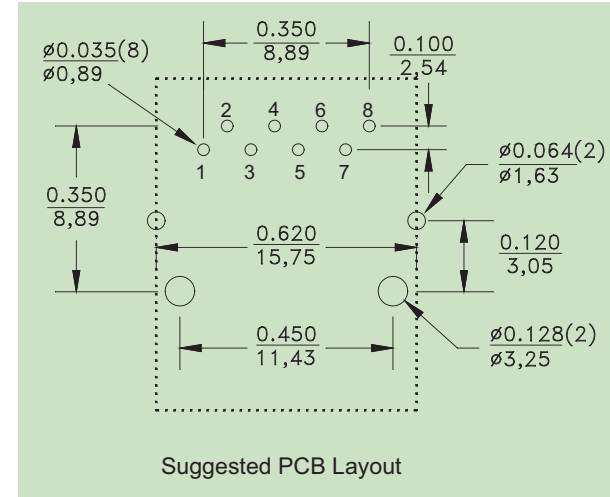
SCHEMATIC B:



SCHEMATIC C:



LANDED PATTERN WITHOUT LED:



LANDED PATTERN WITH LED:

