

**PLEASE CHECK WWW.MOLEX.COM FOR LATEST PART INFORMATION**

**Part Number:** [0357252710](#)  
**Status:** **Active**  
**Description:** Quick Disconnect, Female, for 10-14 AWG (5.26-2.08mm<sup>2</sup>), Metal Strip, Tab 6.35 by 0.81mm (.250 by .032"), Slip-On Type With Slot, Post Tin Plating

**Documents:**

[Drawing \(PDF\)](#) [RoHS Certificate of Compliance \(PDF\)](#)  
[Product Specification PS-35703-001 \(PDF\)](#)

**Agency Certification**

UL E92853

**General**

Product Family Quick Disconnects  
 Series [35725](#)  
 Crimp Quality Equipment Yes  
 Product Name N/A  
 Type Quick Disconnect

**Physical**

Barrel Type Open  
 Gender Female  
 Glow-Wire Compliant No  
 Insulation None  
 Lock to Mating Part Yes  
 Material - Metal Brass  
 Orientation Straight  
 Packaging Type Reel  
 Polarized to Mating Part No  
 Tab Thickness 0.81mm (.032")  
 Tab Width 6.35mm (.250")  
 Temperature Range - Operating -40°C to +85°C  
 Wire Insulation Diameter 3.80-5.30mm (.150-.209")  
 Wire Size AWG 10, 12, 14  
 Wire Size mm<sup>2</sup> 2.08 - 5.26

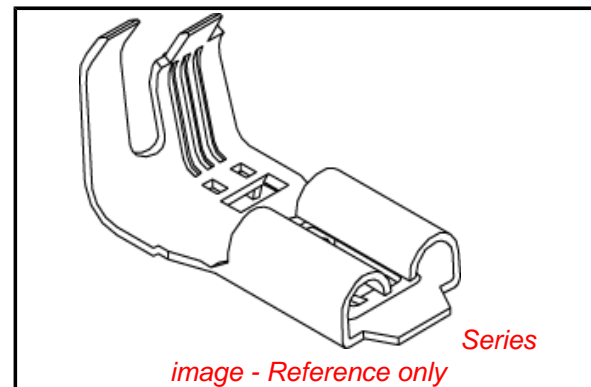
**Electrical**

Voltage - Maximum Per Wire Specification

**Material Info**

**Reference - Drawing Numbers**

Product Specification PS-35703-001  
 Sales Drawing SD-35725-27\*0



*image - Reference only*

**EU RoHS**

**ELV and RoHS Compliant**  
**REACH SVHC Contains SVHC: No**  
**Halogen-Free Status**

**China RoHS**



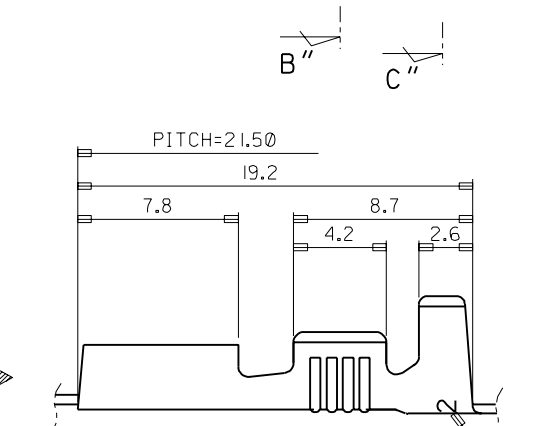
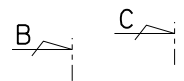
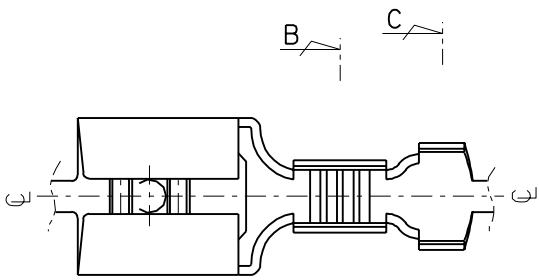
**Need more information on product environmental compliance?**

Email [productcompliance@molex.com](mailto:productcompliance@molex.com)  
 For a multiple part number RoHS Certificate of Compliance, [click here](#)

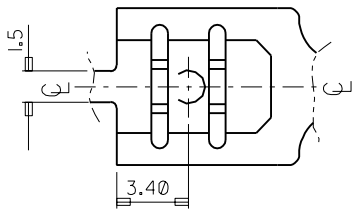
Please visit the [Contact Us](#) section for any non-product compliance questions.

**Search Parts in this Series**  
[35725Series](#)

**Use With**  
 6.35mm (.250") Tab



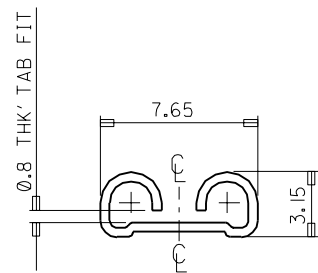
"A" →



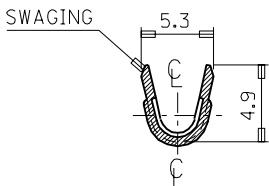
NOTES

1. MATERIAL : BRASS , 0.45mm THICKNESS
2. PART NUMBER
3. MATING TAB THICKNESS : 0.8 mm

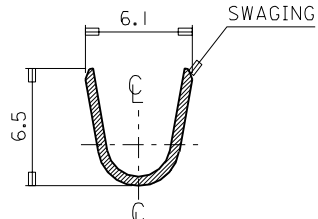
PART NUMBER	FINISH
35725-2700	UNPLATED
35725-2710	POST PLATED TIN
35725-2740	POST PLATED TIN-LEAD



VIEW "A"



SEC' : B-B"



SEC' : C-C"

WIRE RANGE AWG #14-#10					MATERIAL SEE NOTES	MOLEX-KOREA CO.,LTD.		
INSULATION RANGE Ø 3.8 -5.3	C	REVISED	97-015	97.2.18	GENERAL TOLERANCE DIMENSION : 1 PLCS : +0.30 ANGLE : 2 PLCS : +0.20			DRAWN BY J. S. KANG
DIE FEED: //	B	REVISED	96-048	96.4.19	DIMENSION CLASSIFICATION ▽ : CRITICAL ▾ : MAJOR ( ) : REFERENCE	APP'D BY	SCALE 4.5 : 1	
APPLICATOR FEED: 21.50	A	CAD REDRAWING		93.7.2		TITLE : .250 SLIP-ON RECEPTACLE ( SLOT )-L		SHEET 1 of 1
O'TY/ REEL OR PACK 4.000 O'TY/REEL	LTR	REVISION RECORD	ECN	DATE	ASS'Y PART DESCRIPTION/ ENG. NO.	ENG. NO.	SEE NOTES	REV C
REVISE ONLY ON CAD SYSTEM					//	//		