



Boost Controller For Double AA Cell or Li-Ion Battery For White LED Application

FEATURES

- Voltage Mode Control with Internal Frequency Compensation
- 1.8-V to 5.0-V Input Voltage Range
- PWM Control with 600-kHz Fixed Switching Frequency
- Analog Control of LED Intensity
- Regulated Output Current
- Integrated UVLO and Soft-Start
- Logic Controlled Shutdown ($< 1 \mu\text{A}$)
- High Efficiency: Typical 80%
- PowerPAK[®] MLP33-6 Package



Product Is Completely Pb-free

APPLICATIONS

- White LED Backlighting
- LCD Bias Supplies
- Handheld Devices
- Digital Cameras
- Portable Applications

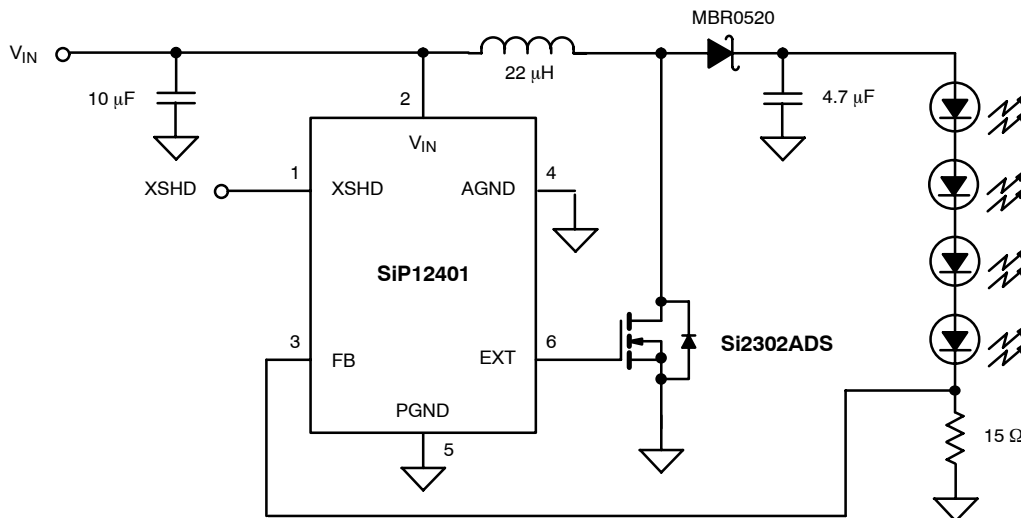
DESCRIPTION

SiP12401 is a boost controller IC for double cell NiMH or Alkaline battery and Li Ion battery, which can drive white LEDs connected in series to provide backlight in hand-held devices. Series connection of the LEDs provides identical LED currents resulting in uniform brightness and eliminating the need for ballast resistors. For best efficiency performance, the SiP12401 is designed to operate in PWM mode with 600-kHz switching. The voltage-mode PWM design is internally

compensated, reducing the external parts count. It accepts input voltages from 1.8 V to 5.0 V. The LED current can be adjusted externally for its brightness control. SiP12401 features low shutdown current of under $1 \mu\text{A}$.

SiP12401 is available in a lead (Pb)-free 6-pin, PowerPAK MLP33 package and is specified to operate over the industrial temperature range of -40°C to 85°C .

TYPICAL APPLICATION CIRCUIT



ABSOLUTE MAXIMUM RATINGS (ALL VOLTAGES REFERENCED TO GND = 0 V)

Input Voltage, V_{IN}	-0.3 to 6 V	Operating Junction Temperature	125°C
EXT Voltage	-0.3 to $V_{IN} + 0.5V$	Power Dissipation ^a	
XSHD Voltage	-0.3 to $V_{IN} + 0.5V$	PowerPAK MLP33-6 ($T_A = 70^\circ C$) ^a	1100 mW
FB Voltage	-0.3 to $V_{IN} + 0.5V$	Thermal Resistance ^b	
Maximum Junction Temperature	150°C	PowerPAK MLP33-6	50°C/W
Storage Temperature	-55 to 150°C	Notes	
		a. Derate 20 mW/°C above 70°C	
		b. Device mounted with all leads soldered or welded to PC board.	

Stresses beyond those listed under "Absolute Maximum Ratings" may cause permanent damage to the device. These are stress ratings only, and functional operation of the device at these or any other conditions beyond those indicated in the operational sections of the specifications is not implied. Exposure to absolute maximum rating conditions for extended periods may affect device reliability.

RECOMMENDED OPERATING RANGE (ALL VOLTAGES REFERENCED TO GND = 0 V)

Input Voltage, V_{IN}	1.8 to 5 V	FB Voltage	0 V to 5 V
XSHD, EXT Voltage	0 V to V_{IN}	Operating Temperature Range	-40 to 85°C
LX Voltage	0 V to $V_{OUT} + 0.5 V$		

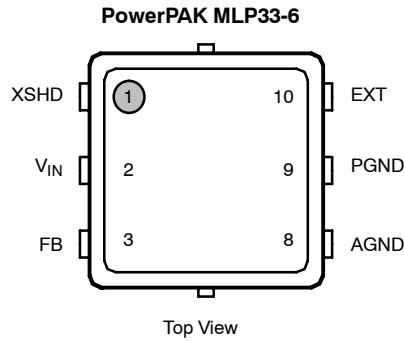
SPECIFICATIONS^a

Parameter	Symbol	Test Conditions Unless Specified $V_{IN} = 3 V, T_A = 25^\circ C$	Temp- a	Limits			Unit
				Min ^b	Typ ^c	Max ^b	
Input Voltage	V_{IN}		Full	1.8		5	V
UVLO	V_{UVLO}		Full		1.65	1.77	
UVLO Hysteresis	$V_{UVLOHYST}$				0.1		
Feedback Voltage	V_{FB}			0.291	0.3	0.309	nA
Feedback Input Current	I_{FB}	$V_{FB} = 0.3 V$	Full	0.282		0.318	
Maximum PWM Duty Cycle	MAXDTY			77	85		%
PWM Switching Frequency	f_{OSC}		Full	425	600	775	kHz
Quiescent Current	I_Q	$V_{FB} = 0.4 V$			200	300	μA
Stand-By Current	I_{STB}	XSHD = 0 V	Full			1	
XSHD Input High Level	V_{XSHDH}		Full	1.2			V
XSHD Input Low Level	V_{XSHDL}		Full			0.2	
EXT High On Resistance	R_{EXTH}	$I_{EXT} = 10 mA$			35		Ω
EXT Low On Resistance	R_{EXTL}				30		

Notes

- Full = -40 to 85°C
- The algebraic convention whereby the most negative value is a minimum and the most positive a maximum (-40° to 85°C).
- Typical values are for DESIGN AID ONLY, not guaranteed nor subject to production testing.

PIN CONFIGURATION AND TRUTH TABLE



ORDERING INFORMATION		
Part Number	Temperature Range	Marking
SiP12401DMP-T1-E3	-40 to 85°C	2401

PIN DESCRIPTION		
Pin Number	Name	Function
1	XSDH	Logic Controlled Shutdown Input, XSHD = High: Normal Operation, XSHD = Low: Shutdown
2	V _{IN}	Battery Input Voltage
3	FB	Output Voltage Feedback Pin
4	AGND	Signal Ground
5	PGND	Power Ground
6	EXT	Drive Pin for External Power MOS

PIN FUNCTIONS

XSHD (Pin 1)

XSHD is the logic controlled shutdown input pin. When XSHD is low, the IC is shutdown and it's quiescent current is less than 1 μA. When XSHD is high, the IC is working in normal operation.

V_{IN} (Pin 2)

V_{IN} is the pin connected to battery input voltage. The IC gets its power supply from V_{IN}.

FB (Pin 3)

FB is the feedback pin of the output voltage via resistor divider. FB is about 0.3 V and its difference from 0.3-V reference voltage is amplified by the error amplifier.

AGND (Pin 4)

AGND is the pin for ground of controlling circuit.

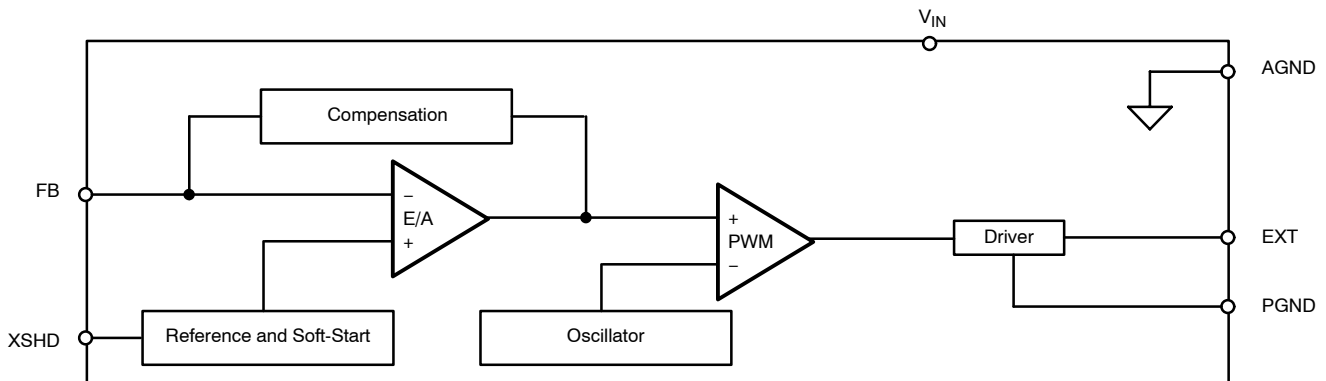
PGND (Pin 5)

PGND is the pin for ground of the internal power MOS driver.

EXT (Pin 6)

EXT is the output pin of internal driver. It's connected to the gate of external power MOSFET.

FUNCTIONAL BLOCK DIAGRAM



DETAILED OPERATION

SiP12401 is a 600-kHz boost controller IC, packaged in 6-pin MLP33, for white LED applications. It features fixed frequency voltage mode PWM control with internal frequency compensation. With the low $r_{DS(on)}$ external power MOSFET, this device maintains high efficiency over a wide range of load current.

Soft-Start

During soft-start, the loop compensation guarantees the slow increase of the output voltage and inrush current, so that no large voltage overshoot and inrush current occur when the soft-start is ended.

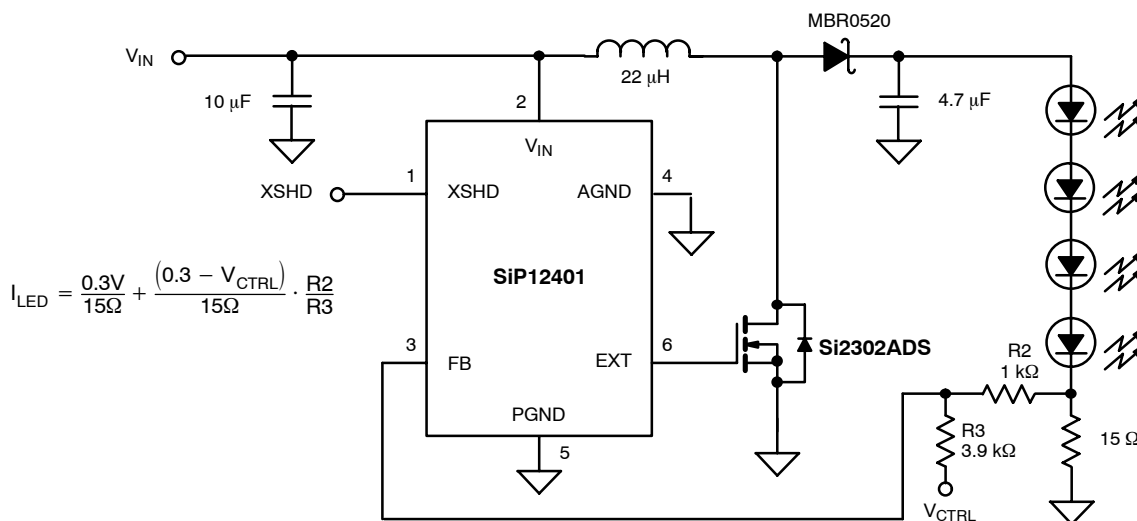
PWM operation

After soft-start, the device is working in PWM operation with a fixed frequency of 600 kHz.

Application Information

White LED Brightness Control

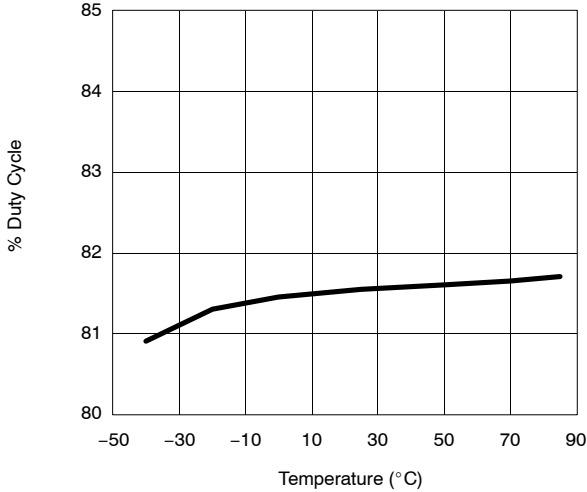
The current of white LED can be adjusted by PWM signal on the XSHD pin or by a variable dc voltage to control its brightness. (See Figure 1.) As control voltage V_{CTRL} increases, the voltage drop on R2 increases and the voltage drop on R1 decreases. Thus, the LED current decreases. The selection of R2 and R3 will make the current from V_{CTRL} much smaller than LED current and much larger than the FB pin bias current.



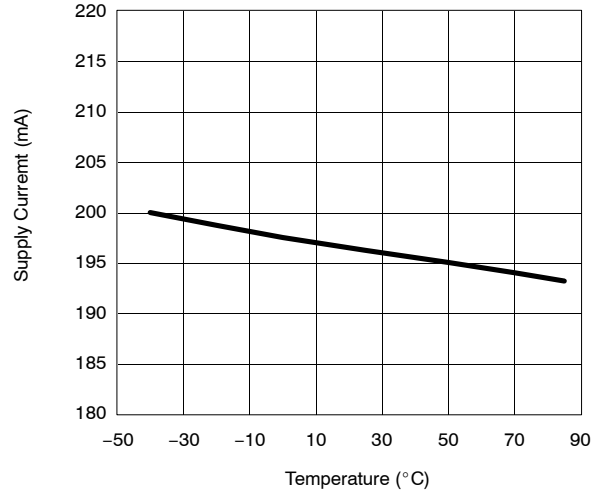


TYPICAL CHARACTERISTICS

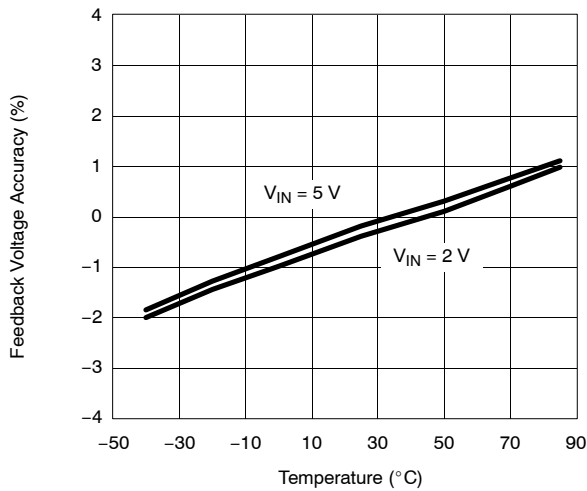
Maximum PWM Duty Cycle vs. Temperature



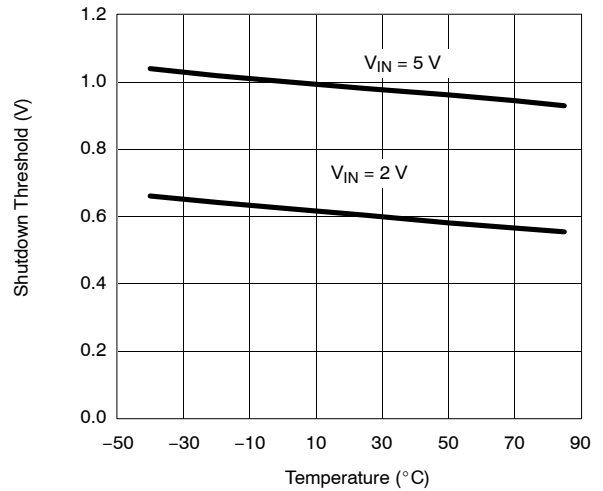
Supply Current vs. Temperature



Feedback Voltage vs. Temperature



Shutdown Threshold vs. Temperature



TYPICAL WAVEFORMS

Figure 1. PWM Dimming Control
200 Hz 50% Duty Cycle PWM Signal on XSHD Pin

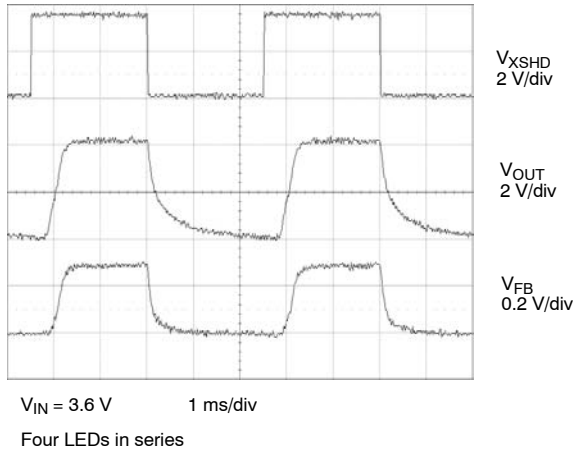
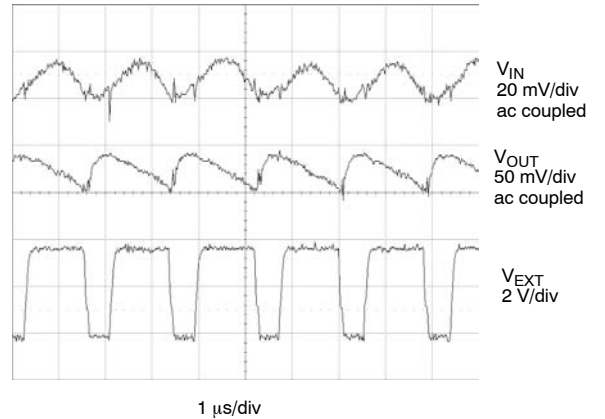


Figure 2. Switching Waveforms: V_{IN} , V_{OUT} and V_{EXT}

$V_{IN} = 3.6\text{ V}$, $L = 22\text{ }\mu\text{H}$, $C_{OUT} = 4.7\text{ }\mu\text{F}$, Four LEDs in Series



Vishay Siliconix maintains worldwide manufacturing capability. Products may be manufactured at one of several qualified locations. Reliability data for Silicon Technology and Package Reliability represent a composite of all qualified locations. For related documents such as package/tape drawings, part marking, and reliability data, see <http://www.vishay.com/ppg?73193>.