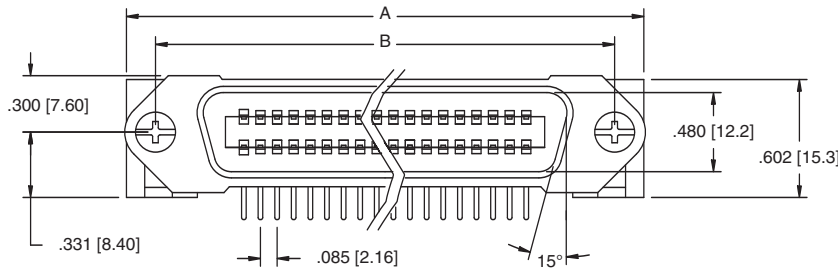
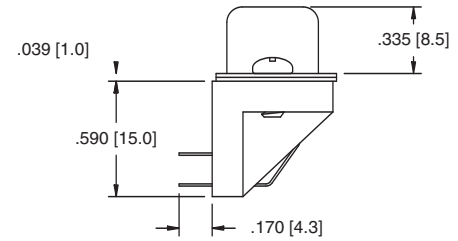
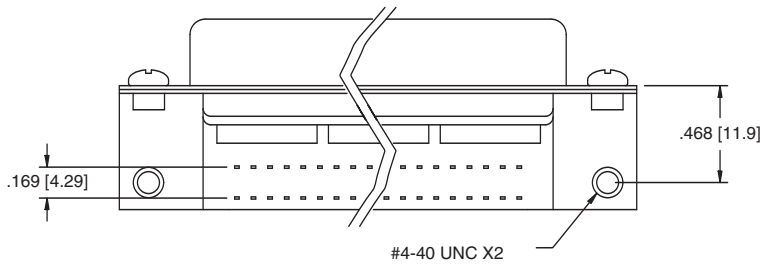


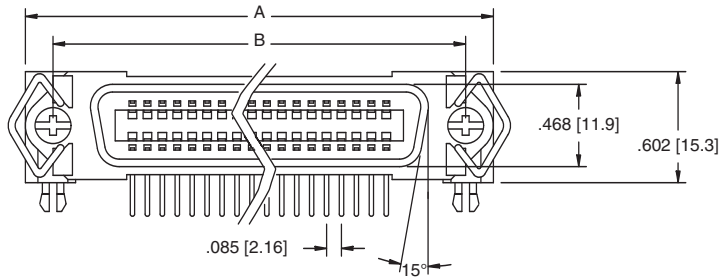
RIGHT ANGLE PCB - PLUG



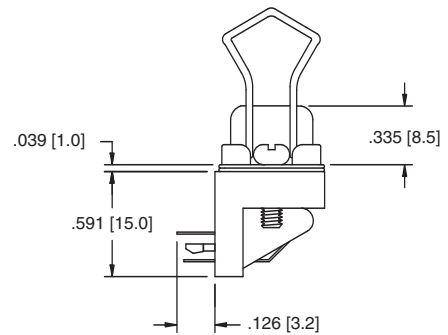
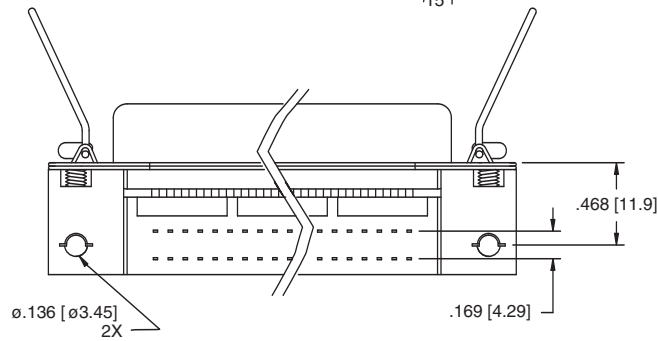
MR36-PD



RIGHT ANGLE PCB - SOCKET



MR36-SD-1-LI



Unit: Inch [mm]

| PART NO. | Dimensions | |
|--------------------|---------------|---------------|
| | A | B |
| MR14-SD MR14-PD | 1.750 [44.45] | 1.417 [35.99] |
| MR24-SD MR24-PD | 2.175 [55.25] | 1.842 [46.79] |
| MR36-SD MR36-PD | 2.685 [68.20] | 2.352 [59.74] |
| MR50-SD MR50-PD | 3.280 [83.31] | 2.947 [74.85] |

Recommended PCB Layout

