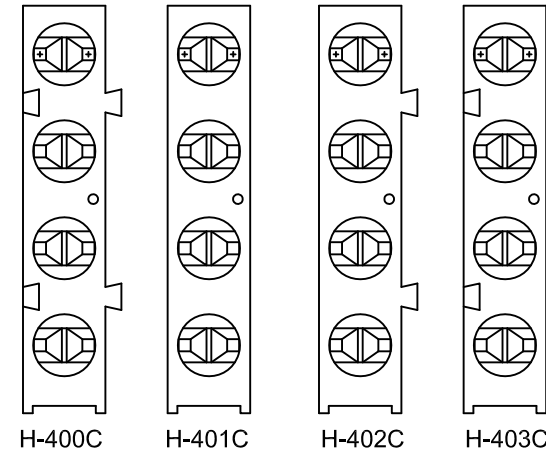
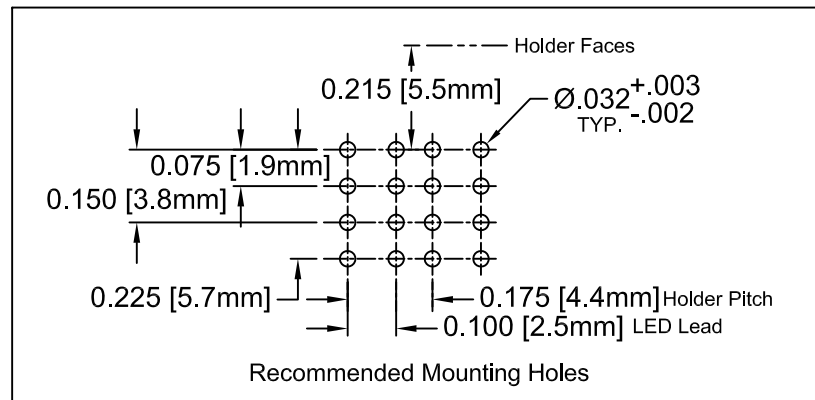
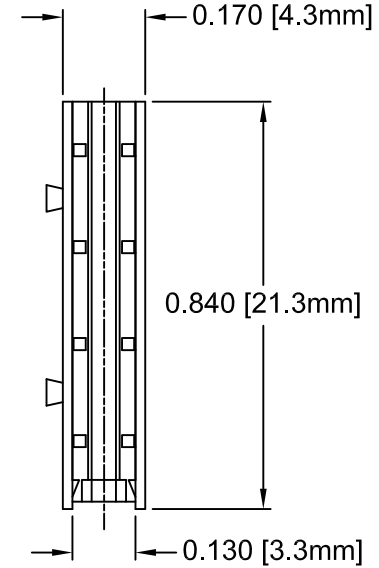
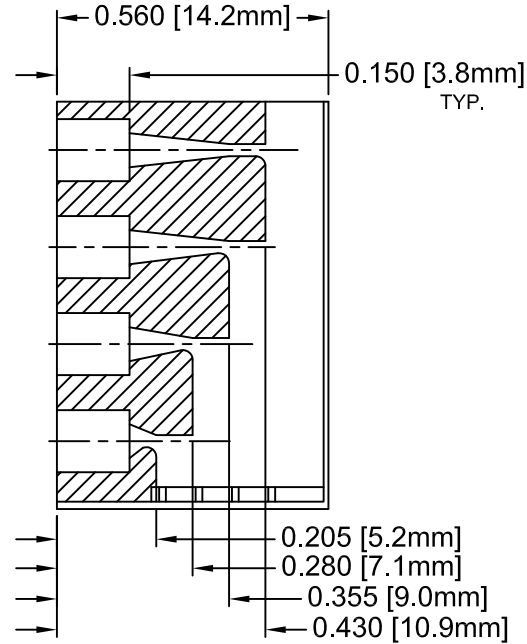
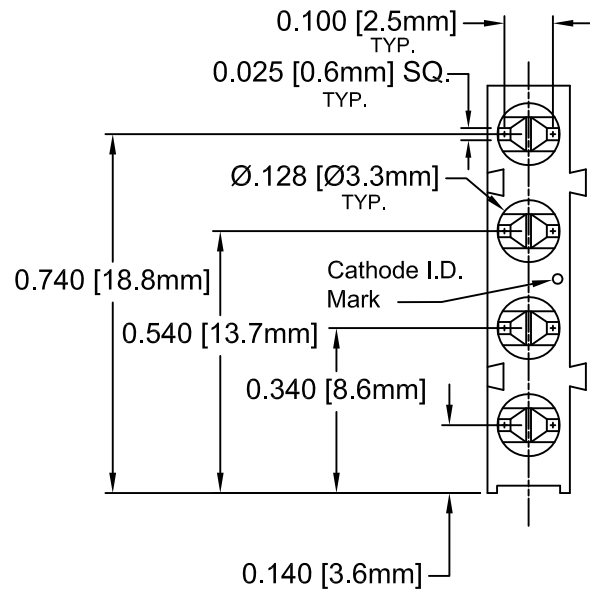


REV.	DESCRIPTION	DATE	APPROVED
B	Engineering Update w/o Changes	02/27/04	M. C.
C	Core Modification	02/26/08	M. C.
D	Corrected Conversion Error	03/03/08	M. C.
E	Removed Core Modification	08/05/09	T. Y.



2. MATERIAL: NYLON 6/6, 94V-0, BLACK. BIVAR MATERIAL CODE 22-BK.
RTP POLYAMIDE NYLON 6/6, 0200 FR, BLACK OR MODIFIED PLASTICS MN6/6-SE BK.
1. GENERAL SPECIFICATIONS: BIVAR MOLDED COMPONENT SPECIFICATION BV00-E101.

STANDARD TOLERANCE (UNLESS OTHERWISE SPECIFIED)		BIVAR [®]	
		4 THOMAS, IRVINE, CA. 92618	
		TEL: (949) 951-8808 FAX: (949) 951-3974	
DECIMALS .X ±.1 .XX ±.01 .XXX ±.005		ANGULAR X° ± 1°	TITLE: QUAD-LEVEL T-1 (3mm) LED HOLDER INTERLOCKING
DESIGNED: David Green	DATE: 04/15/03	PART NO: H-40XC	REVISION: E
CHECKED: M. Chen	DATE: 04/15/03	CAGE CODE : 32559	SHEET # 1 OF 1
CAD GENERATED DOCUMENT, DO NOT MEASURE DRAWING.			