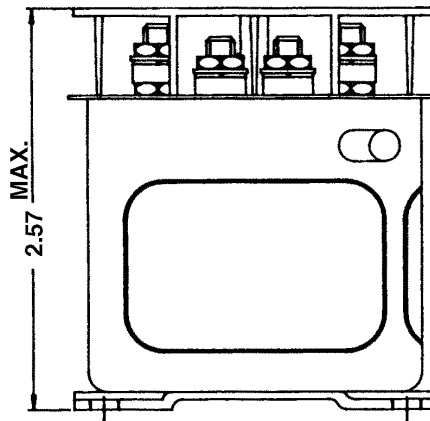
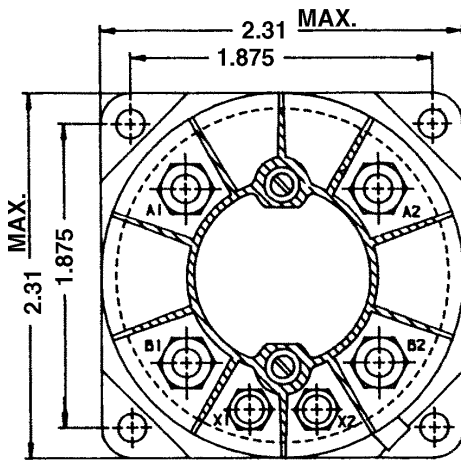


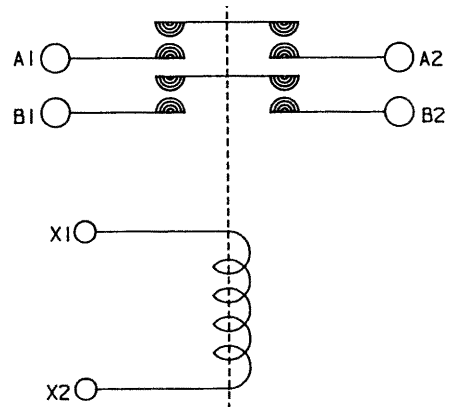
**C-28 2PST N.O.,
25 Amps, 40 VDC**

Features:

- 2PST N.O. Main Contacts
- Latching
- Manual and Electrical Reset
- 40 VDC
- 25 Amps
- High Reliability
- Meets many requirements of MIL-R-6106
- Light Weight Construction



CONTACTOR CONFIGURATION



Notes:

Dimensions for this product are expressed in inches. Multiply values by 25.4 for millimeters.

PRODUCT SPECIFICATIONS	
Construction	Gasket Sealed, Vented
Main Contacts:	
Configuration	2PST
Voltage (Nominal)	40 VDC
Current (Resistive)	25 Amps
Coil Data:	
Duty Cycle	Continuous
Voltage (Nominal)	28 - 40 VDC
Pick-Up Voltage	<28 VDC
Drop-Out Voltage	1>12 VDC
Coil Current @ 40 VDC & +25°C	
In-Rush	.154 Amp
Hold	.154 Amp
Operating Temperature	-55°C to +71°C
Life:	
Electrical	25,000 Cycles
Mechanical	50,000 Cycles
Weight Maximum	7.2 Oz.

For factory-direct application assistance, contact the HARTMAN product team at (419) 521-9500, Fax (419) 526-2749.

© 2004 by Tyco Electronics Corporation. All Rights Reserved. HARTMAN and TYCO are trademarks.