

BRIGHT LED ELECTRONICS CORP.

LED LAMPS SPECIFICATION

●COMMODITY : T-1 3/4 Standard 1.0"Lead, 5 φ

●DEVICE NUMBER : BL-BG43J4

VERSION : 1.2 / 1999.10.19

●ELECTRICAL AND OPTICAL CHARACTERISTICS (Ta=25°C)

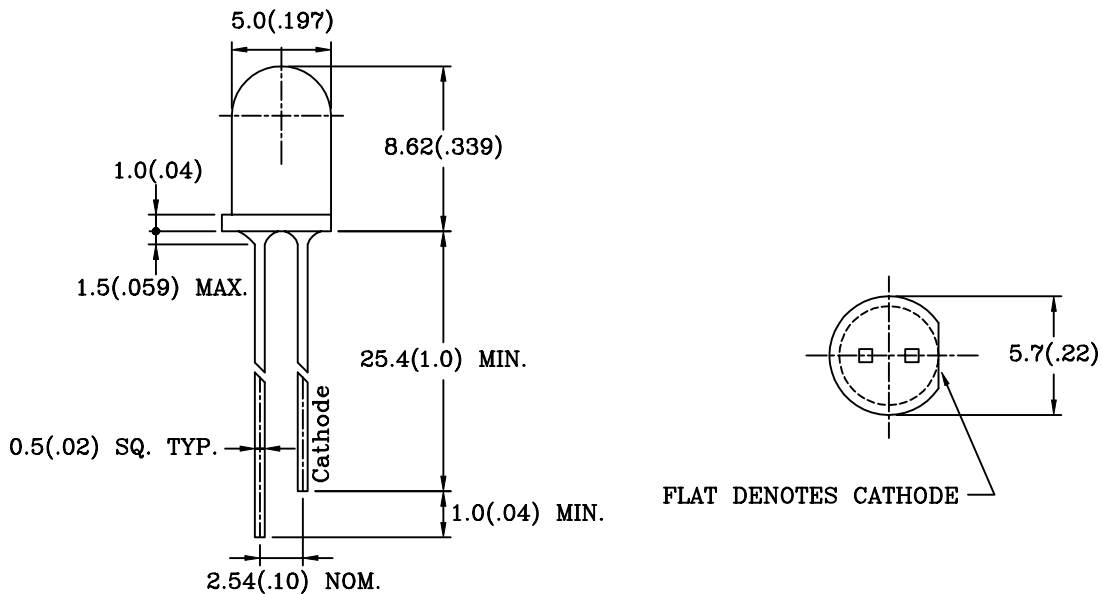
| Chip | | Lens Appearance | Absolute Maximum Rating | | | | Electro-optical Data (At 20mA) | | | Viewing Angle 2θ 1/2 (deg) |
|---------------|-----------------------------|--------------------|-------------------------|------------|------------|-------------|--------------------------------|------|------------------|----------------------------------|
| Emitted Color | Peak Wave Length λ P(nm) | | Δ λ (nm) | Pd (mW) | If (mA) | Peak If(mA) | Vf(V) | | Iv Typ. (mcd) | |
| | | | | | | | Typ. | Max. | | |
| Blue Green | 502 | Water Clear | 30 | 110 | 30 | 100 | 3.5 | 4.0 | 1800 | 12 |

Remark : Viewing angle is the Off-axis angle at which the luminous intensity is half the axial luminous intensity.

●ABSOLUTE MAXIMUM RATINGS (Ta=25°C)

Reverse Voltage 5V
 Reverse Current (-Vr=5V) 100μA
 Operating Temperature Range -40°C ~ 85°C
 Storage Temperature Range -40°C ~ 85°C
 Lead Soldering Temperature 260°C For 5 Seconds

●PACKAGE DIMENSIONS



NOTES: 1.All dimensions are in millimeters (inches).

2.Tolerance is ± 0.25mm (0.01") unless otherwise specified.

3.Lead spacing is measured where the leads emerge from the package.

4.Specifications are subject to change without notice.

RELEASED :

ENGINEER :