



BK1080

Specifications

Beken Internal Data — Signed NDA Required for Distribution

FM Receiver IC

Beken Corporation
Suite 303-304, No.10, 198 Zhangheng Road Zhangjiang High Tech Park,
Pudong New District, Shanghai 201204, China
PHONE: (86)21 6160 9676/7/8
FAX: (86)21 6160 9679

This document contains information that may be proprietary to, and/or secrets of, Beken Corporation. The contents of this document should not be disclosed outside the companies without specific written permission.

Disclaimer: Descriptions of specific implementations are for illustrative purpose only, actual hardware implementation may differ.



Content

1 General Description 3

2 Features 3

3 Applications 3

4 Chip Block Diagram 4

5 Pin Assignment 5

6 Functional Description 12

 6.1 FM Receiver 12

 6.2 Interface bus 12

 6.3 Stereo audio processing 13

 6.4 Tuning System 14

 6.5 Software Tuning System 15

 6.6 GPIO output 15

 6.7 Reference clock 15

 6.8 Initialization Sequence 15

7 Design Specification 17

 7.1 Recommended Operating Conditions 17

 7.2 Power Consumption Specification 17

 7.3 Receiver Characteristics 17

 7.4 I2C Control Interface Characteristics 19

 7.5 3-Wire Control Interface Characteristics 20

8 Register definition 21

9 Typical Application Schematic 26

10 Package information 30

11 Order information 33

1 General Description

The BK1080 FM receiver employs a low-IF architecture, mixed signal image rejection and all digital demodulation technology. The station scan of BK1080 searches radio stations based on both the channel RSSI estimation and signal quality assessment, increases the number of receivable stations while avoids false stops. BK1080 enables FM radio reception with low power, small board space and minimum number of external components.

All functions are controlled through a simple 3-wire serial interface or I2C serial interface. The device operates from a power supply of 2.7 – 5.5 volts.

The BK1080 is available in both 24-pin 4x4 mm QFN and SOP16 package.

2 Features

- Support 65~108 MHz band
- Automatic gain control
- Automatic frequency control
- Seek tuning
- Receive signal strength indicator
- Channel quality assessment
- Stereo decoder
- Automatic stereo/mono switching
- Automatic noise suppression
- 50us/75us de-emphasis
- 2.5 ~ 5.5 V supply voltage
- Wide range reference clock supported
- 32.768KHz crystal oscillator
- I2C and 3-wires control interface
- 4x4 mm 24-pin QFN package or SOP16-pin package

3 Applications

- Cellular handset
- MP3 player
- PDAs and notebook

4 Chip Block Diagram

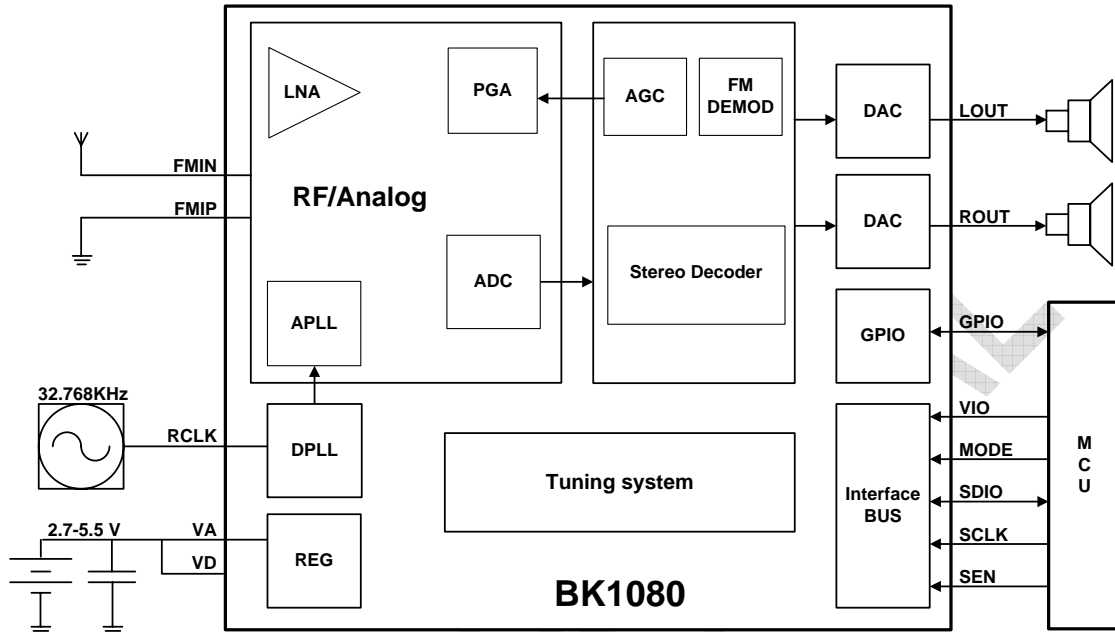


Figure 1 Chip Block Diagram

5 Pin Assignment

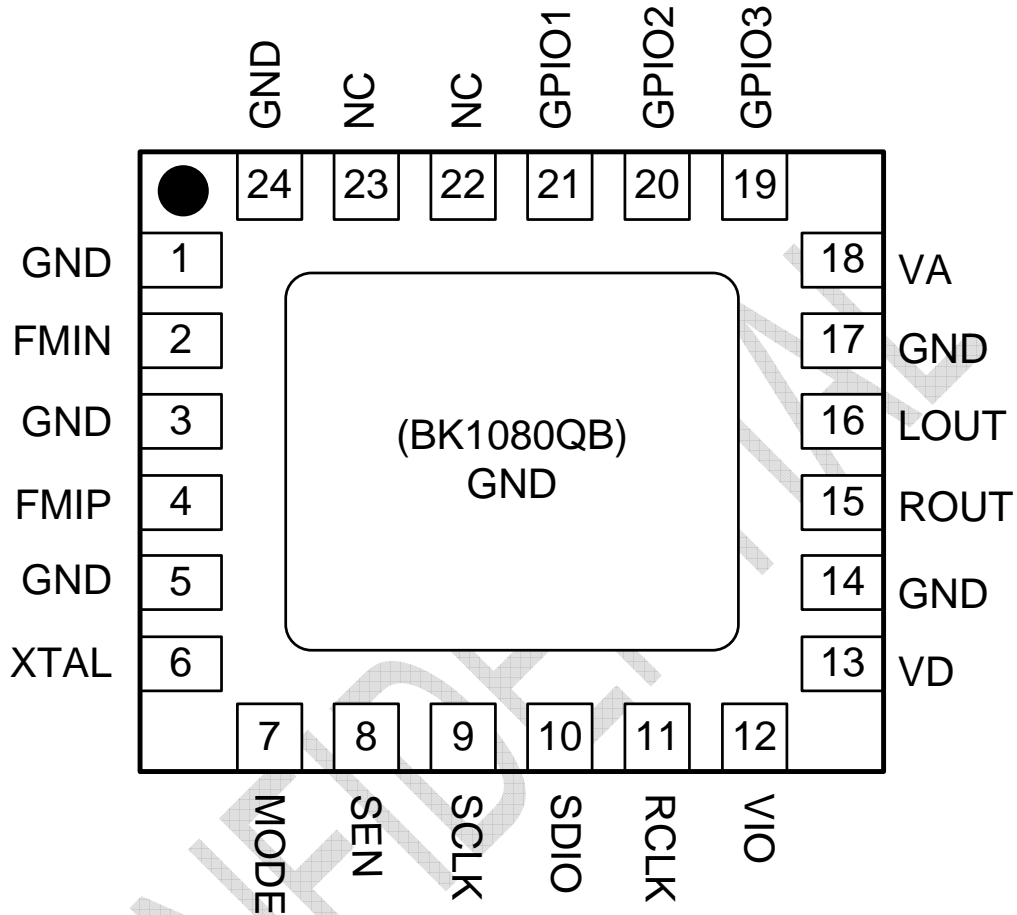


Figure 2 Pin Assignment for BK1080QB QFN24 4x4 mm package (top view)

Table 1 BK1080 QFN24 pin assignment

package Pin #	Name	Type	Description
1	GND	GND	RF ground.
2	FMIN ^[1]	RF	FM RF input negative port.
3	GND	GND	RF ground.
4	FMIP ^[1]	RF	FM RF input positive port.
5	GND	GND	I/O ground.
6	XTAL ^[2]	I/O	Crystal oscillator input when use on-chip crystal. (used with RCLK together)
7	MODE	I/O	Control Interface Select I2C interface is selected when the MODE pin is low



BK1080

FM Receiver

3-wire interface is selected when the MODE pin is high			
8	SEN	I/O	Serial communications enable. (active low)
9	SCLK	I/O	Clock for Serial communications.
10	SDIO	I/O	Serial data input/output.
11	RCLK	I/O	External reference oscillator input.
12	VIO	P	Power supply for I/O.
13	VD	P	Power supply for digital.
14	GND	GND	Digital ground.
15	ROUT	AC	Right audio output.
16	LOUT	AC	Left audio output.
17	GND	GND	Analog ground.
18	VA	P	Power supply for analog.
19	GPIO3	I/O	General purpose input/output.
20	GPIO2	I/O	General purpose input/output.
21	GPIO1	I/O	General purpose input/output.
22	NC		Not connect.
23	NC		Not connect.
24	GND	GND	IF ground.

Note:

1. For single-ended input, one of FMIN and FMIP should be connected to ground
2. When use external reference oscillator, XTAL connect to ground or floating

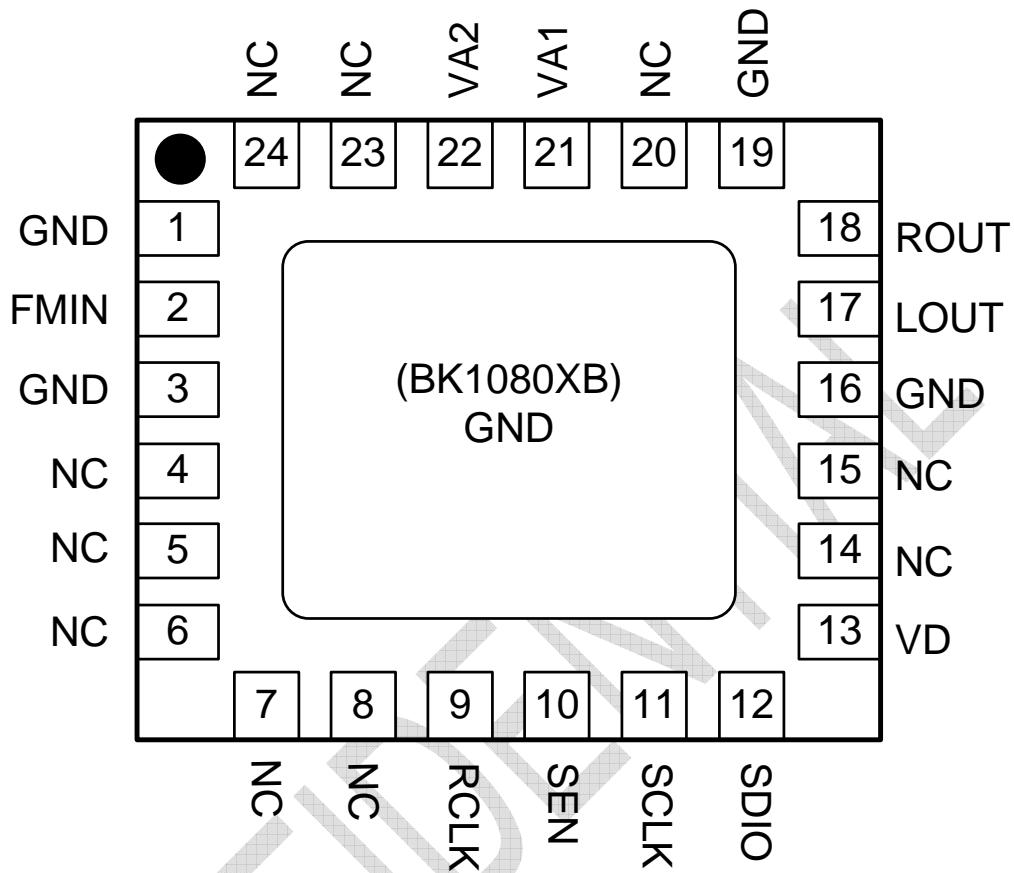


Figure 3 Pin Assignment for BK1080XB QFN24 4x4 mm package (top view)

Table 2 BK1080XB QFN24 pin assignment

package Pin #	Name	Type	Description
1	GND	GND	RF ground.
2	FMIN	RF	FM RF input negative port.
3	GND	GND	RF ground.
4	NC		Not connect.
5	NC		Not connect.
6	NC		Not connect.
7	NC		Not connect.
8	NC		Not connect.
9	RCLK ^[3]	I/O	External reference clock or crystal oscillator input.
10	SEN	I/O	Serial communications enable. (active low)
11	SCLK	I/O	Clock for Serial communications.



BK1080

FM Receiver

12	SDIO	I/O	Serial data input/output.
13	VD	P	Power supply for digital and I/O.
14	NC		Not connect.
15	NC		Not connect.
16	GND	GND	Analog ground.
17	LOUT	AC	Left audio output.
18	ROUT	AC	Right audio output.
19	GND	GND	Analog ground.
20	NC		Not connect.
21	VA1	P	Power supply for analog.
22	VA2	P	Power supply for analog.
23	NC		Not connect.
24	NC		Not connect.

CONFIDENTIAL

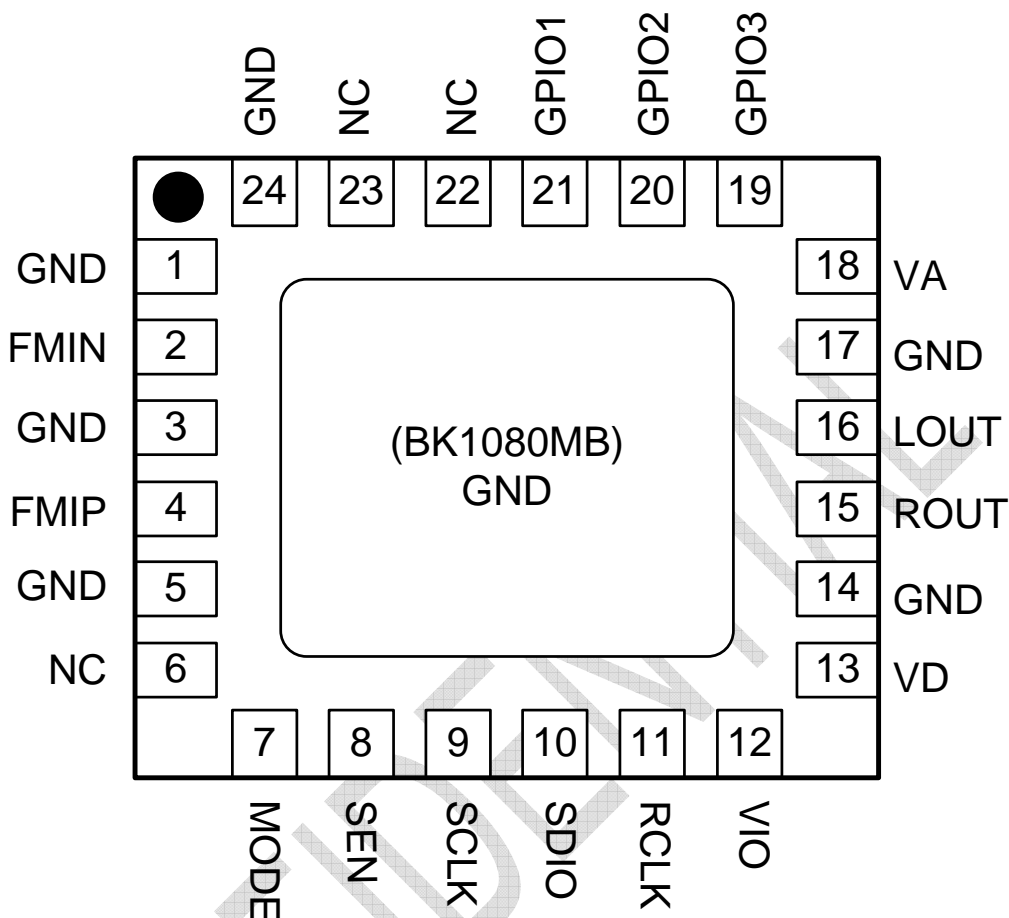


Figure 4 Pin Assignment for BK1080MB QFN24 4x4 mm package (top view)

Table 3 BK1080MB QFN24 pin assignment

package Pin #	Name	Type	Description
1	GND	GND	RF ground.
2	FMIN ^[1]	RF	FM RF input negative port.
3	GND	GND	RF ground.
4	FMIP ^[1]	RF	FM RF input positive port.
5	GND	GND	I/O ground.
6	NC		Not connect.
7	MODE	I/O	Control Interface Select I2C interface is selected when the MODE pin is low 3-wire interface is selected when the MODE pin is high
8	SEN	I/O	Serial communications enable. (active low)
9	SCLK	I/O	Clock for Serial communications.



BK1080

FM Receiver

10	SDIO	I/O	Serial data input/output.
11	RCLK	I/O	External reference clock input or crystal input
12	VIO	P	Power supply for I/O.
13	VD	P	Power supply for digital.
14	GND	GND	Digital ground.
15	ROUT	AC	Right audio output.
16	LOUT	AC	Left audio output.
17	GND	GND	Analog ground.
18	VA	P	Power supply for analog.
19	GPIO3	I/O	General purpose input/output.
20	GPIO2	I/O	General purpose input/output.
21	GPIO1	I/O	General purpose input/output.
22	NC		Not connect.
23	NC		Not connect.
24	GND	GND	IF ground.

Note:

1. For single-ended input, one of FMIN and FMIP should be connected to ground

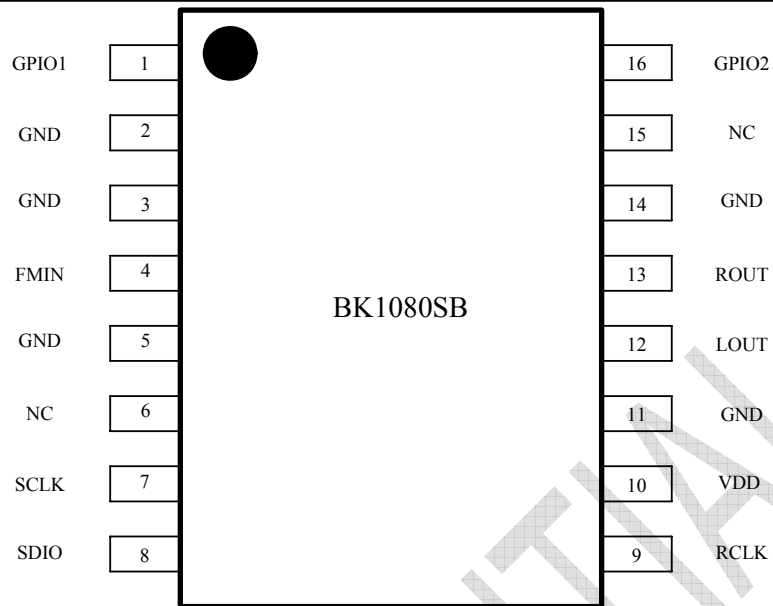


Figure 5 Pin Assignment for BK1080SB SOP16 package (top view)

Table 4 BK1080SB SOP16 pin assignment

package Pin #	Name	Type	Description
1	GPIO1	I/O	General purpose input/output.
2	GND	GND	RF ground.
3	GND	GND	RF ground.
4	FMIN	RF	FM RF input negative port.
5	GND	GND	RF ground.
6	NC	I/O	No connection
7	SCLK	I/O	Clock for Serial communications.
8	SDIO	I/O	Serial data input/output.
9	RCLK	I/O	External reference clock or crystal oscillator
10	VDD	P	Power supply for digital and I/O.
11	GND	GND	Digital ground.
12	LOUT	AC	Left audio output.
13	ROUT	AC	Right audio output.
14	GND	GND	Analog ground.
15	VA	P	Power supply for analog.
16	GPIO2	I/O	General purpose input/output.

6 Functional Description

6.1 FM Receiver

The receiver employs a digital low-IF architecture that reduces external components, and integrates a low noise amplifier (LNA) supporting the worldwide FM broadcast band (65 to 108MHz), an automatic gain control (AGC) circuit controls the gain of the LNA to optimize sensitivity and rejection of strong interferers, an image-reject mixer down converts the RF signal to low-IF, The mixer output is amplified by a programmable gain control (PGA), and digitized by a high resolution analog-to-digital converters (ADCs). An audio DSP finishes the channel selection, FM demodulation, stereo MPX decoder and output audio signal. The MPX decoder can autonomous switch from stereo to mono to limit the output noise.

6.2 Interface bus

The BK1080 supports 3-wire and I²C control interface, with up to 2.5 MHz clock speed. User could select either of them by setting the state of MODE pin. BK1080 will use I²C interface for MODE=0 or 3-wire interface for MODE=1. Note that BK1080XB and BK1080SB package only support I²C interface mode.

BK1080 always latches data at the rising edge of SCLK and outputs its data at the falling edge of SCLK. For MCU, data should be always written at the falling edge of SCLK, and read out at the rising edge of SCLK.

6.2.1 3-wire bus mode

When selecting 3-wire mode, user must set MODE = 1.

3-wire bus mode uses SCLK, SDIO and SEN pins. A transaction begins when user drives SEN low. Next, user drives an 8-bit command serially on SDIO, which is captured by BK1080 on rising edges of SCLK. The command consists of a 7-bit start register address, followed by a read/write bit (read = 1, write = 0).

6.2.2 I²C bus mode

When selecting I²C mode, user must set MODE = 0.

I²C bus mode only uses SCLK and SDIO pins. A transaction begins with the start condition, which occurs when SDIO falls while SCLK is high. Next, user drives an 8-bit device ID serially on SDIO, which is captured by BK1080 at the rising edge of SCLK. The device ID of BK1080 is 0x80.

After driving the device ID, user drives an 8-bit control word on SDIO. The control word consists of a 7-bit start register address, followed by a read/write bit (read = 1, write = 0).

For I²C host reading, the host must give an ACK to BK1080 after each byte access, and should give a NACK to BK1080 after last byte read out. For stable communication, the rising edge time of SCLK should be less than 200ns.

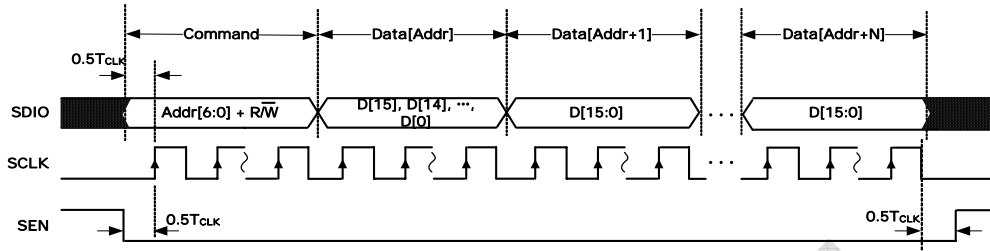


Figure 6 3-wire Interface Diagram

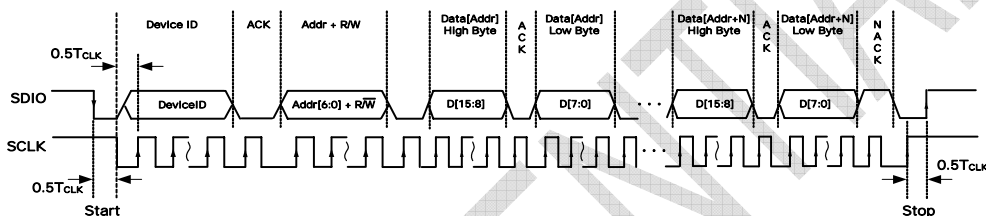


Figure 7 I2C Interface Diagram

6.3 Stereo audio processing

The output of the FM demodulator is a stereo multiplexed (MPX) signal. MPX signal format consists of left + right (L+R) audio, left -right (L-R) audio, a 19 kHz pilot tone.

The BK1080 has integrated stereo decoder automatically decodes the MPX signal. The 0 to 15 kHz (L+R) signal is the mono output of the FM tuner. Stereo is generated from the (L+R), (L-R), and a 19 kHz pilot tone. The pilot tone is used as a reference to recover the (L-R) signal. Separate left and right channels are obtained by adding and subtracting the (L+R) and (L-R) signals, respectively. Adaptive noise suppression is employed to gradually combine the stereo left and right audio channels to a

mono (L+R) audio signal as the signal quality degrades to maintain optimum sound fidelity under varying reception conditions. The signal level range over which the stereo to mono blending occurs can be adjusted by setting the BLNDADJ [1:0] register. Stereo/mono status can be monitored with the ST register bit and mono operation can be forced with the MONO register bit.

BK1080 uses pre-emphasis and de-emphasis to improve the signal-to-noise ratio of FM receivers by reducing the effects of high frequency interference and noise. When the FM signal is transmitted, a pre-emphasis filter is applied to accentuate the high audio frequencies. All FM receivers incorporate a de-emphasis filter which attenuates high frequencies to restore a flat frequency response. Two time



constants, 50 or 75 μ s, are used in various regions. The de-emphasis time constant is programmable with the DE bit. High-fidelity stereo digital-to-analog converters (DACs) drive analog audio signals onto the LOUT and ROUT pins. The audio output may be muted with the DMUTE bit. Volume can be adjusted digitally with the VOLUME [3:0] bits. The soft mute feature is available to attenuate the audio outputs and minimize audible noise in very weak signal conditions. The soft mute attack and decay rate can be adjusted with the SMUTER [1:0] bits where 00 is the fastest setting. The soft mute attenuation level can be adjusted with the SMUTEA [1:0] bits where 00 is the most attenuated. The soft mute disable (DSMUTE) bit may be set high to disable this feature.

6.4 Tuning System

Channel spacing of 50, 100 or 200 kHz is selected with bits SPACE [1:0]. The channel is selected with bits CHAN [9:0]. The bottom of the band is set to 76 MHz or 87.5 MHz with the bits BAND [1:0]. The tuning operation begins by setting the TUNE bit. After tuning completes, the seek/tune complete (STC) bit will be set and the RSSI level is available by reading bits RSSI [7:0]. The TUNE bit must be set low after the STC bit is set high in order to complete the tune operation and clear the STC bit. Seek tuning searches up or down for a channel with an RSSI greater than or equal to the seek threshold set with the SEEKTH [7:0] bits. In addition, an optional SNR and/or impulse noise detector may be used to qualify valid stations. The SKSNR [3:0] bits set the SNR threshold required. The SKCNT [3:0] bits set the

impulse noise threshold. Using the extra seek qualifiers can reduce false stops and, in combination with lowering the RSSI seek threshold, increase the number of found stations. The SNR and impulse noise detectors are disabled by default. Two seek modes are available. When the seek mode (SKMODE) bit is low and a seek is initiated, the device seeks through the band, wraps from one band edge to the other, and continues seeking. If the seek operation was unable to find a channel, the seek failure/band limit (SF/BL) bit will be set high and the device will return to the channel selected before the seek operation began. When the SKMODE bit is high and a seek is initiated, the device seeks through the band until the band limit is reached and the SF/BL bit will be set high. A seek operation is initiated by setting the SEEK and SEEKUP bits. After the seek operation completes, the STC bit will be set, and the RSSI level and tuned channel are available by reading bits RSSI [7:0] and bits READCHAN [9:0]. During a seek operation READCHAN [9:0] is also updated and may be read to determine seek progress. The STC bit will be set after the seek operation completes. The channel is valid if the seek operation completes and the SF/BL bit is set low. At other times, such as before a seek operation or after a seek completes and the SF/BL bit is set high, the channel is valid if the AFC Rail (AFCRL) bit is set low and the value of RSSI [7:0] is greater than or equal to SEEKTH [7:0]. Note that if the AFCRL bit is set, the audio output is muted as in the soft mute case discussed in stereo audio processing section. The SEEK bit must be set low after the STC bit is set high in order to complete the seek operation and clear the STC and SF/BL bits. The seek operation may be aborted



by setting the SEEK bit low at any time. The device can be configured to generate an interrupt on GPIO2 when a tune or seek operation completes. Setting the seek/tune complete (STCIEN) bit and GPIO2 [1:0] = 01 will configure GPIO2 for a 5 ms low interrupt when the STC bit is set by the device.

6.5 Software Tuning System

The BK8010 also supports the software seek by tuning and judging every channels from MCU. The operation begins by setting the TUNE bit after tuning completes, the seek/tune complete (STC) bit will be set and the RSSI, SNR, IMPC and FREQD level is available by reading bits RSSI [7:0], SNR[3:0], IMPC[3:0] and FREQD[11:0]. When all these parameters meet the thresholds which can be set by MCU, it is a right station.

6.6 GPIO output

The BK1080 has three GPIO pins. The function of GPIO pins could be programmed with bits GPIO1 [1:0], GPIO2 [1:0], GPIO3 [1:0], GPIO2/3 pins can be used as interrupt request pins for the seek/tune ready functions and as a stereo/mono indicator respectively. General purpose input/output functionality is available regardless of the state of the VA and VD supplies, or the ENABLE and DISABLE bits.

6.7 Reference clock

The BK1080 series accepts wide range, from 32.768 kHz to 38.4 MHz, reference

clock input to the RCLK pin. For frequency less than 4 MHz, it must be multiplier of 32.768K. The BK1080QB also support wide range crystal oscillator input with the XTAL and RCLK pins. The BK1080XB, BK1080MB, BK1080TB and the BK1080SB only support 32.768 kHz crystal input with single RCLK pin. Clock is required whenever the ENABLE bit is set high.

6.8 Initialization Sequence

To initialize BK1080:

1. Supply VIO.
2. Supply VA and VD. Note that VA and VD could be supplied at the same time of VIO supplied.
3. Provide RCLK.
4. Set the ENABLE bit high and the DISABLE bit low to power up BK1080.

To power down BK1080:

1. Set the ENABLE bit high and the DISABLE bit high to place BK1080 in power down mode. Note that all register states are maintained so long as VIO is supplied.
2. (Optional) Remove RCLK.
3. Remove VA and VD as needed.

To power up BK1080 (after power down):

1. Note that VIO is still supplied in this scenario. If VIO is not supplied, refer to BK1080 initialization procedure above.
2. Supply VA and VD.
3. Provide RCLK.
4. Set the ENABLE bit high and the DISABLE bit low to power up BK1080.

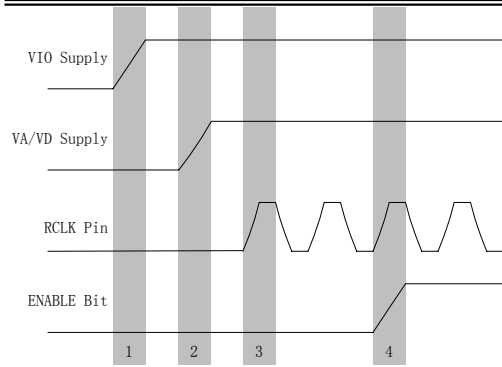


Figure 8 Initialization Sequence

CONFIDENTIAL

7 Design Specification

7.1 Recommended Operating Conditions

Table 5 Recommended Operating Conditions

Parameter	Symbol	Test Condition	Min	Typ	Max	Unit
Digital Supply Voltage	V_D		2.5	—	5.5	V
Analog Supply Voltage	V_A		2.5	—	5.5	V
Interface Supply Voltage	V_{IO}		1.6	—	3.6	V
Ambient Temperature	T_A		-20	25	85	°C

Notes:
 All minimum and maximum specifications are guaranteed and apply across the recommended operating conditions. Typical values apply at $V_D = V_A = 3.3$ V and 25 °C unless otherwise stated. Parameters are tested in production unless otherwise stated.
 For BK1080XB and BK1080SB package ,Supply Voltage range is 2.7V-3.6V

7.2 Power Consumption Specification

Table 6 Power Consumption Specification

Parameter	Symbol	Test Condition	Min	Typ	Max	Unit
Supply Current	I_S	ENABLE = 1 DISABLE = 0	—	20	22	mA
Power down Current	I_{PD}	ENABLE = 0 DISABLE = 1	—	10	20	μA
Interface Power down Current	I_{PIO}	SCLK, RCLK inactive ENABLE = 0	—	1.9	5	μA

7.3 Receiver Characteristics

Table 7 Receiver Characteristics

Parameter	Test Condition	Min	Typ	Max	Unit
Input Frequency [14]		64	—	108	MHz
Sensitivity[2, 3, 4,5]	(S+N)/N = 26 dB	—	1.5	2.5	μV EMF
LNA Input Resistance[7]		2.5	3	3.5	kΩ
Input IP3[8]		90	95	—	dBμV EMF
AM Suppression[2, 3, 4, 5, 7]	m = 0.3	40	45	—	dB
Adjacent Channel Selectivity	±200 kHz	40	50	—	dB
Alternate Channel Selectivity	±400 kHz	50	60	—	dB
Audio Output Voltage[2, 3, 4, 7]		—	100	—	mVRMS
Audio Stereo Separation[2, 4, 5, 7]		30	40	—	dB
Audio S/N[2, 3, 4, 5, 7, 13]		—	60	—	dB
Audio THD[2, 3, 5, 7, 10]		—	0.2	0.5	%
Audio Common Mode Voltage[12]	ENABLE = 1	1.1	1.2	1.3	V
Audio Output Load Resistance	Single-ended	—	32	—	Ω
Seek/Tune Time		—	—	60	ms/channel
RSSI Offset	Input levels of 8 and 50 dBμV at RF input	-3	—	3	dB



BK1080

FM Receiver

Notes:

1. Volume = maximum for all tests
2. $F_{MOD} = 1$ kHz, 75 μ s de-emphasis
3. MONO = 1, and L = R unless noted otherwise
4. $\Delta f = 22.5$ kHz
5. $B_{AF} = 300$ Hz to 15 kHz, A-weighted
6. Sensitivity without matching network
7. Measured at $V_{EMF} = 1$ mV, $f_{RF} = 76$ to 108 MHz
8. $|f_2 - f_1| > 1$ MHz, $f_0 = 2 \times f_1 - f_2$. AGC is disabled by setting AGCD = 1
9. The channel spacing is selected with the SPACE [1:0] bits
10. $\Delta f = 75$ kHz
11. The de-emphasis time constant is selected with the DE bit
12. At LOUT and ROUT pins
13. Guaranteed by reference clock performance
14. For BK1080QB, frequency range is 76MHz to 108MHz

CONFIDENTIAL

7.4 I2C Control Interface Characteristics

Table 8 I2C Control Interface Characteristics

Parameter	Symbol	Test Condition	Min	Typ	Max	Unit
SCLK Frequency	f_{SCL}		—	—	400	kHz
SCLK Low Time	t_{LOW}		1.3	—	—	μ s
SCLK High Time	t_{HIGH}		0.6	—	—	μ s
SCLK Input to SDIO \downarrow Setup (START)	$t_{SU:STA}$		0.6	—	—	μ s
SCLK Input to SDIO \downarrow Hold (START)	$t_{HD:STA}$		0.6	—	—	μ s
SDIO Input to SCLK \uparrow Setup	$t_{SU:DAT}$		100	—	—	ns
SDIO Input to SCLK \downarrow Hold	$t_{HD:DAT}$		—	—	900	ns
SCLK Input to SDIO \uparrow Setup (STOP)	$t_{SU:STO}$		0.6	—	—	μ s
STOP to START Time	t_{BUF}		1.3	—	—	μ s
SDIO Output Fall Time	$t_{F:OUT}$		—	—	250	ns
SDIO Input, SCLK Rise/Fall Time	$t_{F:IN}$ $t_{R:IN}$		—	—	200	ns
SCLK, SDIO Capacitive Loading	C_b		—	—	60	pF
Input Filter Pulse Suppression	t_{SP}		—	—	40	ns

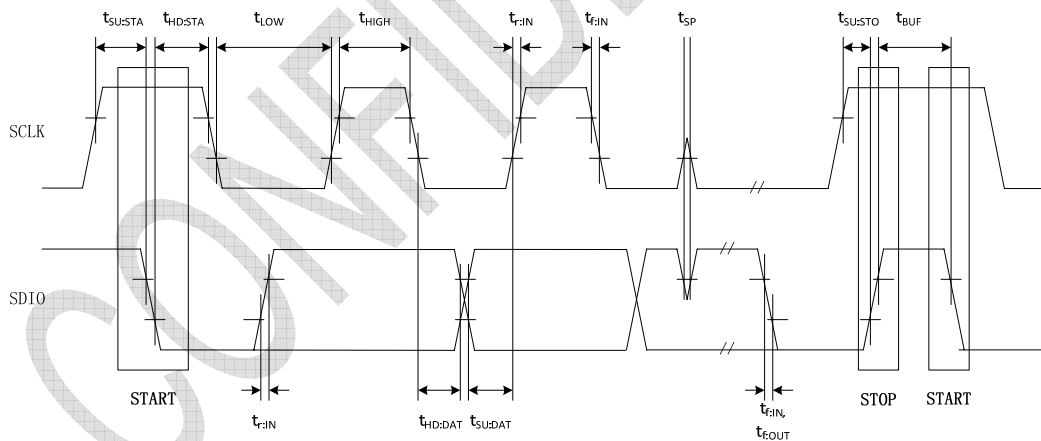
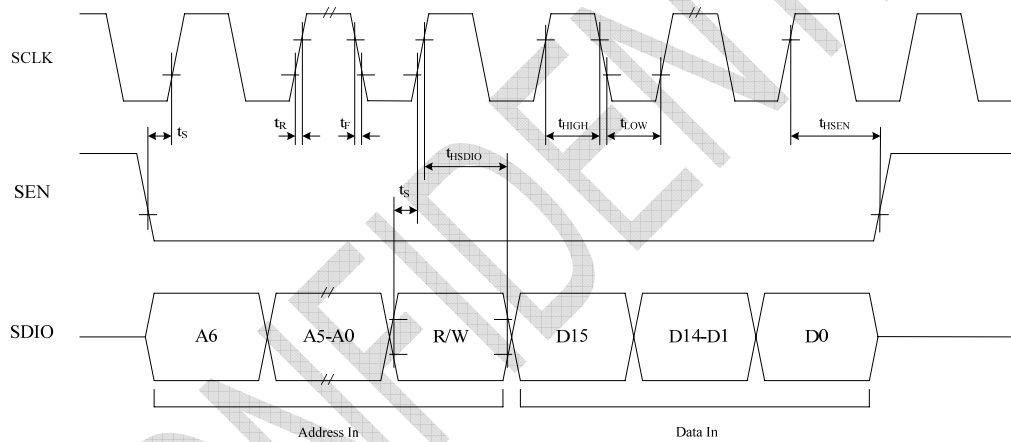
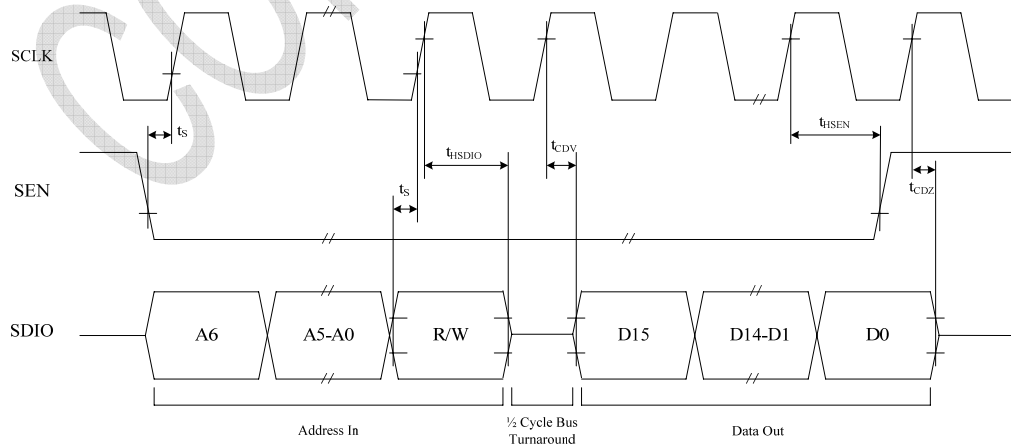


Figure 9 I2C Control Interface Read and Write Timing Diagram

7.5 3-Wire Control Interface Characteristics

Table 9 3-Wire Control Interface Characteristics

Parameter	Symbol	Test Condition	Min	Typ	Max	Unit
SCLK Frequency	f_{CLK}		0	—	2.5	MHz
SCLK High Time	t_{HIGH}		25	—	—	ns
SCLK Low Time	t_{LOW}		25	—	—	ns
SDIO Input, SEN to SCLK \uparrow Setup	t_s		20	—	—	ns
SDIO Input to SCLK \uparrow Hold	t_{HSDIO}		10	—	—	ns
SEN Input to SCLK \downarrow Hold	t_{HSEN}		10	—	—	ns
SCLK \uparrow to SDIO Output Valid	t_{CDV}	Read	2	—	25	ns
SCLK \uparrow to SDIO Output High Z	t_{CDZ}	Read	2	—	25	ns
SCLK, SEN, SDIO, Rise/Fall Time	t_R, t_F		—	—	10	ns


Figure 10 3-Wire Control Interface Write Timing Diagram

Figure 11 3-Wire Control Interface Read Timing Diagram

8 Register definition

Table 10 Register definition

Register Name	Address	Dir	Name	Bits	Default (Hex)	Description
REG0	00h	R	No Use, Default value: 0x0006			
				15:0	0x0006	Always 0
REG1	01h	R	No Use, Default value: 0x1080 for 2009 Jan. Release			
			Chip ID	15:0	0x1080	Different in different version
REG2	02h	R/W	Power configuration, Default value: 0x0000			
			DSMUTE	15	0	Soft mute Disable 0 = Soft mute enable (default) 1 = Soft mute disable
			MUTE	14	0	Mute 0 = Dismute (default) 1 = Mute
			MONO	13	0	Mono Select 0 = Stereo (default) 1 = Force mono
			CKSEL	12	0	Clock Select 0 = External clock 1 = Internal crystal oscillator
			Reserved	11	0	Reserved. Always write to 0
			SKMODE	10	0	Seek Mode 0 = Wrap at the upper or lower band limit and continue seeking (default) 1 = Stop seeking at the upper or lower band limit
			SEEKUP	9	0	Seek Direction. 0 = Seek down (default). 1 = Seek up.
			SEEK	8	0	Seek. 0 = Disable (default) 1 = Enable Notes: 1. Seek begins at the current channel, and goes in the direction specified with the SEEKUP bit. Seek operation stops when a channel is qualified as valid according to the seek parameters, the entire band has been searched (SKMODE = 0), or the upper or lower band limit has been reached (SKMODE = 1) 2. The STC bit is set high when the seek operation completes and/or the SF/BL bit is set high if the seek operation was unable to find a channel qualified as valid according to the seek parameters. The STC and SF/BL bits must be set low by setting the SEEK bit low before the next seek or tune may begin 3. Seek performance for 50 kHz channel spacing varies according to RCLK tolerance. Beken recommends ±50 ppm RCLK crystal tolerance for 50 kHz seek performance 4. A seek operation may be aborted by setting SEEK = 0
			Reserved	7	0	Reserved, always write to 0



BK1080

FM Receiver

Register Name	Address	Dir	Name	Bits	Default (Hex)	Description
			Disable	6	0	Power up disable
			Reserved	5:1	0	Reserved, always write to 0
			ENABLE	0	0	Power up Enable
REG3	03h	R/W	Channel. Default value: 0x0000			
			TUNE	15	0	Tune. 0 = Disable (default) 1 = Enable The tune operation begins when the TUNE bit is set high. The STC bit is set high when the tune operation completes. The STC bit must be set low by setting the TUNE bit low before the next tune or seek may begin
			Reserved	14:10	0	Reserved, always write to 0
			CHAN<9:0>	9:0	0	Channel Select Channel value for tune operation If BAND 05h[7:6] = 00, then Freq (MHz) = Spacing (kHz) x Channel + 87.5 MHz If BAND 05h[7:6] = 01, BAND 05h[7:6] = 10, then Freq (MHz) = Spacing (kHz) x Channel + 76 MHz CHAN[9:0] is not updated during a seek operation. READCHAN[9:0] provides the current tuned channel and is updated during a seek operation and after a seek or tune operation completes. Channel spacing is set with the bits SPACE 05h[5:4]
REG4	04h	R/W	System configuration 1. Default value: 0x0000			
			Reserved	15	0	Reserved, always write to 0
			STCIEN	14	0	Seek/Tune Complete Interrupt Enable 0 = Disable Interrupt (default) 1 = Enable Interrupt Setting STCIEN = 1 and GPIO2[1:0] = 01 will generate a 5 ms low pulse on GPIO2 when the STC 0Ah[14] bit is set
			DEBPS	13	0	Bypass De-emphasis filter 0: Enable 1: Bypass
			Reserved	12	0	Reserved, always write to 0
			DE	11	0	De-emphasis 0 = 75 μs. Used in USA (default) 1 = 50 μs. Used in Europe, Australia, Japan.
			AGCD	10	0	AGC Disable 0 = AGC enable (default) 1 = AGC disable
			Reserved	9:8	0	Reserved, always write to 0
			BLNDADJ<1:0>	7:6	0	Stereo/Mono Blend Level Adjustment Sets the RSSI range for stereo/mono blend 00 = 31–49 RSSI dBμV (default) 01 = 37–55 RSSI dBμV (+6 dB) 10 = 19–37 RSSI dBμV (–12 dB) 11 = 25–43 RSSI dBμV (–6 dB) ST bit set for RSSI values greater than low end of range



BK1080

v2.1

Register Name	Address	Dir	Name	Bits	Default (Hex)	Description
			GPIO3<1:0>	5:4	0	00 = High impedance (default) 01 = Mono/Stereo indicator (ST). The GPIO3 will output logic high when the device is in stereo, otherwise the device will output a logic low for mono 10 = Low 11 = High
			GPIO2<1:0>	3:2	0	00 = High impedance (default) 01 = STC interrupt. Logic high will be output unless an interrupt occurs as described below 10 = Low 11 = High Setting STCIEN = 1 will generate a 5 ms low pulse on GPIO2 when the STC 0Ah[14] bit is set.
			GPIO1<1:0>	1:0	0	00 = High impedance (default) 01 = Reserved 10 = Low 11 = High
REG5	05h	R/W	System configuration 2. Default value: 0x0000			
			SEEKTH<7:0>	15:8	0	RSSI Seek Threshold 0x00 = min RSSI (default) 0xFF = max RSSI SEEKTH presents the logarithmic RSSI threshold for the seek operation. The BK1080 will not validate channels with RSSI below the SEEKTH value. SEEKTH is one of multiple parameters that can be used to validate channels. For more information
			BAND<1:0>	7:6	0	Band Select 00 = 87.5–108 MHz (US/Europe, Default) 01 = 76–108 MHz (Japan wide band) 10 = 76–90 MHz (Japan) 11 = 64–76MHz (except BK1080QB)
			SPACE<1:0>	5:4	0	Channel Spacing 00 = 200 kHz (USA, Australia) (default) 01 = 100 kHz (Europe, Japan) 10 = 50 kHz
			VOLUME<3:0>	3:0	0	Volume 0000 = mute (default) 0001 = –28 dB FS :: 1110 = –2 dB FS 1111 = 0 dB FS FS = Full Scale Volume scale is logarithmic
REG6	06h	R/W	System configuration 3. Default value: 0x0000			
			SMUTER<1:0>	15:14	0	Soft mute Attack/Recover Rate 00 = fastest (default) 01 = fast 10 = slow 11 = slowest
			SMUTEA<1:0>	13:12	0	Soft mute Attenuation 00 = 16 dB (default) 01 = 14 dB 10 = 12 dB 11 = 10 dB
			Reserved	11:8	0	Reserved, always write to 0



BK1080

FM Receiver

Register Name	Address	Dir	Name	Bits	Default (Hex)	Description
			SKSNR<3:0>	7:4	0	Seek SNR Threshold 0000 = disabled (default) 0001 = min (most stops) 1111 = max (fewest stops) Required channel SNR for a valid seek channel
			SKCNT<3:0>	3:0	0	Seek FM Impulse Detection Threshold 0000 = disabled (default) 0001 = max 1111 = min Allowable number of FM impulses for a valid seek channel
REG7	07h	R/W	Test 1. Default value: 0x0000			
			FREQD[11:0]	[15:4]	0	Frequency deviation. 148Hz on bit
			SNR[3:0]	[3:0]	0	SNR value
REG8	08h	R/W	Test 2. Default value: 0x0000			
			Reserved	15		Reserved, always write to 0
			Reserved	14:0	0	Reserved If written, these bits should be read first and then written with their pre-existing values. Do not write during power up
REG9	09h	R/W	Boot configuration. Default value: 0x0000			
			Reserved	15:0	0	Reserved If written, these bits should be read first and then written with their pre-existing values. Do not write during power up
REG10	0Ah	R	RSSI Status. Default value: 0x0000			
			Reserved	15	0	Reserved, always write to 0
			STC	14	0	Seek/Tune Complete 0 = Not complete (default) 1 = Complete The seek/tune complete flag is set when the seek or tune operation completes. Setting the SEEK 02h[8] or TUNE 03h[15] bit low will clear STC
			SF/BL	13	0	Seek Fail/Band Limit 0 = Seek successful 1 = Seek failure/Band limit reached The SF/BL flag is set high when SKMODE 02h[10] = 0 and the seek operation fails to find a channel qualified as valid according to the seek parameters The SF/BL flag is set high when SKMODE 02h[10] = 1 and the upper or lower band limit has been reached The SEEK 02h[8] bit must be set low to clear SF/BL
			AFCRL	12	0	AFC Rail 0 = AFC not railed 1 = AFC railed, indicating an invalid channel. Audio output is soft muted when set AFCRL is updated after a tune or seek operation completes and indicates a valid or invalid channel. During normal operation, AFCRL is updated to reflect changing RF environments
			Reserved	11:10	0	Reserved, always write to 0



BK1080

v2.1

Register Name	Address	Dir	Name	Bits	Default (Hex)	Description
			STEN	9	0	Stereo Decoder Indicator 0 = Mono 1 = Stereo Indicate the demodulated signal status, mono or stereo. This status is also available on GPIO3 by setting GPIO3 [5:4] = 01
			ST	8	0	Stereo Indicator 0 = Mono 1 = Stereo Indicate the received signal status, mono or stereo
			RSSI<7:0>	7:0	0	RSSI (Received Signal Strength Indicator). RSSI is measured units of dBμV in 1 dB increments with a maximum of approximately 75 dBμV 0x00 = Minimum signal strength 0xFF = Maximum signal strength RSSI will not report RF levels above 75 dBμV
REG11	0Bh	R	Read channel. Default value: 0x0000			
			Reserved	15:14	0	Reserved, always write to 0
			IMPC[3:0]	13:10	0	Impulse counter
			READCHAN<9:0>	9:0	0	Read Channel. If BAND 05h[7:6] = 00, then Freq (MHz) = Spacing (kHz) x Channel + 87.5 MHz If BAND 05h[7:6] = 01, BAND 05h[7:6] = 10, then Freq (MHz) = Spacing (kHz) x Channel + 76 MHz READCHAN [9:0] provides the current tuned channel and is updated during a seek operation and after a seek or tune operation completes. Spacing and channel are set with the bits SPACE 05h [5:4] and CHAN 03h[9:0]
REG12	0Ch	R	Reserved			
			Reserved	15:0	0	Reserved, always write to 0
			Reserved			
REG13	0Dh	R	Reserved			
			Reserved	15:0	0	Reserved, always write to 0
			Reserved			
REG14	0Eh	R	Reserved			
			Reserved	15:0	0	Reserved, always write to 0
			Reserved			
REG15	0Fh	R	Reserved			
			Reserved	15:0	0	Reserved, always write to 0
			Reserved			
REG16-33	10h-1Fh	W	Internal test register, not visible for user. Initial value and procedure will be provided separately by BEKEN.			

9 Typical Application Schematic

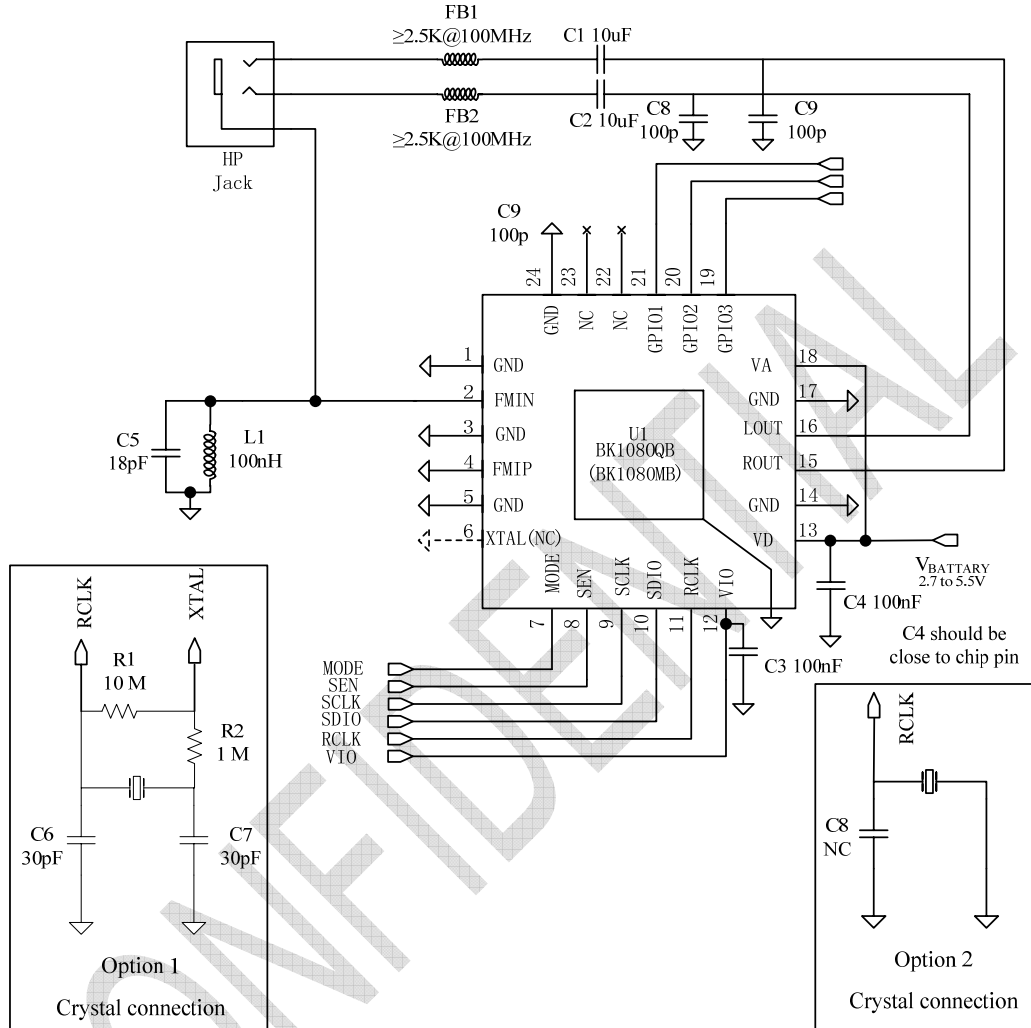


Figure 12. BK1080QB (BK1080MB) with Single-ended Input Application

Notes:

1. J1: Common 32Ω resistance headphone.
2. U1: BK1080QB (BK1080MB) chip.
3. FM choke (L1 and C5) for LNA input match with the headphone.
4. Pin NC (22, 23) should be leaved floating.
5. Place C3 and C4 close to chip pin.
6. When BK1080QB use crystal to generate the reference clock, please refer to the option1;For BK1080MB ,please refer to option2
7. All grounds connect directly to GND plane on PCB.
8. Keep the FMIP trace as short as possible.
9. Keep the wire from FMIN to headphone as short as possible and must put it on the surface of the PCB.

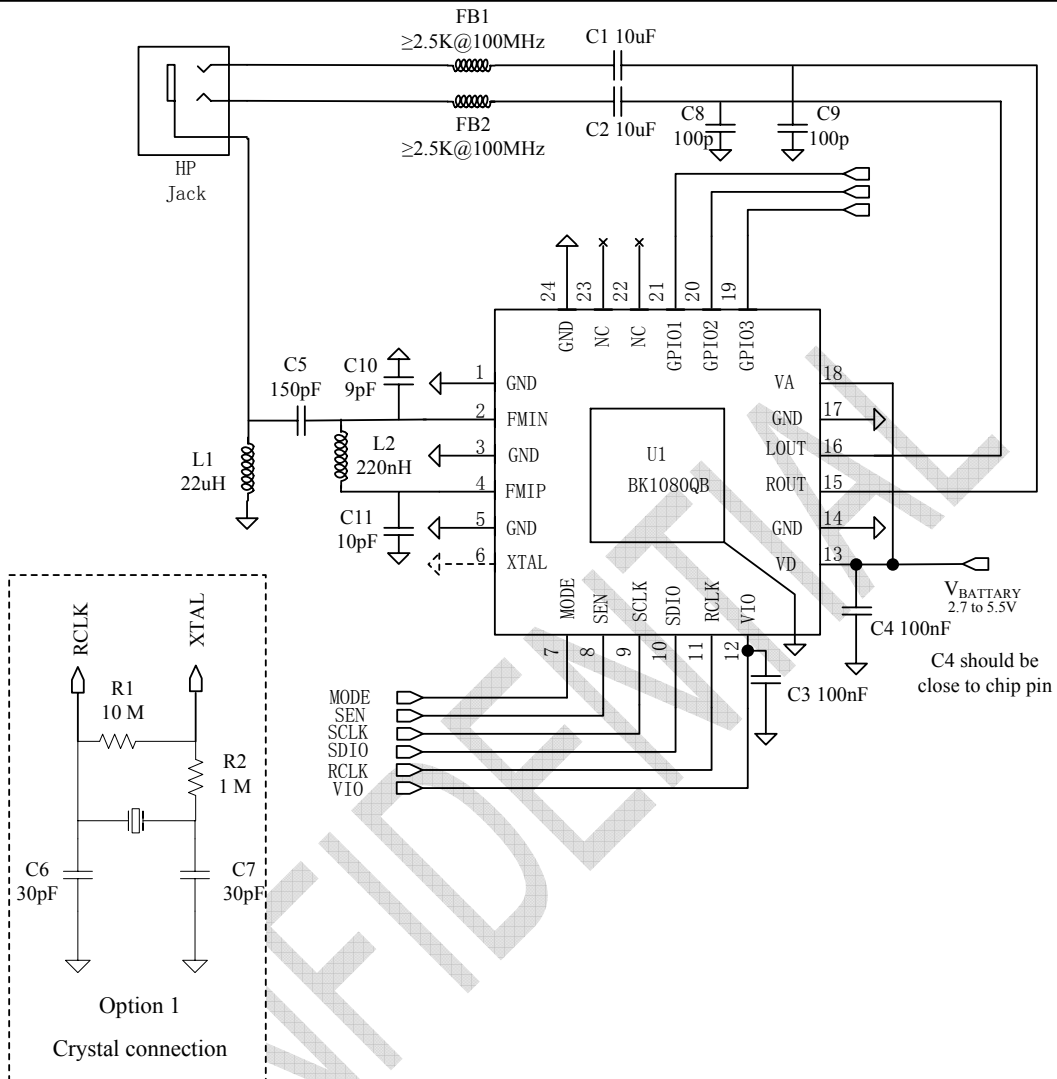


Figure 13. BK1080QB with Differential Input Application

Notes:

1. J1: Common 32Ω resistance headphone.
2. U1: BK1080QB chip.
3. Pin NC (22, 23) should be leaved floating.
4. Place C3 and C4 close to chip pin.
5. When use crystal to generate the reference clock, please refer to the option 1(Crystal connection).
6. All grounds connect directly to GND plane on PCB.
7. Keep the FMIN trace as short as possible.
8. Keep the wire from FMIN to headphone as short as possible and must put it on the surface of the PCB.
9. Application with differential input improved system sensitivity 3dB.

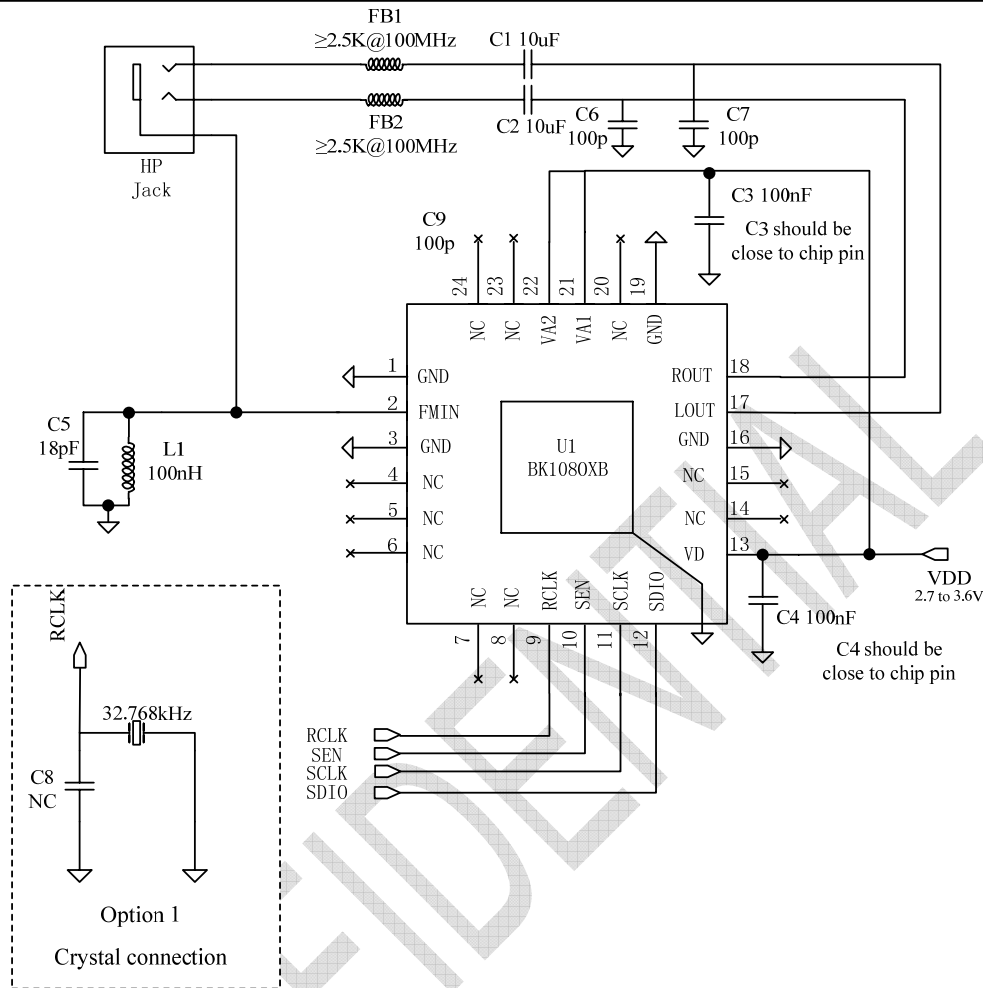


Figure 14. BK1080XB with Single-ended Input Application

Notes:

1. J1: Common 32Ω resistance headphone.
2. U1: BK1080XB chip.
3. FM choke (L1 and C5) for LNA input match with the headphone.
4. All NC pin should be leaved floating.
5. When use crystal to generate the reference clock, please refer to the option 1(Crystal connection).
6. Place C3 and C4 close to chip pins.
7. All grounds connect directly to GND plane on PCB.
8. Keep the wire from FMIN to headphone as short as possible and must put it on the surface of the PCB.

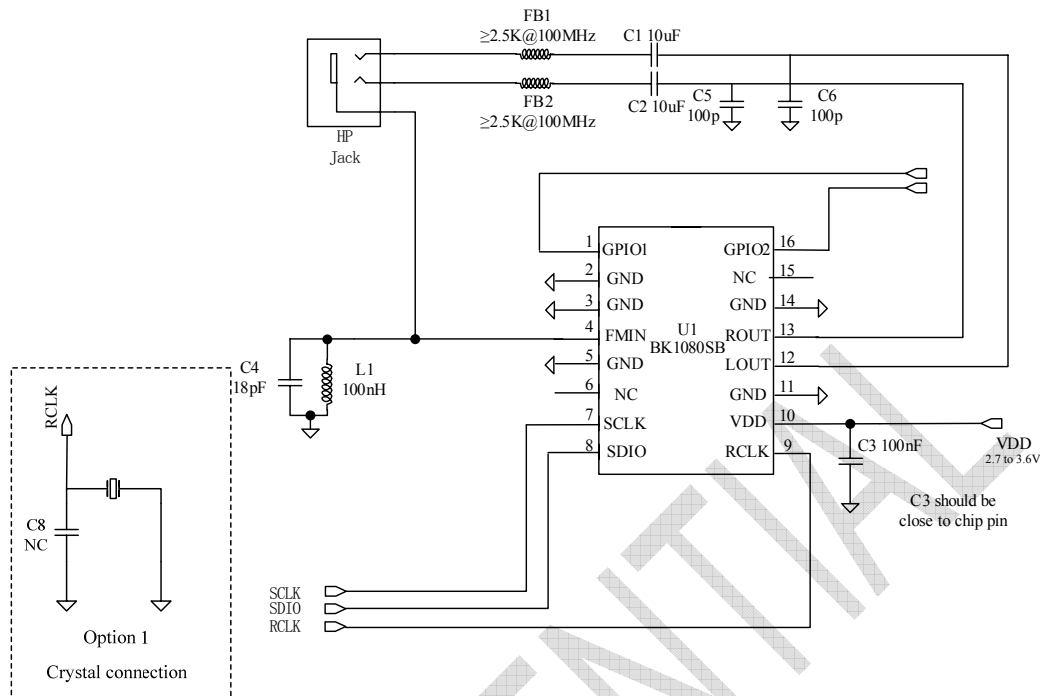


Figure 15. BK1080 SOP16 with Single-ended Input Application

Notes:

1. J1: Common 32Ω resistance headphone.
2. U1: BK1080SB chip.
3. FM choke (L1 and C4) for LNA input match with the headphone.
4. All NC pin should be leaved floating.
5. When use crystal to generate the reference clock, please refer to the option 1(Crystal connection).
6. Place C3 close to chip pin.
7. All grounds connect directly to GND plane on PCB.
8. Keep the wire from FMIN to headphone as short as possible and must put it on the surface of the PCB.

10 Package information

We have chosen QFN 4x4 24pin and SOP 16pin packages. Detail information of the package follows:

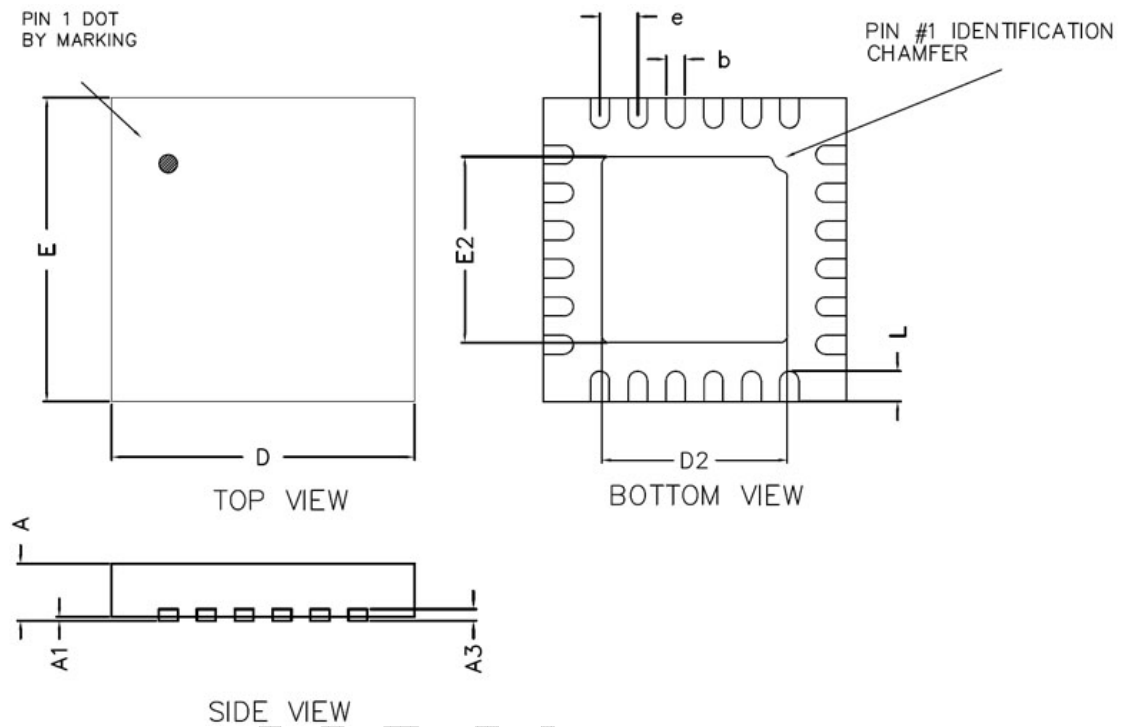


Figure 16 QFN 4x4 24 Pin Package diagram

Table 11 QFN 4x4 24 Pin Package dimensions

Parameter	Min	Typ	Max	Unit
A	0.70	0.75	0.80	mm
A1	0.00	-	0.05	mm
A3	0.20 REF			mm
D	3.95	4.00	4.05	mm
E	3.95	4.00	4.05	mm
b	0.20	0.25	0.30	mm
L	0.35	0.40	0.45	mm
D2	2.30	2.45	2.55	mm
E2	2.30	2.45	2.55	mm
e	0.50 REF			mm

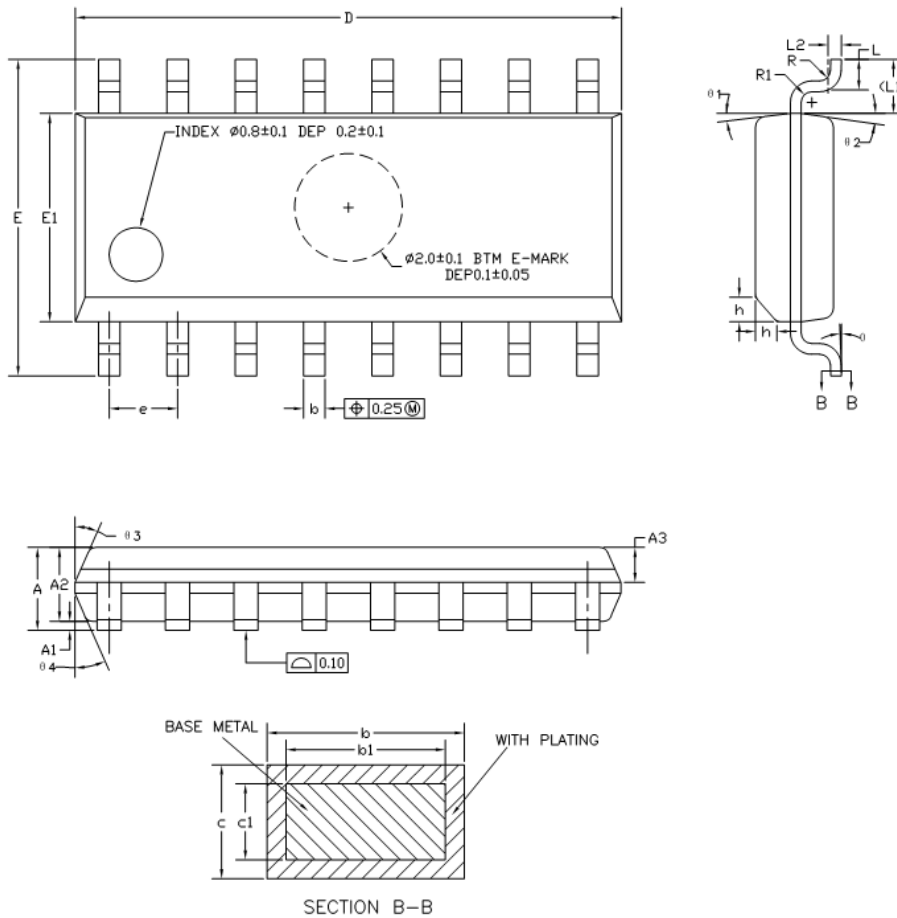


Figure 17 SOP 16 Pin Package diagram

Table 12 SOP 16 Pin Package dimensions

Parameter	Min	Typ	Max	Unit
A	1.35	1.60	1.75	mm
A1	0.10	0.15	0.25	mm
A2	1.25	1.45	1.65	mm
A3	0.55	0.65	0.75	mm
b	0.36	-	0.51	mm
b1	0.35	0.40	0.45	mm
c	0.17	-	0.25	mm
c1	0.17	0.20	0.23	mm
D	9.80	9.90	10.00	mm
E	5.80	6.00	6.20	mm
E1	3.80	3.90	4.00	mm



BK1080

FM Receiver

e	1.27 BSC			mm
L	0.45	0.60	0.80	mm
L1	1.04 REF			mm
L2	0.25 BSC			mm
R	0.07	-	-	mm
R1	0.07	-	-	mm
h	0.30	0.40	0.50	mm
θ	0	-	8	°
$\theta 1$	6	8	10	°
$\theta 2$	6	8	10	°
$\theta 3$	5	7	9	°
$\theta 4$	5	7	9	°

CONFIDENTIAL



11 Order information

Table 13 BK1080 order information

Part number	Package	Packing	MOQ (ea)
BK1080QB	QFN24	Tape Reel	3K
BK1080MB	QFN24	Tape Reel	3K
BK1080XB	QFN24	Tape Reel	3K
BK1080SB	SOP16	Tape Reel	3K

Remark:
MOQ: Minimum Order Quantity