

PLEASE CHECK WWW.MOLEX.COM FOR LATEST PART INFORMATION

Part Number: [0878346021](#)
Status: **Active**
Overview: [cgrid_sl_products](#)
Description: 2.54mm (.100") Pitch C-Grid® Header, Dual Row, Low Profile, Vertical, Shrouded, PCB Locators, with End Windows, 0.13µm (5µ) Gold (Au) Flash Plating, Nylon Housing, 60 Circuits, Lead-free

Documents:

[3D Model](#) [Product Specification PS-70246-100 \(PDF\)](#)
[Drawing \(PDF\)](#) [RoHS Certificate of Compliance \(PDF\)](#)

General

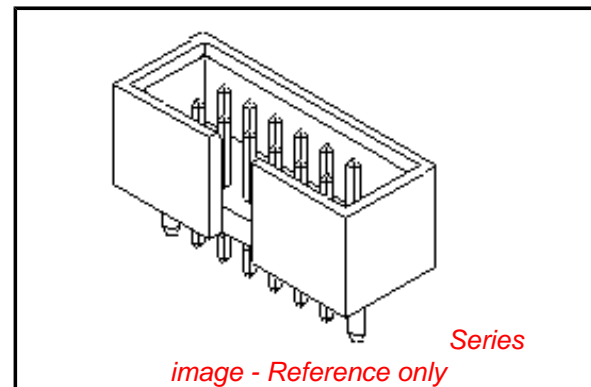
Product Family	PCB Headers
Series	87834
Application	Wire-to-Board
Overview	cgrid_sl_products
Product Name	C-Grid®

Physical

Breakaway	No
Circuits (Loaded)	60
Circuits (maximum)	60
Color - Resin	Natural
First Mate / Last Break	No
Glow-Wire Compliant	No
Guide to Mating Part	No
Keying to Mating Part	None
Lock to Mating Part	Yes
Material - Plating Mating	Gold
Material - Plating Termination	Tin
Material - Resin	Nylon
Number of Rows	2
Orientation	Vertical
PC Tail Length (in)	0.135 In
PC Tail Length (mm)	3.43 mm
PCB Locator	Yes
PCB Retention	Yes
Packaging Type	Tray
Pitch - Mating Interface (in)	0.100 In
Pitch - Mating Interface (mm)	2.54 mm
Pitch - Term. Interface (in)	0.100 In
Pitch - Term. Interface (mm)	2.54 mm
Plating min: Mating (µin)	5.2
Plating min: Mating (µm)	0.13
Plating min: Termination (µin)	75.2
Plating min: Termination (µm)	1.88
Polarized to Mating Part	Center Slot
Polarized to PCB	Yes
Shrouded	Fully
Stackable	No
Temperature Range - Operating	-55°C to +120°C
Termination Interface: Style	Through Hole

Electrical

Current - Maximum per Contact	2.5A
Voltage - Maximum	250V DC



EU RoHS

ELV and RoHS Compliant
REACH SVHC Contains SVHC: No
Halogen-Free Status

China RoHS



Not Reviewed

Need more information on product environmental compliance?

Email productcompliance@molex.com
 For a multiple part number RoHS Certificate of Compliance, [click here](#)

Please visit the [Contact Us](#) section for any non-product compliance questions.

Search Parts in this Series

87834Series

Mates With

.050" pitch ribbon cable connectors

Material Info

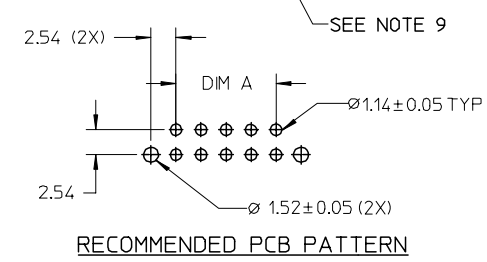
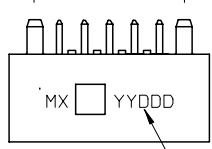
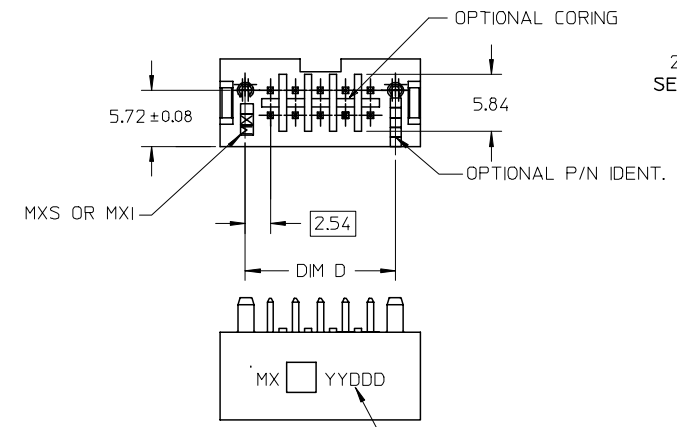
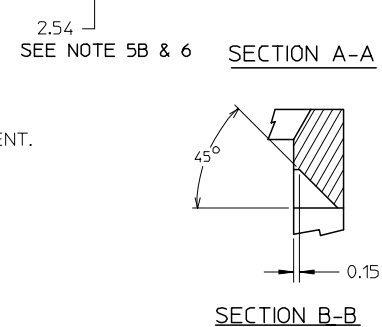
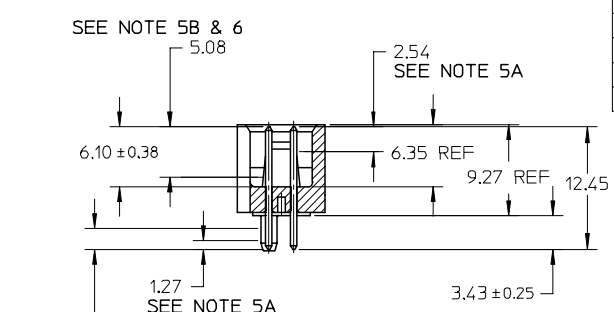
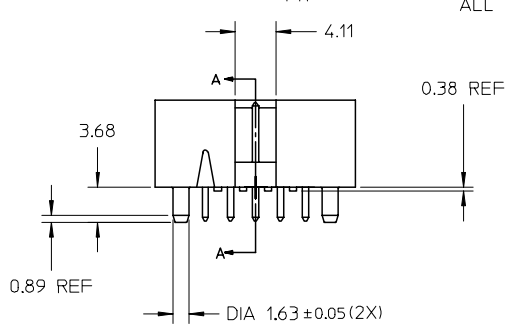
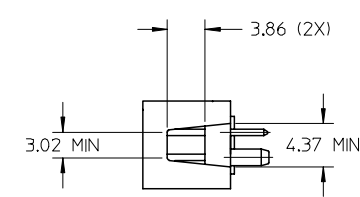
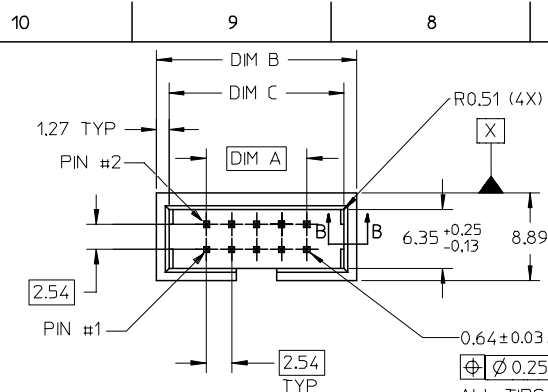
Reference - Drawing Numbers

Packaging Specification
Product Specification
Sales Drawing

PK-87835-001
PS-70246-100
SD-87834-028

This document was generated on 05/25/2010

PLEASE CHECK WWW.MOLEX.COM FOR LATEST PART INFORMATION



ASSEMBLY P/N	CKT SIZE	DIM A	DIM B	DIM C	DIM D
87834-0421	04	2.54	12.70	10.16	7.62
87834-0621	06	5.08	15.24	12.70	10.16
87834-1021	10	10.16	20.32	17.78	15.24
87834-1221	12	12.70	22.86	20.32	17.78
87834-1421	14	15.24	25.40	22.86	20.32
87834-1621	16	17.78	27.94	25.40	22.86
87834-1821	18	20.32	30.48	27.94	25.40
87834-2021	20	22.86	33.02	30.48	27.94
87834-2421	24	27.94	38.10	35.56	33.02
87834-2621	26	30.48	40.64	38.10	35.56
87834-3021	30	35.56	45.72	43.18	40.64
87834-3421	34	40.64	50.80	48.26	45.72
87834-4021	40	48.26	58.42	55.88	53.34
87834-4421	44	53.34	63.50	60.96	58.42
87834-5021	50	60.96	71.12	68.58	66.04
87834-5621	56	68.58	78.74	76.20	73.66
87834-6021	60	73.66	83.82	81.28	78.74
87834-6421	64	78.74	88.90	86.36	83.82
87834-7221	72	88.90	99.06	96.52	93.98

PART NUMBER LEGEND

87834 - * * 2 1
CKT SIZES

NOTES :

- MATERIAL :
HOUSING : NYLON (PA), UL94V-0, COLOR: NATURAL.
PIN : COPPER ALLOY.
- PIN PUSHOUT FORCE 0.91 KG MIN.
- PRODUCT SPECIFICATION PS-70246-100 APPLIES.
- WAFER TO BE FLAT WITHIN 0.03MM/CM
- DIMENSIONS FOR PLATING LOCATIONS : A - MEASURE POINT FOR THICKNESS.
B - MINIMUM COVERAGE.
- GOLD END OF PIN UNLESS OVERALL PLATED.
- FINISH :
0.13um MIN GOLD FLASH OVER 1.02um MIN.PD/NI
IN SELECTED AREA AND 2.5um MIN.TIN IN SELECTED AREA OVER 1.27um MIN NICKEL OVERALL
- FOR ILLUSTRATION PURPOSE A 10 CKT IS SHOWN.
- OPTIONAL LOCATION FOR MANUFACTURER/YEAR/DAY MARKING IF REQUIRED BY CUSTOMER

OBS P/N EC NO: S2007-0260 DRWNS:KANG CHKD:MJLNG APPR:SKTOH	QUALITY SYMBOLS ▽=0 ∇=0	GENERAL TOLERANCES (UNLESS SPECIFIED)		DIMENSION STYLE MM ONLY		SCALE NTS	DESIGN UNITS METRIC	THIRD ANGLE PROJECTION	
				DRAWN BY RSHAN		DATE 2003/11/21	C-GRID, SHROUDED WAFER SLOTTED, WITH IN-LINE POLARIZATION PEGS		
				CHECKED BY KCL ING		DATE 2003/12/05			
				APPROVED BY SKTOH		DATE 2003/12/06	MOLEX INCORPORATED		
		DRAFT WHERE APPLICABLE MUST REMAIN WITHIN DIMENSIONS		SEE TABLE		DOCUMENT NO. SD-87834-028		SHEET NO. 1 OF 1	