

**PLEASE CHECK WWW.MOLEX.COM FOR LATEST PART INFORMATION**

**Part Number:** [0878344095](#)  
**Status:** **Active**  
**Overview:** [cgrid\\_sl\\_products](#)  
**Description:** 2.54mm (.100") Pitch C-Grid® Header, Dual Row, Low Profile, Vertical, Shrouded, without PCB Locator, without End Window, 0.05µm (2µ) Gold (Au) Plating, Nylon Housing, 40 Circuits, Lead-free

**Documents:**

[3D Model](#) [Product Specification PS-70246-100 \(PDF\)](#)  
[Drawing \(PDF\)](#) [RoHS Certificate of Compliance \(PDF\)](#)

**Agency Certification**

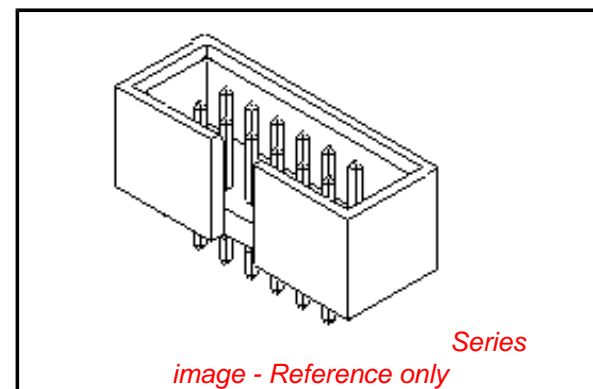
UL E29179

**General**

Product Family PCB Headers  
 Series [87834](#)  
 Application Wire-to-Board  
 Overview [cgrid\\_sl\\_products](#)  
 Product Name C-Grid®

**Physical**

Breakaway No  
 Circuits (Loaded) 40  
 Circuits (maximum) 40  
 Color - Resin Natural  
 First Mate / Last Break No  
 Flammability 94V-0  
 Glow-Wire Compliant No  
 Guide to Mating Part No  
 Keying to Mating Part None  
 Lock to Mating Part None  
 Material - Plating Mating Gold  
 Material - Plating Termination Tin  
 Material - Resin Nylon  
 Number of Rows 2  
 Orientation Vertical  
 PC Tail Length (in) 0.135 In  
 PC Tail Length (mm) 3.43 mm  
 PCB Locator No  
 PCB Retention None  
 Packaging Type Tray  
 Pitch - Mating Interface (in) 0.100 In  
 Pitch - Mating Interface (mm) 2.54 mm  
 Pitch - Term. Interface (in) 0.100 In  
 Pitch - Term. Interface (mm) 2.54 mm  
 Plating min: Mating (µin) 2  
 Plating min: Mating (µm) 0.05  
 Plating min: Termination (µin) 75.2  
 Plating min: Termination (µm) 1.88  
 Polarized to Mating Part Center Slot  
 Polarized to PCB Yes  
 Shrouded Fully  
 Stackable No  
 Temperature Range - Operating -55°C to +120°C  
 Termination Interface: Style Through Hole



**EU RoHS**

**ELV and RoHS Compliant**  
**REACH SVHC Contains SVHC: No**  
**Halogen-Free Status**  
**Not Halogen-Free**

**China RoHS**



**Need more information on product environmental compliance?**

Email [productcompliance@molex.com](mailto:productcompliance@molex.com)  
 For a multiple part number RoHS Certificate of Compliance, [click here](#)

Please visit the [Contact Us](#) section for any non-product compliance questions.

**Search Parts in this Series**

[87834Series](#)

**Mates With**

.050" pitch ribbon cable connectors

**Electrical**

Current - Maximum per Contact

2.5A

Voltage - Maximum

250V DC

**Material Info****Reference - Drawing Numbers**

Packaging Specification

PK-87835-001

Product Specification

PS-70246-100

Sales Drawing

SD-87834-026

This document was generated on 05/25/2010

**PLEASE CHECK [WWW.MOLEX.COM](http://WWW.MOLEX.COM) FOR LATEST PART INFORMATION**

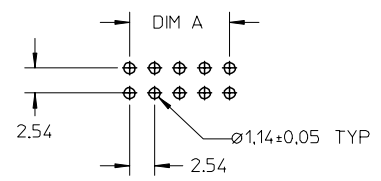
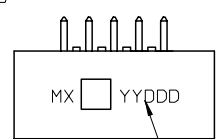
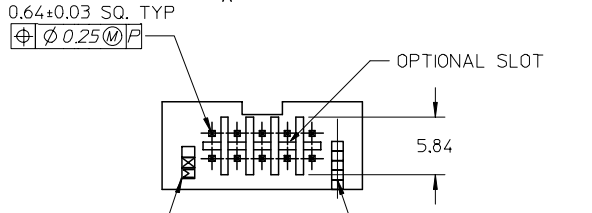
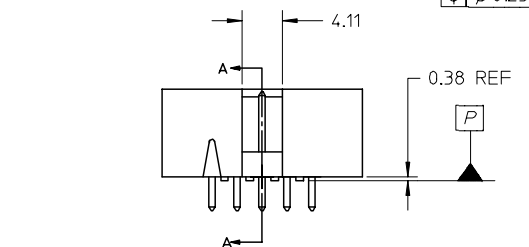
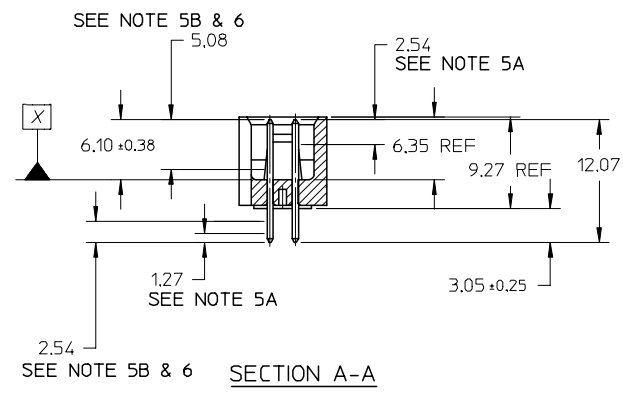
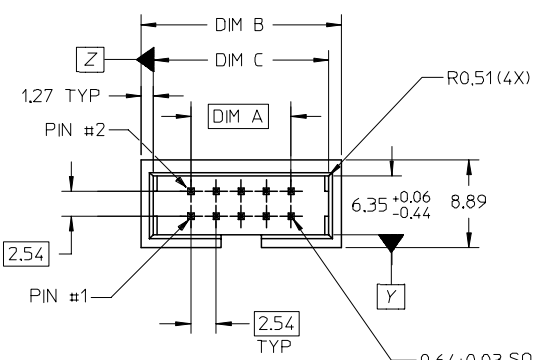
ASSEMBLY P/N	CKT SIZE	DIM A	DIM B	DIM C
87834-0495	04	2.54	12.70	10.16
87834-0695	06	5.08	15.24	12.70
87834-0895	08	7.62	17.78	15.24
87834-1095	10	10.16	20.32	17.78
87834-1295	12	12.70	22.86	20.32
87834-1495	14	15.24	25.40	22.86
87834-1695	16	17.78	27.94	25.40
87834-2095	20	22.86	33.02	30.48
87834-2495	24	27.94	38.10	35.56
87834-2695	26	30.48	40.64	38.10
87834-3095	30	35.56	45.72	43.18
87834-3495	34	40.64	50.80	48.26
87834-4095	40	48.26	58.42	55.88
87834-4495	44	53.34	63.50	60.96
87834-5095	50	60.96	71.12	68.58
87834-5695	56	68.58	78.74	76.20
87834-6095	60	73.66	83.82	81.28

**PART NUMBER LEGEND**

87834 - \* \* \* 9 5  
 CKT SIZES

**NOTES :**

- MATERIAL:  
HOUSING: NYLON (PA), UL94V-0, COLOR: NATURAL.  
PIN : COPPER ALLOY
- PIN PUSHOUT FORCE 0.91 KG MIN.
- PRODUCT SPECIFICATION PS-70246-100 APPLIES.
- WAFER TO BE FLAT WITHIN 0.03MM/CM
- DIMENSIONS FOR PLATING LOCATIONS :  
A - MEASURE POINT FOR THICKNESS,  
B - MINIMUM COVERAGE.
- GOLD END OF PIN UNLESS OVERALL PLATED.
- FINISH :  
0.05um TO 0.25um GOLD OVER 0.38um MIN PD/NI  
IN SELECTED AREA AND 1.90um MIN. TIN IN SELECTED  
AREA OVER 1.27um MIN. NICKEL OVERALL.
- FOR ILLUSTRATION PURPOSE A 10 CKT IS SHOWN.
- OPTIONAL LOCATION FOR MANUFACTURER/YEAR/DAY MARKING  
IF REQUIRED BY CUSTOMER



HSG LASER MARKING EC NO: S2005-0536 DRAWN: LQIAO 2005/01/26 CHKD: PTLIM 2005/01/26 APPR: SCLLO 2005/01/27	QUALITY SYMBOLS ▽=0 ▽=0	GENERAL TOLERANCES (UNLESS SPECIFIED)		DIMENSION STYLE MM ONLY		SCALE NTS	DESIGN UNITS METRIC	THIRD ANGLE PROJECTION	
		4 PLACES ± --- ± ---	3 PLACES ± --- ± ---	2 PLACES ± 0.25 ± ---	1 PLACE ± --- ± ---	DRAWN BY RSHAN		DATE 2003/11/21	
A2	REV	DRAFT WHERE APPLICABLE MUST REMAIN WITHIN DIMENSIONS		SEE TABLE		TITLE C-GRID, SHROUDED WAFER SLOTTED, W/O END WINDOWS & POLARIZATION PEGS			
		MATERIAL NO.		DOCUMENT NO.		SHEET NO.		1 OF 1	