

PLEASE CHECK WWW.MOLEX.COM FOR LATEST PART INFORMATION

Part Number: **0476572000**
Status: **Active**
Overview: slimline serial ata odd connectors
Description: 1.27mm (.050") Pitch Removable Slimline Serial ATA Plug for Optical DiskDrive, Vertical, Bottom Mount, SMT, Gold (Au) Flash Plating, with Cap, Lead-free

Documents:

[3D Model](#) [Product Specification PS-47657-001 \(PDF\)](#)
[Drawing \(PDF\)](#) [RoHS Certificate of Compliance \(PDF\)](#)

General

Product Family	PCB Headers
Series	<u>47657</u>
Application	Board-to-Board
Comments	SMT Type
Overview	<u>slimline serial ata odd connectors</u>
Product Name	Serial ATA, Slimline Serial ATA

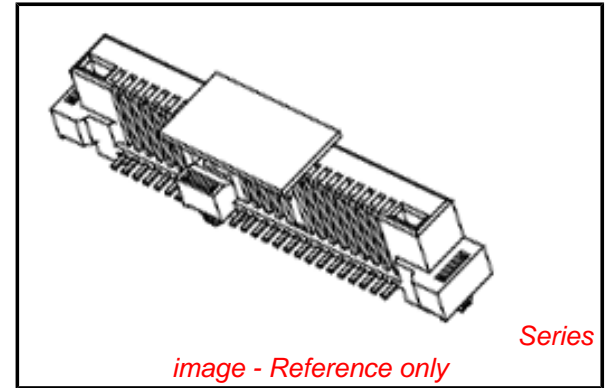
Physical

Breakaway	No
Circuits (Loaded)	22
Circuits (maximum)	22
Color - Resin	Black
Durability (mating cycles max)	500
Glow-Wire Compliant	No
Guide to Mating Part	Yes
Keying to Mating Part	Yes
Lock to Mating Part	Yes
Material - Metal	Copper Alloy
Material - Plating Mating	Gold
Material - Plating Termination	Tin
Material - Resin	High Temperature Thermoplastic
Number of Rows	1
Orientation	Vertical
PCB Locator	No
PCB Retention	Yes
Packaging Type	Embossed Tape on Reel
Pitch - Mating Interface (in)	0.050 In
Pitch - Mating Interface (mm)	1.27 mm
Pitch - Term. Interface (in)	0.050 In
Pitch - Term. Interface (mm)	1.27 mm
Plating min: Mating (µin)	2
Plating min: Mating (µm)	0.05
Plating min: Termination (µin)	39
Plating min: Termination (µm)	1
Polarized to Mating Part	Yes
Polarized to PCB	Yes
Stackable	No
Temperature Range - Operating	-35°C to +85°C
Termination Interface: Style	Surface Mount

Electrical

Current - Maximum per Contact	1.5A
Voltage - Maximum	15V DC

Solder Process Data



EU RoHS

ELV and RoHS Compliant
REACH SVHC
 Not Reviewed
Halogen-Free Status

China RoHS



Not Halogen-Free

Need more information on product environmental compliance?

Email productcompliance@molex.com
 For a multiple part number RoHS Certificate of Compliance, [click here](#)

Please visit the [Contact Us](#) section for any non-product compliance questions.

Search Parts in this Series

47657Series

Mates With

476571000 Receptacle

Duration at Max. Process Temperature (seconds)	10
Lead-free Process Capability	Reflow Capable (SMT only)
Max. Cycles at Max. Process Temperature	1
Process Temperature max. C	260

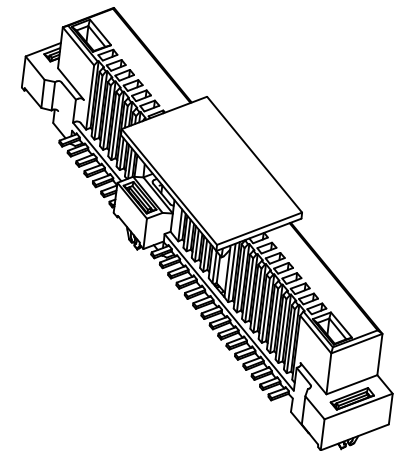
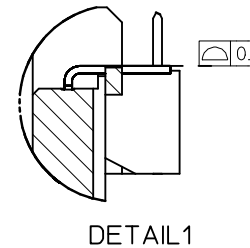
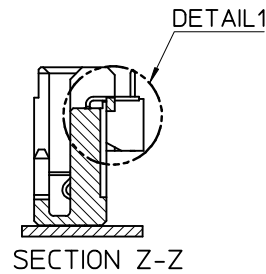
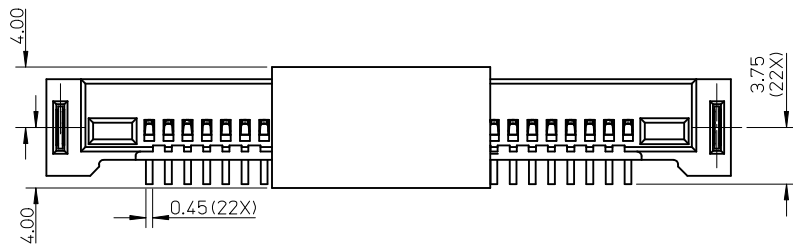
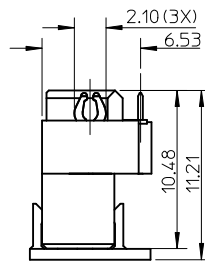
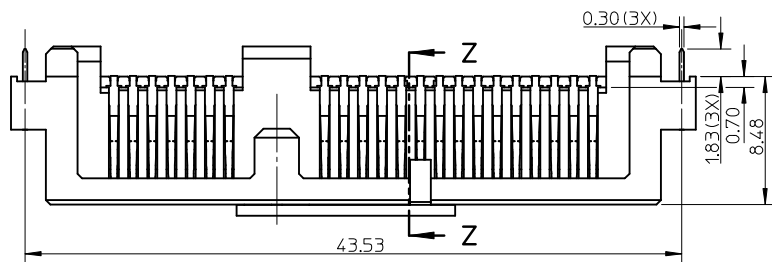
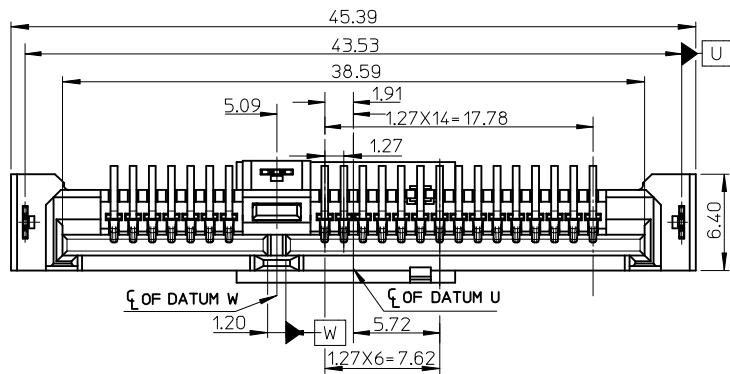
Material Info

Reference - Drawing Numbers

Packaging Specification	PK-47657-002
Product Specification	PS-47657-001
Sales Drawing	SD-47657-200

This document was generated on 05/26/2010

PLEASE CHECK WWW.MOLEX.COM FOR LATEST PART INFORMATION



NOTES :

1.MATERIAL :

HOUSING : LCP, UL94V-0, BLACK
 TERMINAL : COPPER ALLOY
 FORKLOCK : COPPER ALLOY

2.PLATING :

TERMINAL :
 CONTACT AREA : GOLD PLATING, DETAIL REFER TO CHART.
 SOLDER AREA : MATTE TIN PLATING 1 MICRONS MIN.
 UNDERPLATING : NICKEL PLATING 1.25 MICRONS MIN.
 FORKLOCK :
 TIN PLATING 1 MICROMETER MIN. OVER NICKEL PLATING
 1 MICROMETER MIN.

3.PACKAGE: TAPE REEL, PK-47657-200.

4.PRODUCT SPEC: PS-47657-001.

5.THE PRODUCT COMPLIANT TO RoHS DIRECTIVES 2002/95/EC AND ELV 2000/53/EC.

P/N	GOLD PLATING SPEC
47657-2200	0.76 MICRONS MIN
47657-2100	0.38 MICRONS MIN
47657-2000	Au FLASH

ib_frame_A3_P_AM_T
 Rev. E 2006/04/15

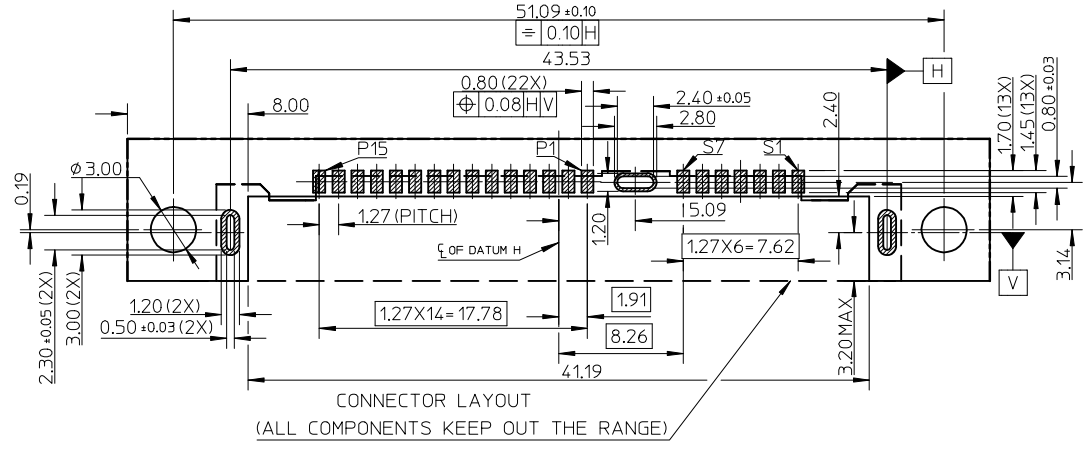
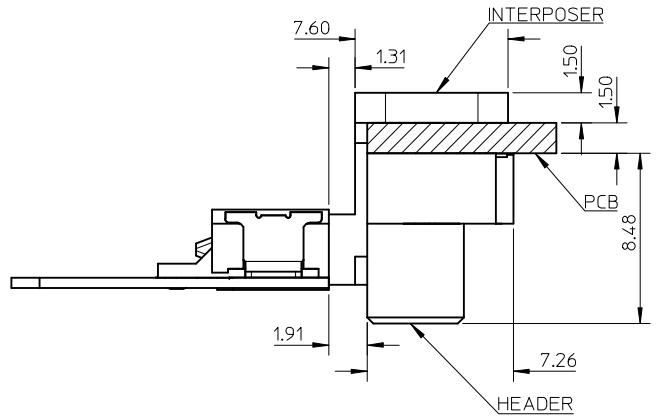
NEW RELEASE EC NO: SH2009-0626 DRW:GLLI CHKD:XJ.SONG APPR:RZHANG	2009/07/24	2009/07/24	2009/08/05
	DESCRIPTION		
	REV		

QUALITY SYMBOLS	▽=0
	∇=0

GENERAL TOLERANCES (UNLESS SPECIFIED)	mm	INCH	
	4 PLACES	± ---	± ---
	3 PLACES	± ---	± ---
	2 PLACES	± 0.15	± ---
	1 PLACE	± 0.25	± ---
ANGULAR ± 3 °			
DRAFT WHERE APPLICABLE MUST REMAIN WITHIN DIMENSIONS			

DIMENSION STYLE MM ONLY	
DRAWN BY DIXON LI	DATE 2008/07/15
CHECKED BY STARY SONG	DATE 2008/07/15
APPROVED BY HARVEY WANG	DATE 2008/07/15
MATERIAL NO. 47657-2000	

SCALE 4:1	DESIGN UNITS METRIC	THIRD ANGLE PROJECTION
TITLE REMOVABLE SATA HEADER CONNECTOR BOTTOM MOUNT TYPE		
MOLEX INCORPORATED		
DOCUMENT NO. SD-47657-200	SHEET NO. 1 OF 2	
THIS DRAWING CONTAINS INFORMATION THAT IS PROPRIETARY TO MOLEX INCORPORATED AND SHOULD NOT BE USED WITHOUT WRITTEN PERMISSION		



CONNECTOR LAYOUT
(ALL COMPONENTS KEEP OUT THE RANGE)

RECOMMENDED PCB LAYOUT (COMPONENT SIDE)
PCB THICKNESS=1.4MM+/-0.05

<p>NEW RELEASE EC NO: SH2009-0626 DRWNG: LLI CHKD: XJ SONG APPR: RZHANG</p>	2009/07/24	2009/07/24	2009/07/24	2009/08/05	<p>QUALITY SYMBOLS ▽=0 ◻=0</p>	GENERAL TOLERANCES (UNLESS SPECIFIED)		DIMENSION STYLE MM ONLY		SCALE 4:1	DESIGN UNITS METRIC	THIRD ANGLE PROJECTION	
	DESCRIPTION	REV	DATE	DATE		DATE	DATE	DATE	DATE	DATE	TITLE	<p>REMOVABLE SATA HEADER CONNECTOR BOTTOM MOUNT TYPE</p>	
												<p>MOLEX MOLEX INCORPORATED</p>	<p>SHEET NO. 2 OF 2</p>
												<p>DOCUMENT NO. SD-47657-200</p>	
							<p>4 PLACES ± --- ± --- 3 PLACES ± --- ± --- 2 PLACES ± 0.15 ± --- 1 PLACE ± 0.25 ± ---</p>	<p>mm INCH DRAWN BY DATE DIXON LI 2008/07/15 CHECKED BY DATE STARY SONG 2008/07/15 APPROVED BY DATE HARVEY WANG 2008/07/15 MATERIAL NO. 47657-2000</p>	<p>THIS DRAWING CONTAINS INFORMATION THAT IS PROPRIETARY TO MOLEX INCORPORATED AND SHOULD NOT BE USED WITHOUT WRITTEN PERMISSION</p>				
<p>DRAFT WHERE APPLICABLE MUST REMAIN WITHIN DIMENSIONS</p>						<p>ANGULAR ± 3 °</p>							