

PLEASE CHECK WWW.MOLEX.COM FOR LATEST PART INFORMATION

Part Number: [0475780001](#)
Status: **Active**
Description: Camera Socket for Mobile Phone, Top Mount, 6x6 Camera Module

Documents:

[3D Model](#) [RoHS Certificate of Compliance \(PDF\)](#)
[Drawing \(PDF\)](#)

General

Product Family	Other Sockets
Series	47578
Component Type	Socket
Product Name	Camera Socket

Physical

Circuits (Loaded)	20
Circuits (maximum)	20
Color - Resin	Black
Durability (mating cycles max)	30
Entry Angle	Vertical (Top Entry)
Keying to Mating Part	Yes
Material - Metal	Phosphor Bronze
Material - Plating Mating	Gold
Material - Plating Termination	Gold
Material - Resin	High Temperature Thermoplastic
PCB Locator	No
PCB Retention	N/A
Packaging Type	Embossed Tape on Reel
Pitch - Mating Interface (in)	0.026 In
Pitch - Mating Interface (mm)	0.65 mm
Pitch - Term. Interface (in)	0.026 In
Pitch - Term. Interface (mm)	0.65 mm
Plating min: Mating (µin)	12
Plating min: Mating (µm)	0.3
Plating min: Termination (µin)	1
Plating min: Termination (µm)	0.025
Temperature Range - Operating	-55°C to +85°C
Termination Interface: Style	Surface Mount

Electrical

Current - Maximum per Contact	0.5A
Voltage - Maximum	50V DC

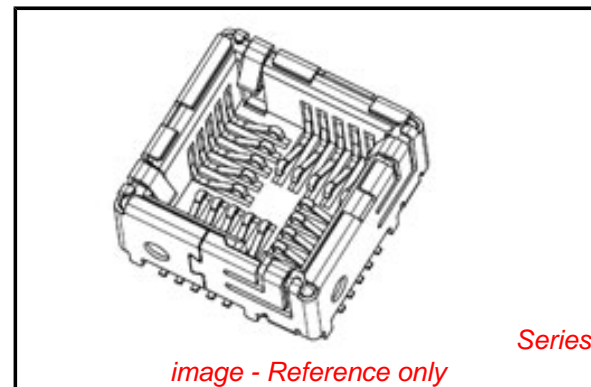
Solder Process Data

Duration at Max. Process Temperature (seconds)	2
Lead-free Process Capability	Reflow Capable (SMT only)
Max. Cycles at Max. Process Temperature	3
Process Temperature max. C	255

Material Info

Reference - Drawing Numbers

Packaging Specification	PK-47578-001
Sales Drawing	SD-47578-001



EU RoHS

**ELV and RoHS
Compliant**
REACH SVHC
 Not Reviewed
**Halogen-Free
Status**
 Not Reviewed

China RoHS



**Need more information on product
environmental compliance?**

Email productcompliance@molex.com
 For a multiple part number RoHS Certificate of
 Compliance, [click here](#)

Please visit the [Contact Us](#) section for any
 non-product compliance questions.

Search Parts in this Series

[47578Series](#)

Mates With

Camera Module

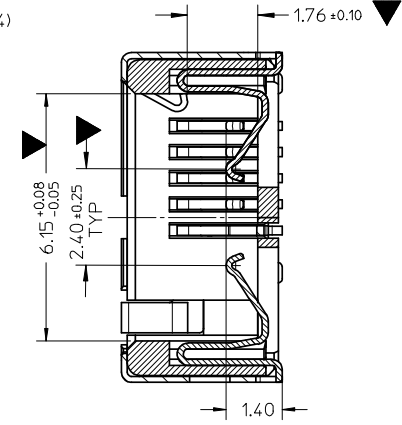
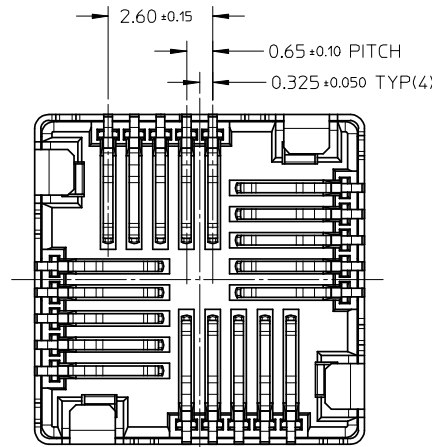
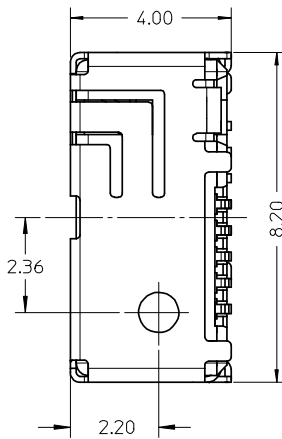
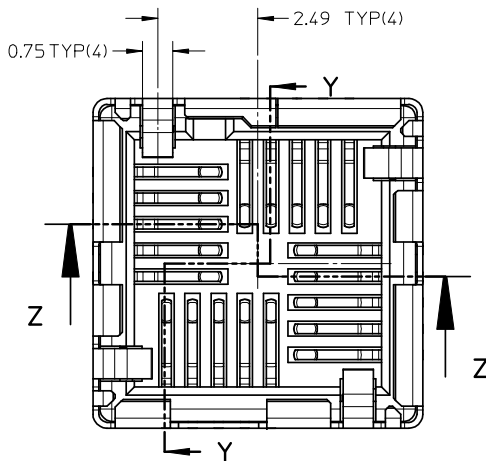
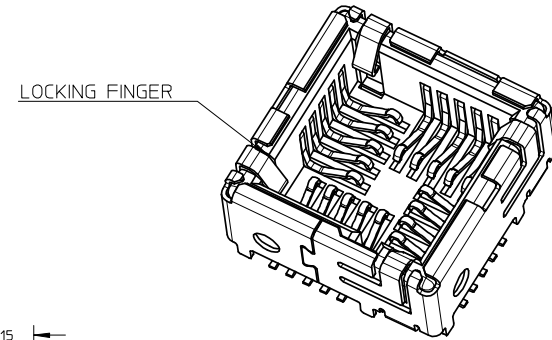
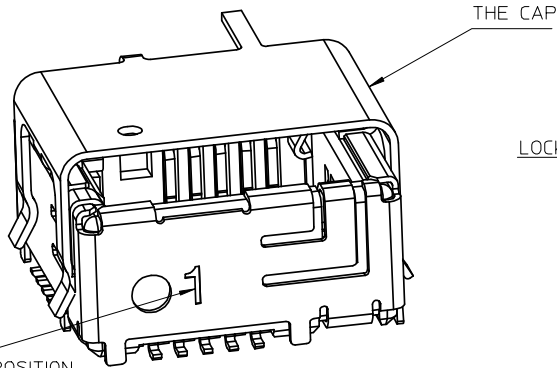
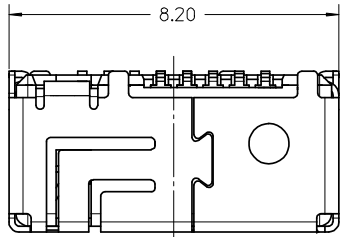
Use With

[47578-0006](#) Top Cover

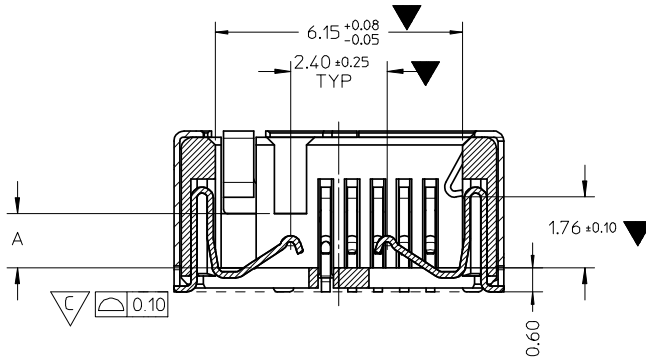
This document was generated on 05/25/2010

PLEASE CHECK WWW.MOLEX.COM FOR LATEST PART INFORMATION

10 9 8 7 6 5 4 3 2 1



SECTION Y-Y

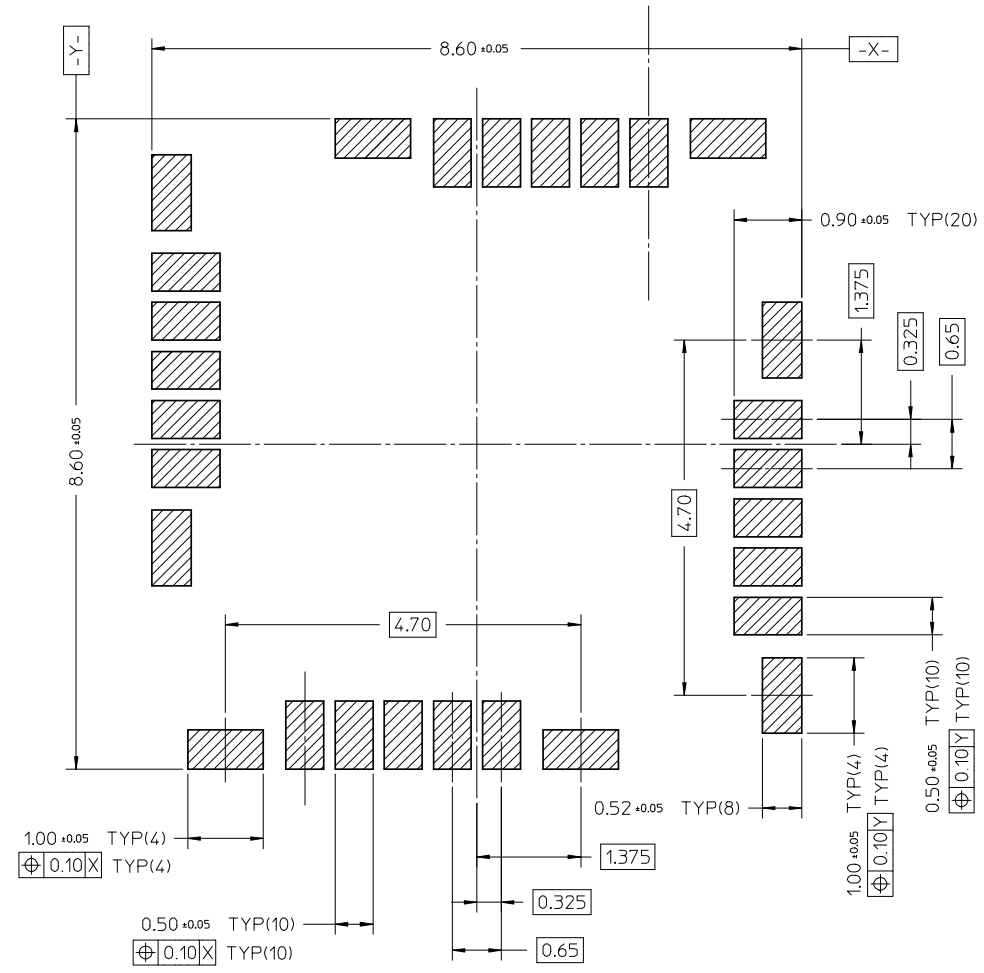


SECTION Z-Z

47578-0010	0
47578-0001	1.35
PART NUMBER	DIMENSION A

REVISION EC NO: SH2008-0300 DRWN: JHE CHKD: YLZHU APPR: HWANG 2008/01/10 2008/01/21 2008/02/04	QUALITY SYMBOLS	GENERAL TOLERANCES (UNLESS SPECIFIED) 4 PLACES ± --- ± --- 3 PLACES ± --- ± --- 2 PLACES ± 0.20 ± --- 1 PLACE ± 0.25 ± --- ANGULAR ± 2 °	DIMENSION STYLE	SCALE	DESIGN UNITS	THIRD ANGLE PROJECTION CAMERA SOCKET FOR MOBILE PHONE (FOR 6X6 CAMERA MODULE) MOLEX INCORPORATED SD-47578-001 SHEET NO. 1 OF 3
	▼=6 ◻=1		MM ONLY	8:1	METRIC	
	DRAFT WHERE APPLICABLE MUST REMAIN WITHIN DIMENSIONS		DRAWN BY IVAN CHECKED BY XIXU APPROVED BY JNCHEN MATERIAL NO. SEE TABLE	DATE 2006/11/05 DATE 2006/11/05 DATE 2006/11/05	TITLE MOLEX INCORPORATED	
	THIS DRAWING CONTAINS INFORMATION THAT IS PROPRIETARY TO MOLEX INCORPORATED AND SHOULD NOT BE USED WITHOUT WRITTEN PERMISSION		SIZE A3	DOCUMENT NO. SD-47578-001		

9 8 7 6 5 4 3 2 1

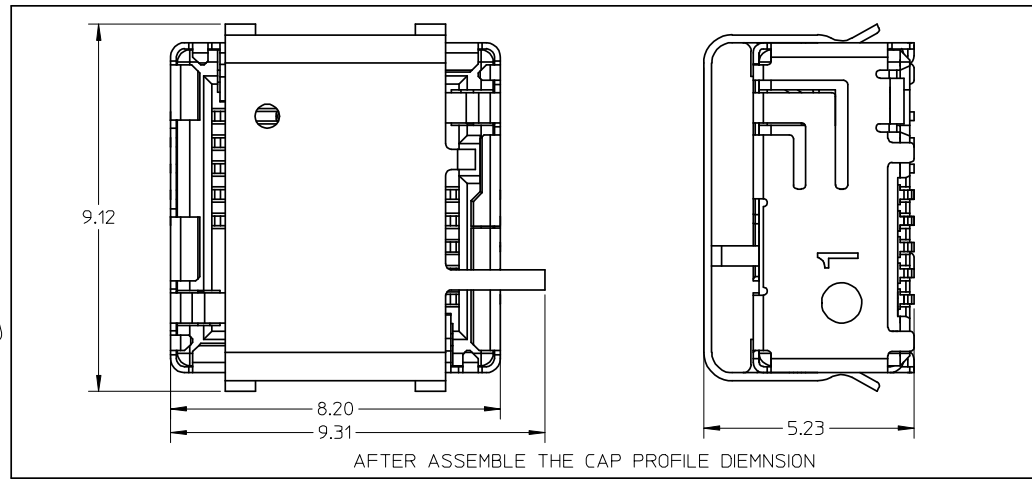
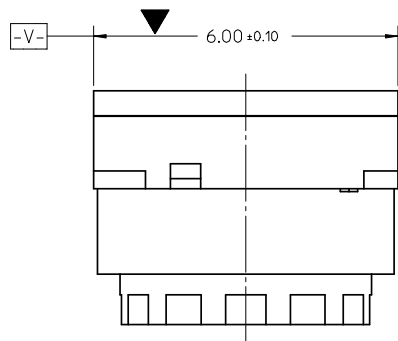


RECOMMENDED PCB LAYOUT

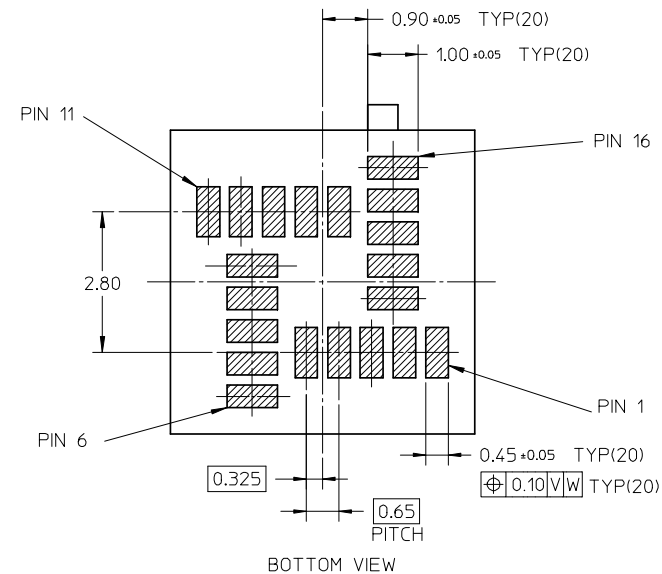
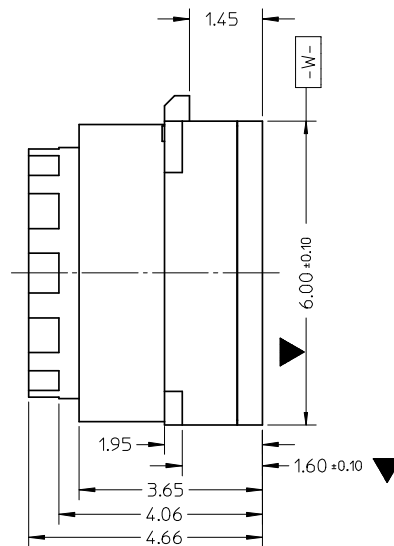
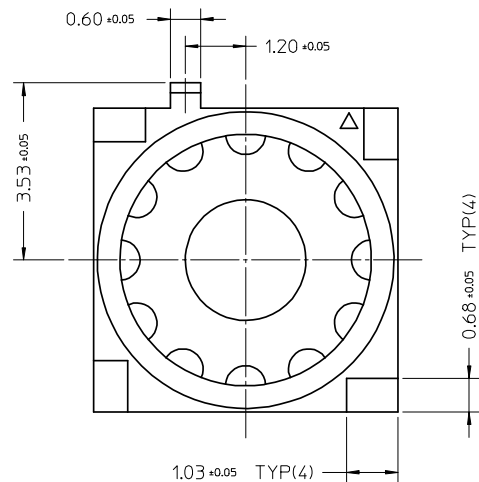
NOTE:

1. MATERIAL
HOUSING: POLYIMIDE, BLACK, UL94 V-0.
TERMINAL: COPPER ALLOY.
SHELL: COPPER ALLOY.
2. FINISH
TERMINAL:
2.0 MICRON MIN. NICKEL UNDERPLATING OVERALL,
GOLD PLATING 0.3 MICRON MIN ON CONTACT AREA
GOLD FLASH ON SOLDER AREA
SHELL:
1.25-4 MICRON NICKEL UNDERPLATING OVERALL,
GOLD FLASH ON SOLDER AREA
3. PRODUCT SPECIFICATION: PS-47578-001
4. PACKING: TAPE & REEL
5. COPLANARITY TO BE 0.10MM MAX.
6. PACKAGE SPECIFICATION : PK-47578-001.
7. APPLY TOP COVER PART NUMBER :475780006

REVISION EC NO: SH2008-0300 DRWN: IHE 2008/01/10 CHKD: YLZHU 2008/01/21 APPR: HWANG 2008/02/04	QUALITY SYMBOLS	GENERAL TOLERANCES (UNLESS SPECIFIED)	DIMENSION STYLE	SCALE	DESIGN UNITS	THIRD ANGLE PROJECTION
	▽=0 C=0	mm INCH 4 PLACES ± --- ± --- 3 PLACES ± --- ± --- 2 PLACES ± 0.20 ± --- 1 PLACE ± 0.25 ± --- ANGULAR ± 2 °	MM ONLY	8:1	METRIC	
	DESCRIPTION	DRAFT WHERE APPLICABLE MUST REMAIN WITHIN DIMENSIONS	DRAWN BY DATE IVAN 2006/11/05 CHECKED BY DATE XIXU 2006/11/05 APPROVED BY DATE JNCHEN 2006/11/05	TITLE	CAMERA SOCKET FOR MOBILE PHONE (FOR 6X6 CAMERA MODULE)	
	REV		MATERIAL NO.	SEE TABLE	DOCUMENT NO.	MOLEX INCORPORATED
			SIZE A3	THIS DRAWING CONTAINS INFORMATION THAT IS PROPRIETARY TO MOLEX INCORPORATED AND SHOULD NOT BE USED WITHOUT WRITTEN PERMISSION		SHEET NO. 2 OF 3



APPLICATION CAMERA MODULE RECOMMEND



NOTE:
1. COPLANARITY FOR THE PCB MOUNTED TO THE MODULE
MSUT BE 0.03MM MAX.

REVISION EC NO: SH2008-0300 DRWN: JHE CHKD: YLZHU APPR: HWANG	DESCRIPTION 2008/01/10 2008/01/21 2008/02/04	QUALITY SYMBOLS	GENERAL TOLERANCES (UNLESS SPECIFIED)		DIMENSION STYLE	SCALE	DESIGN UNITS	THIRD ANGLE PROJECTION	
		▽=3 ◻=1	mm	INCH	MM ONLY	8:1	METRIC		
		4 PLACES ± --- ± --- 3 PLACES ± --- ± --- 2 PLACES ± 0.20 ± --- 1 PLACE ± 0.25 ± ---	DRAWN BY: IVAN CHECKED BY: XIXU APPROVED BY: JNCHEN		DATE: 2006/11/05 DATE: 2006/11/05 DATE: 2006/11/05	TITLE: CAMERA SOCKET FOR MOBILE PHONE (FOR 6X6 CAMERA MODULE)			
		ANGULAR ± 2 °	MATERIAL NO.: SEE TABLE		MOLEX INCORPORATED				
DRAFT WHERE APPLICABLE MUST REMAIN WITHIN DIMENSIONS			SIZE: A3		THIS DRAWING CONTAINS INFORMATION THAT IS PROPRIETARY TO MOLEX INCORPORATED AND SHOULD NOT BE USED WITHOUT WRITTEN PERMISSION			SHEET NO.: 3 OF 3	