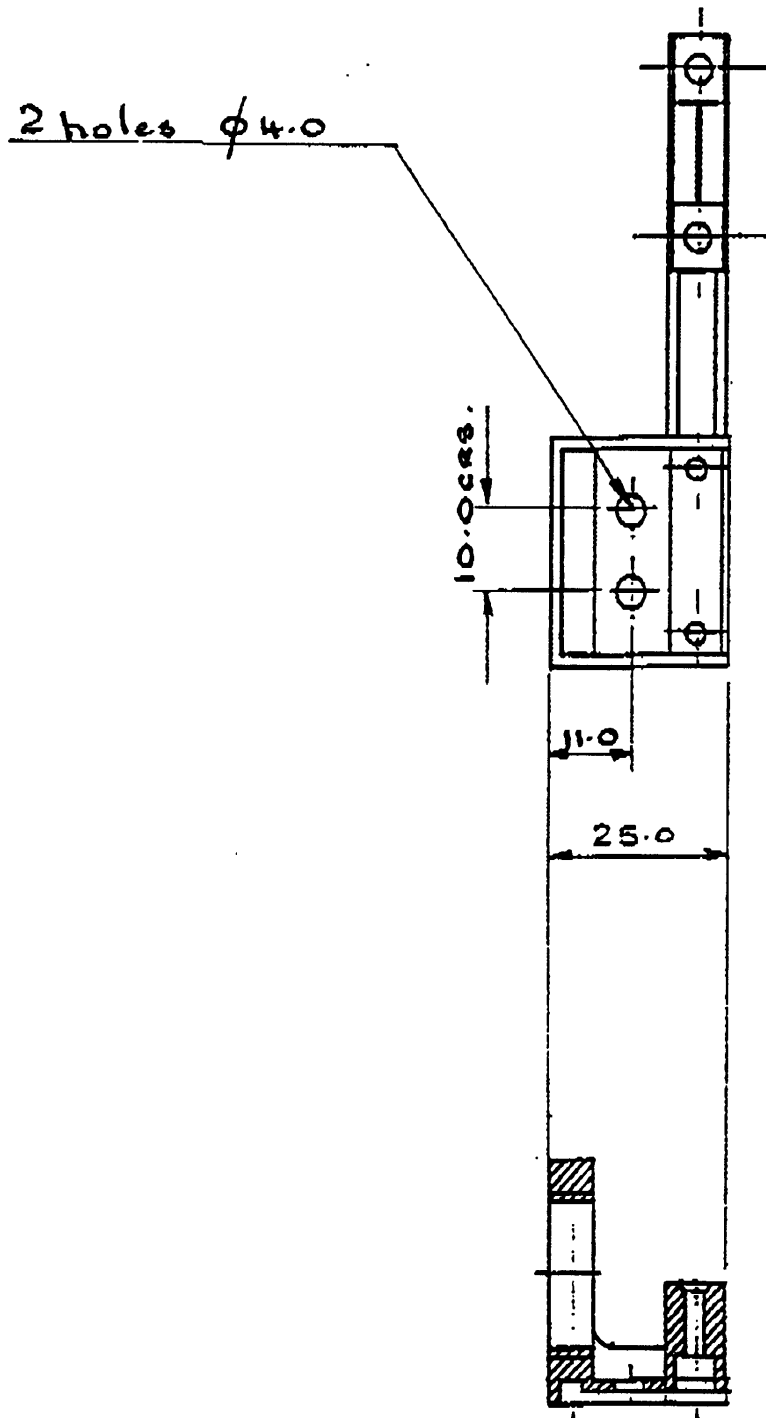


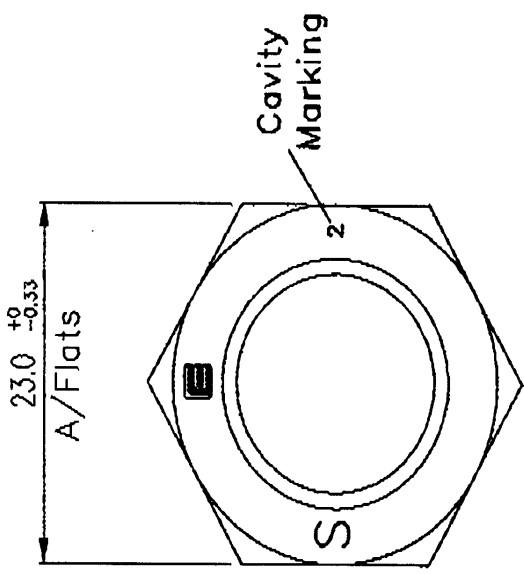
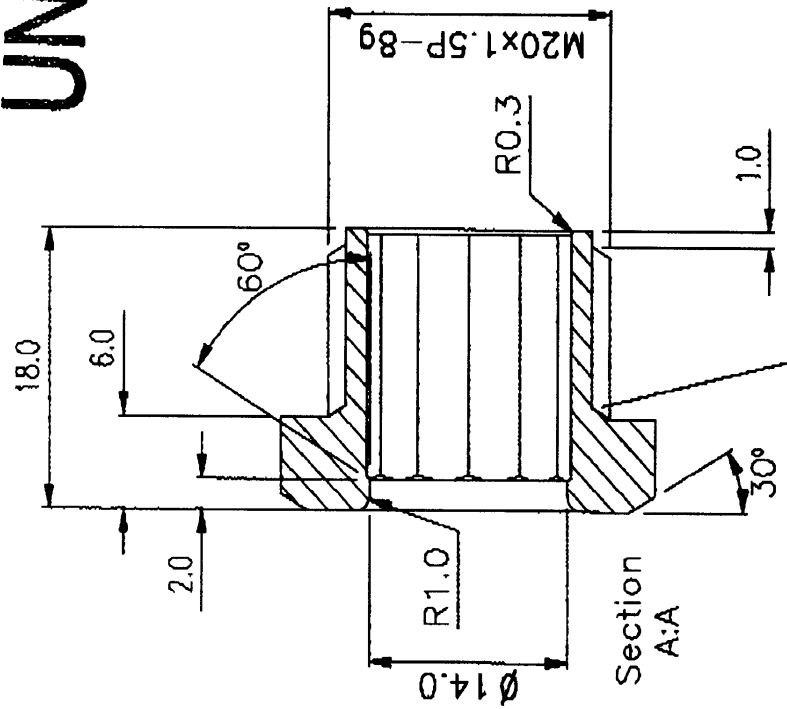
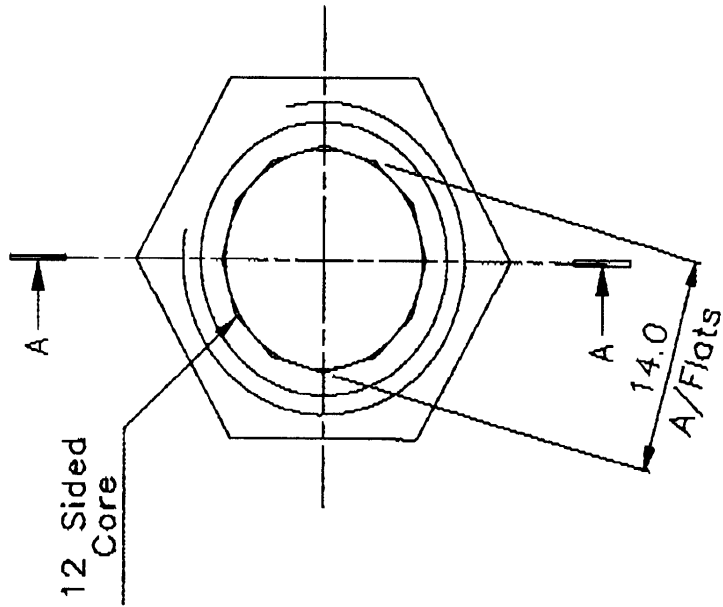
320-1430



CONCLAMP TYPE B. (692)

1 2 3 4 5 6 7 8 9 10 11 12 13 14 15

UN-CONTROLLED



120 deg. Inclusive Angle to Major Dia.

Finish :- High Polished
 Thread :- To BS 3643
 Engraving :- ROMANS Font
 Logo Height 2mm
 Text Height 2.5mm
 Cavity I.D. 1mm

REV.	DESCRIPTION	BY	DATE
C	Engraving - Remove "M20" and Add "S"	BM	19-12-96
B	Tolerance Added to A/Flats Dimension	BM	08-1-96
A	Add 120 deg Angle To Aid Tooling	BM	14-7-95

DIMENSIONS mm

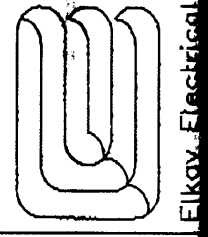
SCALE 2:1

MATERIAL Nylon 6.6

TOOL No.

Product Code 47

Cable Gland Bush



TOLERANCE	OVER / TO = +/-
0.00/5.00	=0.05
5.01/15.00	=0.10
15.01/25.00	=0.15
25.01/50.00	=0.20

DRAFTED	DATE
APPROVED	20-6-95
CHECKED	
DRAWING No.	
REV.	
000618	C

rights concerning this drg. are owned by ELKAY and must not be shown