

PLEASE CHECK WWW.MOLEX.COM FOR LATEST PART INFORMATION

Part Number: [0314081120](#)
Status: **Active**
Overview: stac64 single multipocket and hybrid header system
Description: USCAR 2.54mm (.100") Pitch Receptacle, 12 Circuits, Polarization A, Black

Documents:

[3D Model](#) [Product Specification PS-31408-100 \(PDF\)](#)
[Drawing \(PDF\)](#) [RoHS Certificate of Compliance \(PDF\)](#)
[Application Specification \(PDF\)](#)

General

Product Family	Crimp Housings
Series	31408
Comments	Polarization A
Overview	<u>stac64 single multipocket and hybrid header system</u>
Product Name	USCAR

Physical

Circuits (maximum)	12
Circuits Detail	12
Color - Resin	Black
Gender	Female
Glow-Wire Compliant	No
Keying to Mating Part	None
Lock to Mating Part	No
Material - Resin	Modified Polystyrene
Number of Rows	2
Packaging Type	Carton
Panel Mount	No
Pitch - Mating Interface (in)	0.100 In
Pitch - Mating Interface (mm)	2.54 mm
Polarized to Mating Part	Yes
Ports	1
Stackable	No
Temperature Range - Operating	-40°C to +100°C

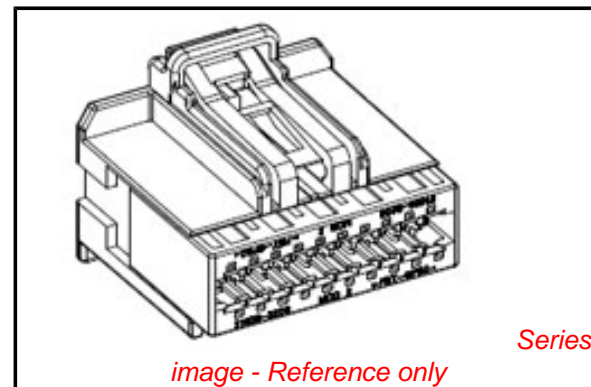
Electrical

Current - Maximum per Contact	10.2A
-------------------------------	-------

Material Info

Reference - Drawing Numbers

Application Specification	AS-31408-100
Packaging Specification	PK-31300-044
Product Specification	PS-31408-100
Sales Drawing	SD-31408-900



EU RoHS

**ELV and RoHS
Compliant**
**REACH SVHC
Contains SVHC: No**
**Halogen-Free
Status**

China RoHS



**Need more information on product
environmental compliance?**

Email productcompliance@molex.com
 For a multiple part number RoHS Certificate of
 Compliance, [click here](#)

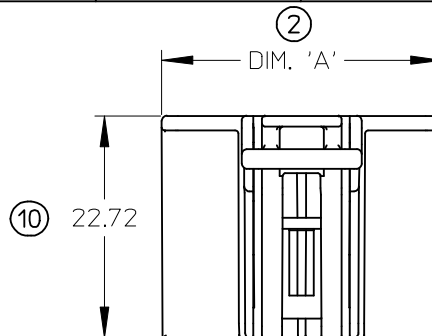
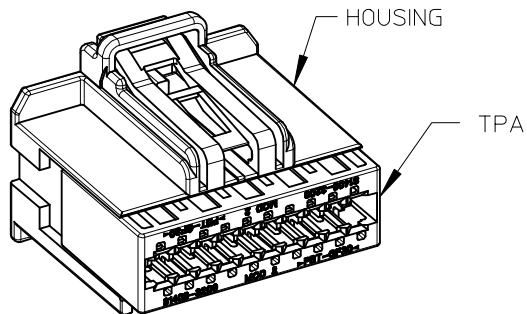
Please visit the [Contact Us](#) section for any
 non-product compliance questions.

Search Parts in this Series

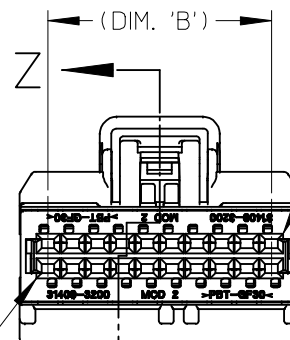
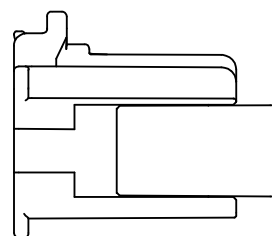
[31408Series](#)

Mates With

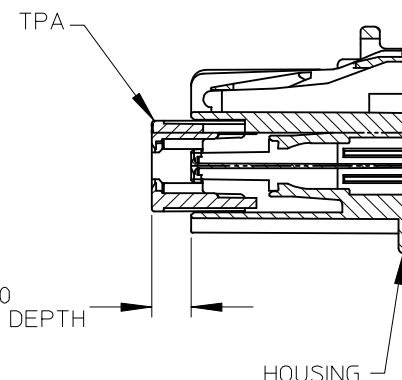
[34691](#) Stac64 Right Angle Assembly. [34690](#)
 Stac64 Vertical Assembly



VIEW SHOWN WITH TPA
IN LOCKED POSITION



FRONT VIEW



SECTION Z-Z

NOTES:

1. MATERIALS:

HOUSING: SPS/PA66 BLEND, 30% GF
TPA: PBT, GF
COLOR: NATURAL (CREAM)

2. PACKAGING INFORMATION: PK-31300-044

3. MATING COMPONENTS:

NEW APPLICATIONS:

REFER TO SD-34691-100 & SD-34690-100

EXISTING APPLICATIONS (RESTRICTED):

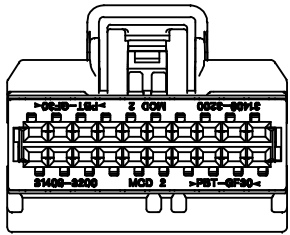
REFER TO SD-31429-700 & SD-31411-700

4. TPA's MAY BECOME SEATED DURING TRANSIT. IF THIS OCCURS, REFERENCE MOLEX PRODUCT SPECIFICATION PS-34646-001.

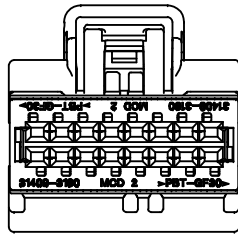
5. TO BE USED WITH TYCO TERMINAL: 18/20 AWG 1393366-1
22 AWG 1393367-1

EC NO: UAU2008-0100 DRWN:BDICK01 2008/08/22 CHKD: 2008/08/28 APPR:SMARCEAZ08/08/28 G	QUALITY SYMBOLS	GENERAL TOLERANCES (UNLESS SPECIFIED)	SCALE 2:1	DESIGN UNITS METRIC	THIRD ANGLE PROJECTION	REVISE ON CAD ONLY
	▼ = 0 ▽ = 0	mm INCH	DIMENSION STYLE MM ONLY		TITLE	
		4 PLACES ± --- ± --- 3 PLACES ± --- ± --- 2 PLACES ± 0.13 ± --- 1 PLACE ± 0.25 ± --- ANGULAR ± 3°	DRAWN BY SKAROLEW DATE 2004/02/17		USCAR 0.64MM RECEPTACLE ASSY, GET TERMINAL SALES DRAWING	
	DESCRIPTION	DRAFT WHERE APPLICABLE MUST REMAIN WITHIN DIMENSIONS	APPROVED BY BBWILSON DATE 2004/04/06	CHECKED BY MDANIELS DATE 2004/03/31	MOLEX MOLEX INCORPORATED SEE CHART	
REV		THIS DRAWING CONTAINS INFORMATION THAT IS PROPRIETARY TO MOLEX INCORPORATED AND SHOULD NOT BE USED WITHOUT WRITTEN PERMISSION		MATERIAL NO.	DOCUMENT NO.	SHEET NO.
				SD-31408-900		1 OF 3

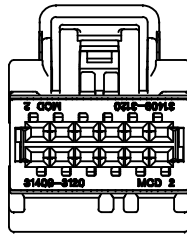
10 9 8 7 6 5 4 3 2 31408



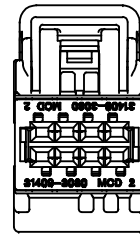
20 WAY



16 WAY

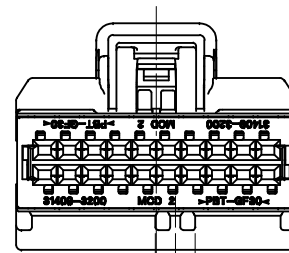


12 WAY

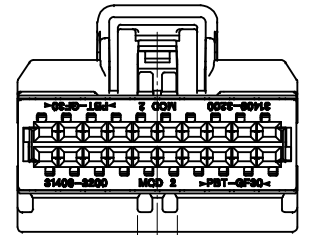


8 WAY

POLARIZATION 'A' OPTION
(ALL CIRCUITS SHOWN)



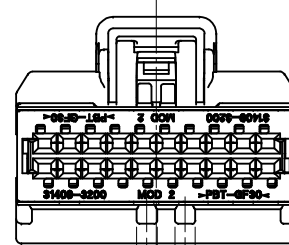
POLARIZATION 'A'



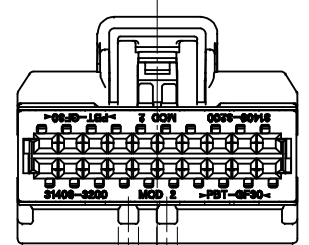
POLARIZATION 'B'

(4.06)
(1.95)

(4.06)



POLARIZATION 'C'



POLARIZATION 'D'

(2.11)
(2.05)
(2.96)
(0.97)

(2.11)
(2.05)
(2.96)
(0.97)

POLARIZATION OPTIONS
(20-CIRCUIT SHOWN)

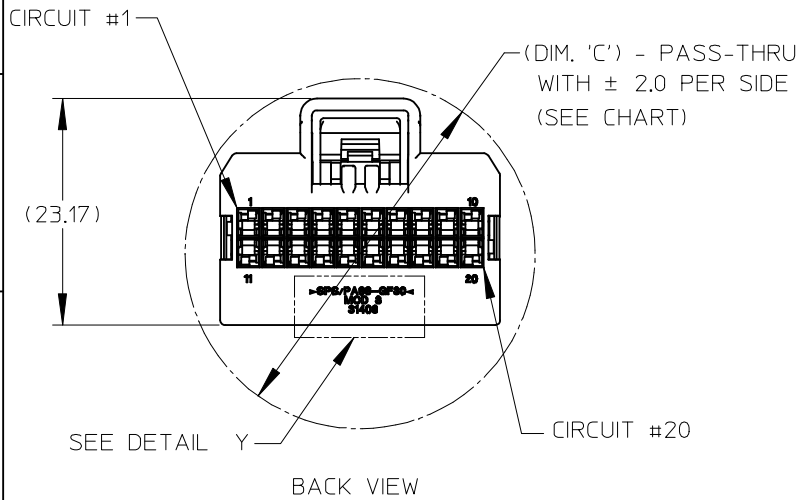
EC NO: UAU2008-0100 DRWN:BDICK01 2008/08/22 CHKD: 2008/08/28 APPR: SWARCEAU2008/08/28	QUALITY SYMBOLS ▽ = 0 ∇ = 0	GENERAL TOLERANCES (UNLESS SPECIFIED)		SCALE 2:1	DESIGN UNITS METRIC	THIRD ANGLE PROJECTION	REVISE ON CAD ONLY		
		4 PLACES ± --- ± --- 3 PLACES ± --- ± --- 2 PLACES ± 0.13 ± --- 1 PLACE ± 0.25 ± ---	mm INCH DIMENSION STYLE MM ONLY	DRAWN BY SKAROLEW	DATE 2004/02/17	TITLE USCAR 0.64MM RECEPTACLE ASSY, GET TERMINAL SALES DRAWING			
		ANGULAR ± 3 °		CHECKED BY MDANIELS	DATE 2004/03/31	MOLEX INCORPORATED			
		DRAFT WHERE APPLICABLE MUST REMAIN WITHIN DIMENSIONS		APPROVED BY BBWILSON	DATE 2004/04/06	MATERIAL NO. SEE CHART	DOCUMENT NO. SD-31408-900	SHEET NO. 2 OF 3	

MOLEX ASSY. P/N	CIRCUITS	DIM. 'A'	(DIM. 'B')	(DIM. 'C')	POLARIZATION	HOUSING COLOR
31408-1080	8	13.40	(7.62)	(29.7)	A	BLACK
31408-1081					B	GRAY
31408-1082					C	BROWN
31408-1120	12	18.48	(12.70)	(31.3)	A	BLACK
31408-1121					B	GRAY
31408-1122					C	BROWN
31408-1160	16	23.56	(17.78)	(33.5)	A	BLACK
31408-1161					B	GRAY
31408-1162					C	BROWN
31408-1200	20	28.64	(22.86)	(36.3)	A	BLACK
31408-1201					B	GRAY
31408-1202					C	BROWN
31408-1203					D	GREEN



RECYCLE CODE
P/N SERIES NO.
MANU. LOC./CAV. ID

DETAIL Y
SCALE 4:1



EC NO: UAU2008-0100 IDRN:BDICK01 2008/08/22 CHKD: 2008/08/28 APPR: SMARCEA2008/08/28	QUALITY SYMBOLS ▽ - 0 ▽ - 0	GENERAL TOLERANCES (UNLESS SPECIFIED) mm INCH 4 PLACES ± --- ± --- 3 PLACES ± --- ± --- 2 PLACES ± 0.13 ± --- 1 PLACE ± 0.25 ± --- ANGULAR ± 3°	SCALE 2:1 DESIGN UNITS METRIC DIMENSION STYLE MM ONLY	THIRD ANGLE PROJECTION REVISE ON CAD ONLY
	DESCRIPTION	DRAWN BY SKAROLEW DATE 2004/02/17 CHECKED BY MDANIELS DATE 2004/03/31 APPROVED BY BBWILSON DATE 2004/04/06	TITLE USCAR 0.64MM RECEPTACLE ASSY, GET TERMINAL SALES DRAWING	MATERIAL NO. SEE CHART DOCUMENT NO. SD-31408-900 SHEET NO. 3 OF 3
DRAFT WHERE APPLICABLE MUST REMAIN WITHIN DIMENSIONS		THIS DRAWING CONTAINS INFORMATION THAT IS PROPRIETARY TO MOLEX INCORPORATED AND SHOULD NOT BE USED WITHOUT WRITTEN PERMISSION		