



Low power 128K×8 CMOS SRAM (Common I/O)

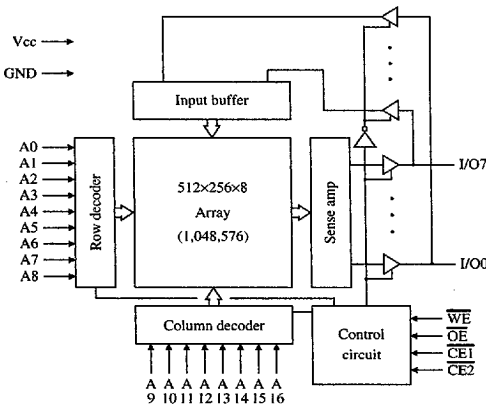
Advance information

Features

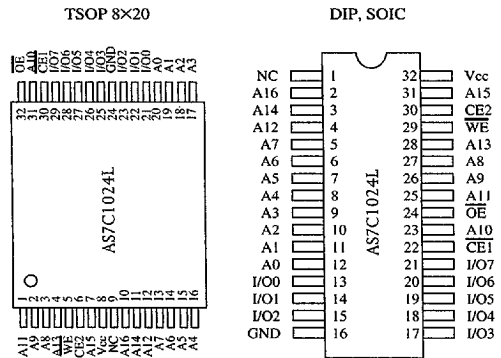
- Organization: 131,072 words × 8 bits
- Single 5V power supply
- High speed
  - 55/70 ns address access time
  - 30/35 ns output enable access time
- Very low power consumption
- Active: 385 mW max, (55 ns cycle)
  - Standby: 550 μW max, CMOS I/O, L version
  - 138 μW max, CMOS I/O, LL version
- 2.0V data retention
- Equal access and cycle times
- Easy memory expansion with  $\overline{CE1}$ , CE2 and  $\overline{OE}$  inputs
- TTL-compatible, three-state I/O
- Ideal for modem, portable computing, handheld instruments
  - 75% power reduction during CPU idle mode
- 32-pin JEDEC standard packages
  - 600 mil PDIP
  - 445 mil SOIC
  - 8 × 20 TSOP
- ESD protection ≥ 2000 volts
- Latch-up current ≥ 200 mA

SRAM

Logic block diagram



Pin arrangement



Selection guide

	7C1024L-55	7C1024L-70	Unit
Maximum address access time	55	70	ns
Maximum output enable access time	30	35	ns
Maximum operating current	70	70	mA
Maximum CMOS standby current	L	100	μA
	LL	25	μA



Functional description

The AS7C1024L is a low power CMOS 1,048,576-bit Static Random Access Memory (SRAM) organized as 131,072 words × 8 bits.

The device enters standby mode when  $\overline{CE1}$  is HIGH or CE2 is LOW. CMOS standby mode consumes a maximum of  $\leq 18$  mW ( $\leq 3.6$  mW for the L version). Normal operation offers 75% power reduction after initial access, resulting in significant power savings during CPU idle, suspend, and stretch mode. Both versions of the AS7C1024L offer 2.0V data retention.

Equal address access and cycle times ( $t_{AA}$ ,  $t_{RC}$ ,  $t_{WC}$ ) of 55/70 ns with output enable access times ( $t_{OE}$ ) of 30/35 ns are ideal for high performance applications. The active high and low chip enables ( $\overline{CE1}$ , CE2) permit easy memory expansion with multiple-bank memory systems.

A write cycle is accomplished by asserting write enable ( $\overline{WE}$ ) and both chip enables ( $\overline{CE1}$ , CE2). Data on the input pins I/O0-I/O7 is written on the rising edge of  $\overline{WE}$  (write cycle 1) or the active-to-inactive edge of  $\overline{CE1}$  or CE2 (write cycle 2). To avoid bus contention, external devices should drive I/O pins only after outputs have been disabled with output enable ( $\overline{OE}$ ) or write enable ( $\overline{WE}$ ).

A read cycle is accomplished by asserting output enable ( $\overline{OE}$ ) and both chip enables ( $\overline{CE1}$ , CE2), with write enable ( $\overline{WE}$ ) HIGH. The chip drives I/O pins with the data word referenced by the input address. When either chip enable or output enable is inactive, or write enable is active, output drivers stay in high-impedance mode.

All chip inputs and outputs are TTL-compatible, and 5V tolerant. Operation is from a single  $5.0 \pm 0.5$ V supply. The AS7C1024L is packaged in high volume industry standard packages.

Absolute maximum ratings

Parameter	Symbol	Min	Max	Unit
Power supply voltage relative to GND	$V_{CC}$	-0.5	+7.0	V
Input voltage relative to GND	$V_{IN}$	-0.5	$V_{CC}+0.5$	V
Power dissipation	$P_D$	-	1.0	W
Storage temperature (plastic)	$T_{stg}$	-55	+150	°C
Temperature under bias	$T_{bias}$	-10	+85	°C
DC output current	$I_{out}$	-	20	mA

Stresses greater than those listed under Absolute Maximum Ratings may cause permanent damage to the device. This is a stress rating only and functional operation of the device at these or any other conditions outside those indicated in the operational sections of this specification is not implied. Exposure to absolute maximum rating conditions for extended periods may affect reliability

Truth table

$\overline{CE1}$	CE2	$\overline{WE}$	$\overline{OE}$	Data	Mode
H	X	X	X	High Z	Standby ( $I_{SB}$ , $I_{SB1}$ )
X	L	X	X	High Z	Standby ( $I_{SB}$ , $I_{SB1}$ )
L	H	H	H	High Z	Output disable
L	H	H	L	$D_{out}$	Read
L	H	L	X	$D_{in}$	Write

Key: X = Don't Care, L = LOW, H = HIGH



Recommended operating conditions

T<sub>a</sub> = 0°C to +70°C

Parameter	Symbol	Min	Typical	Max	Unit
Supply voltage	V <sub>CC</sub>	4.5	5.0	5.5	V
	GND	0.0	0.0	0.0	V
Input voltage	V <sub>IH</sub>	2.2	–	V <sub>CC</sub> +0.3	V
	V <sub>IL</sub>	-0.3 <sup>†</sup>	–	0.8	V

<sup>†</sup>V<sub>IL min</sub> = -2.0V for pulse width less than t<sub>RC</sub>/2.

DC operating characteristics <sup>1</sup>

V<sub>CC</sub> = 3.3±0.3V, GND = 0V, T<sub>a</sub> = 0°C to +70°C

Parameter	Symbol	Test conditions	I version		LL version		Unit
			Min	Max	Min	Max	
Input leakage current	I <sub>LI</sub>	V <sub>CC</sub> = Max, V <sub>in</sub> = GND to V <sub>CC</sub>	–	1	–	1	μA
Output leakage current	I <sub>LO</sub>	CE1 = V <sub>IH</sub> or CE2 = V <sub>IL</sub> , V <sub>CC</sub> = Max, V <sub>out</sub> = GND to V <sub>CC</sub>	–	1	–	1	μA
Operating power supply current	I <sub>CC</sub>	CE1 = V <sub>IL</sub> , CE2 = V <sub>IH</sub> , f = f <sub>max</sub> , I <sub>out</sub> = 0 mA	–	70	–	70	mA
Standby power supply current	I <sub>SB</sub>	CE1 = V <sub>IH</sub> or CE2 = V <sub>IL</sub> , f = f <sub>max</sub>	–	3	–	2	mA
	I <sub>SB1</sub>	CE1 ≥ V <sub>CC</sub> -0.2V or CE2 ≤ 0.2V, V <sub>in</sub> ≤ 0.2V or V <sub>in</sub> ≥ V <sub>CC</sub> -0.2V, f = 0	LL	–	100	–	100
Output voltage	V <sub>OL</sub>	I <sub>OL</sub> = 2.1 mA, V <sub>CC</sub> = Min	–	0.4	–	0.4	V
	V <sub>OH</sub>	I <sub>OH</sub> = -1.0 mA, V <sub>CC</sub> = Min	2.4	–	2.4	–	V

Capacitance <sup>2</sup>

f = 1 MHz, T<sub>a</sub> = Room temperature, V<sub>CC</sub> = 3.3V

Parameter	Symbol	Signals	Test conditions	Max	Unit
Input capacitance	C <sub>IN</sub>	A, CE1, CE2, WE, OE	V <sub>in</sub> = 0V	6	pF
I/O capacitance	C <sub>I/O</sub>	I/O	V <sub>in</sub> = V <sub>out</sub> = 0V	8	pF



Key to switching waveforms

Rising input

Falling input

Undefined output/don't care

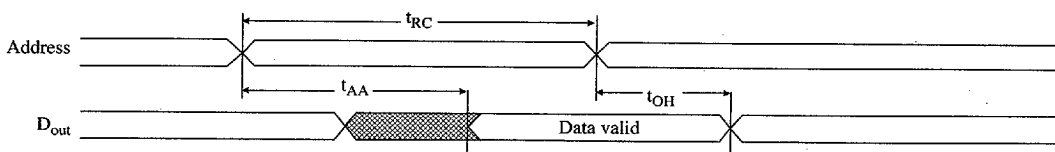
Read cycle 3,9,12

( $V_{CC} = 5.0 \pm 0.5V$ ,  $GND = 0V$ ,  $T_a = 0^\circ C$  to  $+70^\circ C$ )

Parameter	Symbol	-55		-70		Unit	Notes
		Min	Max	Min	Max		
Read cycle time	$t_{RC}$	55	—	70	—	ns	
Address access time	$t_{AA}$	—	55	—	70	ns	3
Chip enable (CE1) access time	$t_{ACE1}$	—	55	—	70	ns	3, 12
Chip enable (CE2) access time	$t_{ACE2}$	—	55	— <td 70	ns	3, 12	
Output enable (OE) access time	$t_{OE}$	—	30	—	35	ns	
Output Hold from address change	$t_{OH}$	5	—	5	—	ns	5
CE1 LOW to output in Low Z	$t_{CLZ1}$	10	—	10	—	ns	4, 5, 12
CE2 HIGH to output in Low Z	$t_{CLZ2}$	10	—	10	—	ns	4, 5, 12
CE1 HIGH to output in High Z	$t_{CHZ1}$	—	20	—	25	ns	4, 5, 12
CE2 LOW to output in High Z	$t_{CHZ2}$	—	20	—	25	ns	4, 5, 12
OE LOW to output in Low Z	$t_{OLZ}$	5	—	5	—	ns	4, 5
OE HIGH to output in High Z	$t_{OHZ}$	—	20	—	25	ns	4, 5

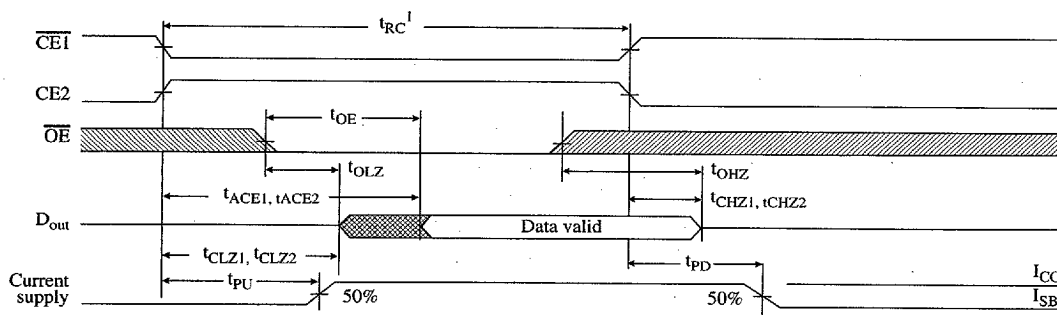
Read waveform 1 3,6,7,9,12

Address controlled



Read waveform 2 3,6,8,9,12

CE1 and CE2 controlled





Write cycle <sup>11,12</sup>

$V_{CC} = 5.0 \pm 0.5V$ ,  $GND = 0V$ ,  $T_a = 0^\circ C$  to  $+70^\circ C$

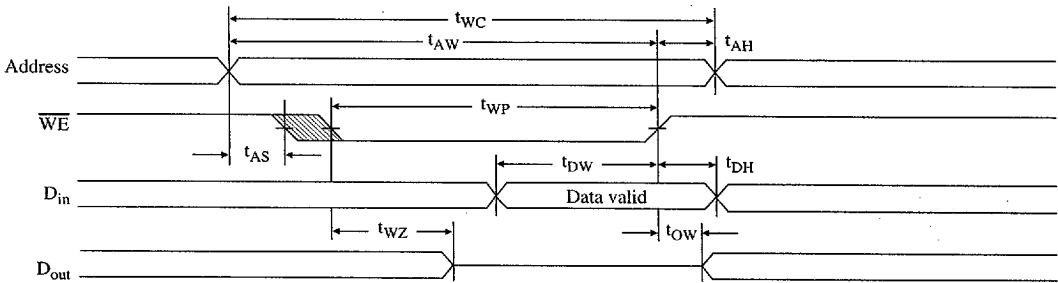
-55 -70

Parameter	Symbol	Min	Max	Min	Max	Unit	Notes
Write cycle time	$t_{WC}$	55	—	70	—	ns	
Chip enable (CE1) to write end	$t_{CW1}$	50	—	60	—	ns	12
Chip enable (CE2) to write end	$t_{CW2}$	50	—	60	—	ns	12
Address setup to write end	$t_{AW}$	50	—	60	—	ns	
Address setup time	$t_{AS}$	0	—	0	—	ns	12
Write pulse width	$t_{WP}$	40	—	50	—	ns	
Address hold from end of write	$t_{AH}$	0	—	0	—	ns	
Data valid to write end	$t_{DW}$	25	—	30	—	ns	
Data hold time	$t_{DH}$	0	—	0	—	ns	4, 5
Write enable to output in High Z	$t_{WZ}$	—	25	—	30	ns	4, 5
Output active from write end	$t_{OW}$	5	—	5	—	ns	4, 5

SRAM

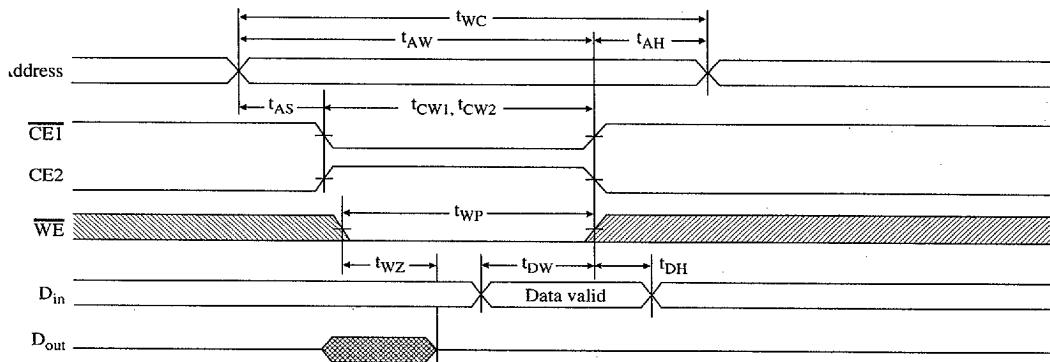
Write waveform 1 <sup>10,11,12</sup>

$\overline{WE}$  controlled



Write waveform 2 <sup>10,11,12</sup>

$\overline{CE1}$  and  $\overline{CE2}$  controlled

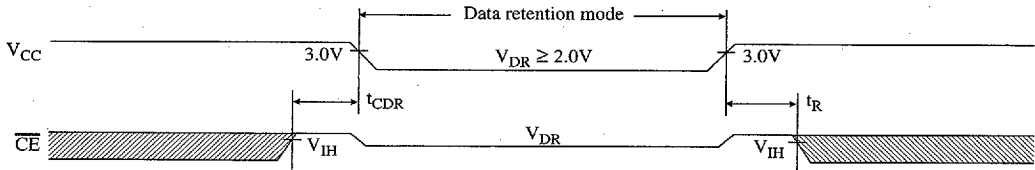




Data retention characteristics

Parameter	Symbol	Test conditions	Min	Max	Unit
$V_{CC}$ for data retention	$V_{DR}$	$V_{CC} = 2.0V$	2.0	—	V
Data retention current	$I_{CCDR}$	$\overline{CE1} \geq V_{CC} - 0.2V$ or $CE2 \leq 0.2V$	—	50	$\mu A$
Chip enable to data retention time	$t_{CDR}$		0	—	ns
Operation recovery time	$t_R$	$V_{in} \geq V_{CC} - 0.2V$ or $V_{in} \leq 0.2V$	5	—	ns
Input leakage current	$ I_{LI} $		—	1	$\mu A$

Data retention waveform



AC test conditions

- Output load: see Figure B, except for  $t_{CLZ}$  and  $t_{CHZ}$  see Figure C.
- Input pulse level: GND to 3.0V. See Figure A.
- Input rise and fall times: 5 ns. See Figure A.
- Input and output timing reference levels: 1.5V.

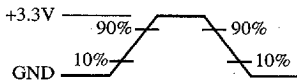


Figure A: Input waveform

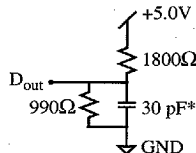


Figure B: Output load

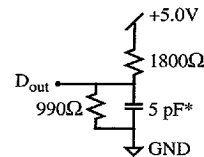
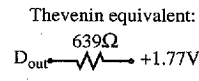


Figure C: Output load for  $t_{CLZ}$ ,  $t_{CHZ}$

\*including scope and jig capacitance

Notes

- 1 During  $V_{CC}$  power-up, a pull-up resistor to  $V_{CC}$  on  $\overline{CE1}$  is required to meet  $I_{SS}$  specification.
- 2 This parameter is sampled and not 100% tested.
- 3 For test conditions, see AC Test Conditions, Figures A, B, C.
- 4  $t_{CLZ}$  and  $t_{CHZ}$  are specified with  $CL = 5pF$  as in Figure C. Transition is measured  $\pm 500mV$  from steady-state voltage.
- 5 This parameter is guaranteed but not tested.
- 6  $\overline{WE}$  is HIGH for read cycle.
- 7  $\overline{CE1}$  and  $\overline{OE}$  are LOW and  $CE2$  is HIGH for read cycle.
- 8 Address valid prior to or coincident with  $\overline{CE}$  transition LOW.
- 9 All read cycle timings are referenced from the last valid address to the first transitioning address.
- 10  $\overline{CE1}$  or  $\overline{WE}$  must be HIGH or  $CE2$  LOW during address transitions.
- 11 All write cycle timings are referenced from the last valid address to the first transitioning address.
- 12  $\overline{CE1}$  and  $CE2$  have identical timing.



AS7C1024L ordering information

Package \ Access Time	55 ns	70 ns
Plastic DIP, 600 mil	AS7C1024L-55PC	AS7C1024L-70PC
	AS7C1024LL-55PC	AS7C1024LL-70PC
Plastic SOIC, 445 mil	AS7C1024L-55JC	AS7C1024L-70JC
	AS7C1024LL-55JC	AS7C1024LL-70JC
TSOP 8x20	AS7C1024L-55TC	AS7C1024L-70TC
	AS7C1024LL-55TC	AS7C1024LL-70TC

AS7C1024L part numbering system

AS7C	1024	XX	-XX	X	C
SRAM prefix	Device number	L = Low power LL = Very low power	Access time	Package: P = PDIP 600 mil S = SOIC 445mil T = TSOP 8x20	Commercial temperature range, 0°C to 70 °C

SRAM

■ 9003449 0000837 832 ■