

PLEASE CHECK WWW.MOLEX.COM FOR LATEST PART INFORMATION

Part Number: [0878342645](#)
Status: **Active**
Overview: [cgrid_sl_products](#)
Description: 2.54mm (.100") Pitch C-Grid® Header, Dual Row, Low Profile, Vertical, Through Hole, Shrouded, Lead-free, 26 Circuits, 0.13µm (5µ) Gold (Au) Selective Plating, Black, Center Polarization Slot, with Press-fit Locating Plastic Pegs

Documents:

[3D Model](#) [Product Specification PS-70246-100 \(PDF\)](#)
[Drawing \(PDF\)](#) [RoHS Certificate of Compliance \(PDF\)](#)

Agency Certification

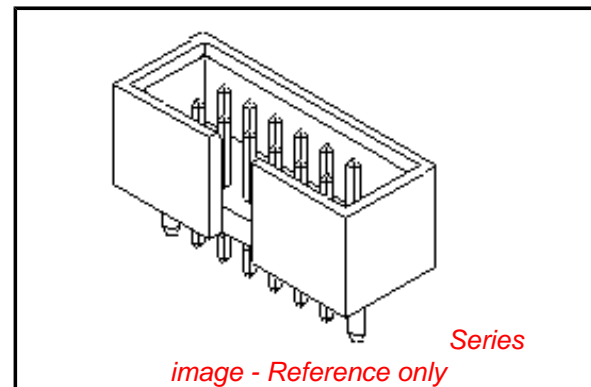
UL E29179

General

Product Family PCB Headers
 Series [87834](#)
 Application Wire-to-Board
 Overview [cgrid_sl_products](#)
 Product Name C-Grid®

Physical

Breakaway No
 Circuits (Loaded) 26
 Circuits (maximum) 26
 Color - Resin Black
 First Mate / Last Break No
 Flammability 94V-0
 Glow-Wire Compliant No
 Guide to Mating Part No
 Keying to Mating Part None
 Lock to Mating Part None
 Material - Plating Mating Gold
 Material - Plating Termination Tin
 Material - Resin Polyester
 Number of Rows 2
 Orientation Vertical
 PC Tail Length (in) 0.135 In
 PC Tail Length (mm) 3.43 mm
 PCB Locator Yes
 PCB Retention Yes
 Packaging Type Tray
 Pitch - Mating Interface (in) 0.100 In
 Pitch - Mating Interface (mm) 2.54 mm
 Pitch - Term. Interface (in) 0.100 In
 Pitch - Term. Interface (mm) 2.54 mm
 Plating min: Mating (µin) 5.2
 Plating min: Mating (µm) 0.13
 Plating min: Termination (µin) 75.2
 Plating min: Termination (µm) 1.88
 Polarized to Mating Part Center Slot
 Polarized to PCB Yes
 Shrouded Fully
 Stackable No
 Temperature Range - Operating -55°C to +120°C
 Termination Interface: Style Through Hole



EU RoHS

**ELV and RoHS
 Compliant**
**REACH SVHC
 Contains SVHC: No**
**Halogen-Free
 Status
 Not Reviewed**

China RoHS



**Need more information on product
 environmental compliance?**

Email productcompliance@molex.com
 For a multiple part number RoHS Certificate of Compliance, [click here](#)

Please visit the [Contact Us](#) section for any non-product compliance questions.

Search Parts in this Series

[87834Series](#)

Mates With

.050" pitch ribbon cable connectors

Electrical

Current - Maximum per Contact

2.5A

Voltage - Maximum

250V DC

Material Info**Reference - Drawing Numbers**

Packaging Specification

PK-87835-001

Product Specification

PS-70246-100

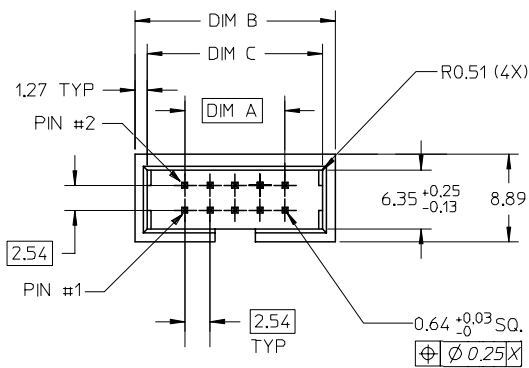
Sales Drawing

SD-87834-020

This document was generated on 05/25/2010

PLEASE CHECK WWW.MOLEX.COM FOR LATEST PART INFORMATION

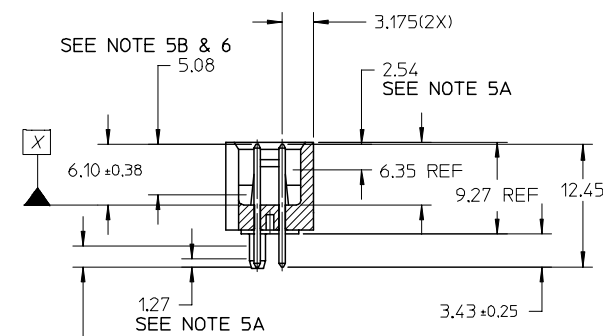
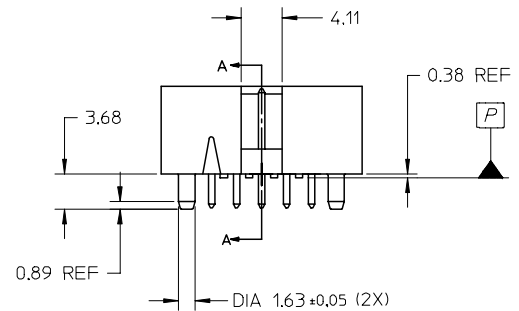
10 9 8 7 6 5 4 3 2 1



PART NUMBER LEGEND

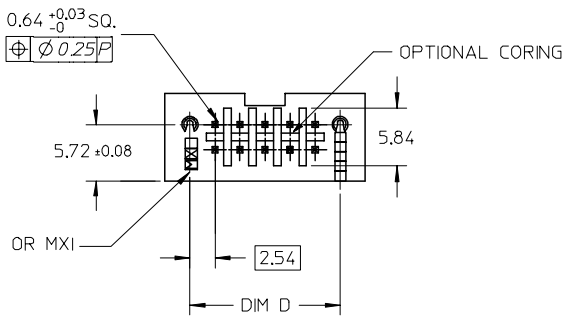
87834 - * * * 4 5
 CKT SIZES

PART NUMBERS	CKT SIZE	DIM A	DIM B	DIM C	DIM D
87834-0445	04	2.54	12.70	10.16	7.62
87834-0645	06	5.08	15.24	12.70	10.16
87834-0845	08	7.62	17.78	15.24	12.70
87834-1045	10	10.16	20.32	17.78	15.24
87834-1245	12	12.70	22.86	20.32	17.78
87834-1445	14	15.24	25.40	22.86	20.32
87834-1645	16	17.78	27.94	25.40	22.86
87834-1845	18	20.32	30.48	27.94	25.40
87834-2045	20	22.86	33.02	30.48	27.94
87834-2445	24	27.94	38.10	35.56	33.02
87834-2645	26	30.48	40.64	38.10	35.56
87834-3045	30	35.56	45.72	43.18	40.64
87834-3445	34	40.64	50.80	48.26	45.72
87834-4045	40	48.26	58.42	55.88	53.34
87834-4445	44	53.34	63.50	60.96	58.42
87834-5045	50	60.96	71.12	68.58	66.04
87834-5645	56	68.58	78.74	76.20	73.66
87834-6045	60	73.66	83.82	81.28	78.74
87834-6445	64	78.74	88.90	86.36	83.82
87834-7245	72	88.90	99.06	96.52	93.98

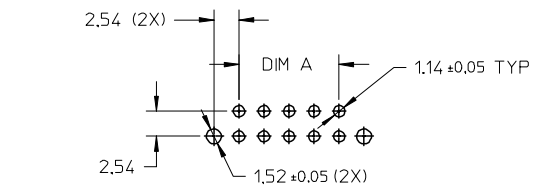


NOTES :

- MATERIAL :
 HOUSING : POLYESTER (PBT), 94V-0, COLOUR: BLACK,
 PIN : COPPER ALLOY.
- PIN PUSHOUT FORCE 0.91 KG MIN.
- PRODUCT SPECIFICATION PS-70246-100 APPLIES.
- WAFER TO BE FLAT WITHIN 0.03MM/CM
- DIMENSIONS FOR PLATING LOCATIONS : A - MEASURE POINT FOR THICKNESS,
 B - MINIMUM COVERAGE.
- GOLD END OF PIN UNLESS OVERALL PLATED.
- FINISH :
 0.13um MIN GOLD IN SELECTED AREA,
 AND 1.91um MIN TIN IN SELECTED AREA,
 BOTH OVER 1.27um MIN NICKEL OVERALL.
- FOR ILLUSTRATION PURPOSE A 10 CKT IS SHOWN.
- WEEK/YEAR STAMP NOT REQUIRED BY CUSTOMER.



2.54 SEE NOTE 5B & 6
 SECTION A-A



RECOMMENDED PCB PATTERN

ADD MATERIAL NOTE EC NO: S2005-0319 DRAWN:ATSEE 2004/12/08 CHKD:SHONG 2004/12/09 APPR:SKTOH 2004/12/13	QUALITY SYMBOLS = 0 = 0	GENERAL TOLERANCES (UNLESS SPECIFIED)		DIMENSION STYLE MM ONLY	SCALE NTS	DESIGN UNITS METRIC	THIRD ANGLE PROJECTION
		4 PLACES ± --- ± --- 3 PLACES ± --- ± --- 2 PLACES ± 0.20 ± --- 1 PLACE ± --- ± ---	mm INCH	DRAWN BY DATE RSHAN 2003/11/20	TITLE C-GRID, SHROUDED WAFER SLOTTED, WITH IN-LINE POLARIZATION PEG		
		ANGULAR ± 3 °	APPROVED BY DATE SKTOH 2003/12/06	MOLEX INCORPORATED	DOCUMENT NO. SD-87834-020		
		DRAFT WHERE APPLICABLE MUST REMAIN WITHIN DIMENSIONS	SEE TABLE	MATERIAL NO. SKTOH	SHEET NO. 1 OF 1		

THIS DRAWING CONTAINS INFORMATION THAT IS PROPRIETARY TO MOLEX INCORPORATED AND SHOULD NOT BE USED WITHOUT WRITTEN PERMISSION

9 8 7 6 5 4 3 2 1