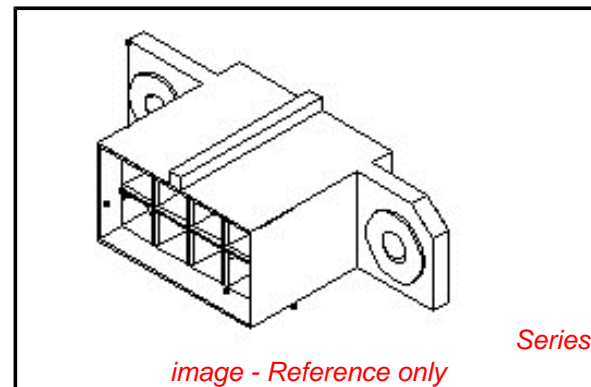


PLEASE CHECK WWW.MOLEX.COM FOR LATEST PART INFORMATION

Part Number: [0520250811](#)
Status: **Active**
Description: 5.00mm (.197") Pitch Wire-to-Wire Plug Housing, Floating-Fit Drawer Type, 8 Circuits

Documents:

3D Model	Product Specification PS-51010-004 (PDF)
Drawing (PDF)	Product Specification PS-51010-005 (PDF)
Product Specification PS-51010-001 (PDF)	Product Specification PS-51010-006 (PDF)
Product Specification PS-51010-002 (PDF)	Product Specification PS-51010-007 (PDF)
Product Specification PS-51010-003 (PDF)	RoHS Certificate of Compliance (PDF)



Agency Certification

CSA	LR19980
TUV	R72081037
UL	E29179

General

Product Family	Crimp Housings
Series	52025
Product Name	N/A

Physical

Circuits (maximum)	8
Flammability	94V-0
Gender	Male
Glow-Wire Compliant	No
Lock to Mating Part	Yes
Number of Rows	2
Packaging Type	Bag
Panel Mount	Yes
Pitch - Mating Interface (in)	0.197 In
Pitch - Mating Interface (mm)	5.00 mm
Stackable	No
Temperature Range - Operating	-40°C to +105°C

Material Info

Reference - Drawing Numbers

Packaging Specification	SPK-52025-001
Product Specification	PS-51010-001, PS-51010-002, PS-51010-003, PS-51010-004, PS-51010-005, PS-51010-006, PS-51010-007
Sales Drawing	SD-52025-001

EU RoHS **China RoHS**

RoHS Compliant by Exemption
REACH SVHC
Contains SVHC: No
Halogen-Free
Status
Not Halogen-Free



Need more information on product environmental compliance?

Email productcompliance@molex.com
 For a multiple part number RoHS Certificate of Compliance, [click here](#)

Please visit the [Contact Us](#) section for any non-product compliance questions.

Search Parts in this Series

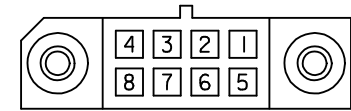
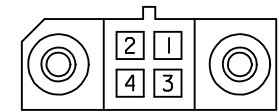
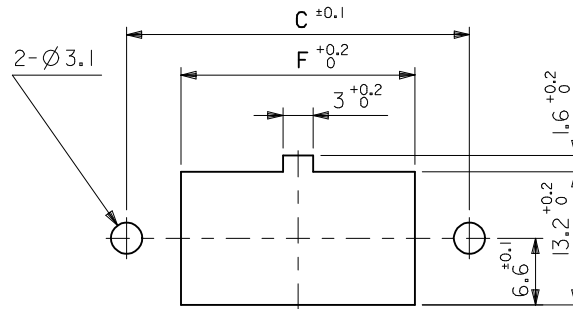
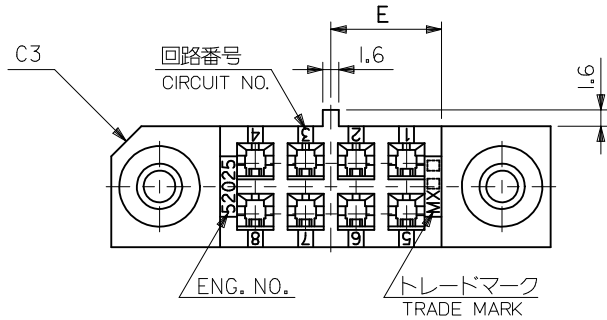
[52025Series](#)

Mates With

[51010](#) receptacle housing

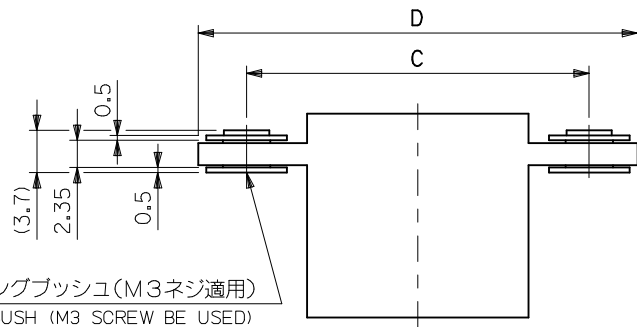
Use With

[5558](#)

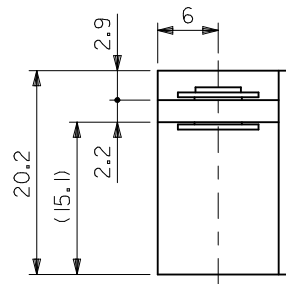


パネル切抜寸法 (参考)
PANEL CUT OFF DIMENSION (REFERENCE)

回路レイアウト図

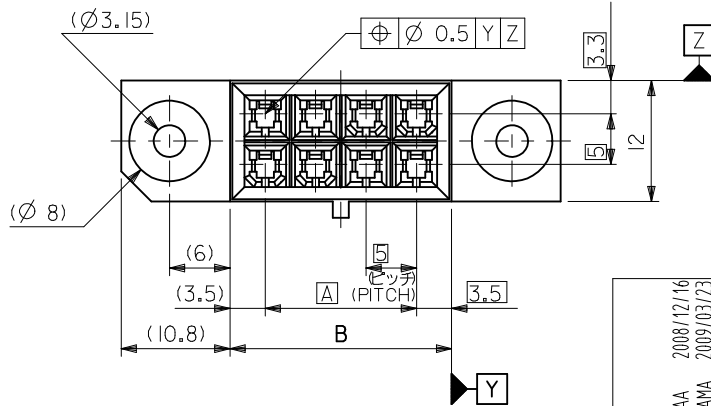
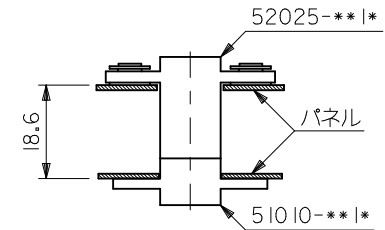


フローティングブッシュ(M3ネジ適用)
FLOATING BUSH (M3 SCREW BE USED)



注記
NOTES

- 適用ターミナル : 5558 シリーズ
APPLICABLE TERMINAL : 5558 SERIES
- 嵌合相手 : 51010-***
MATES WITH : 51010-***
- パネル外-外寸法 : 18.6 (下図参照)
BETWEEN PANEL-PANEL DIMENSION : 18.6 (SEE BELOW FIGURE)



材料
MATERIAL
本体 : G.F.15% PBTP, UL94V-0
HOUSING : G.F.15% PBTP, UL94V-0
ブッシュ : 黄銅, ニッケルメッキ
BUSH : BRASS, NICKEL PLATING

REVISED
EC NO:
D
DRWN: KAKURAA 2008/12/16
CHKD: T. HARUYAMA 2009/03/23
APPR: T. HARUYAMA 2009/03/24

DESCRIPTION
GENERAL TOLERANCES (UNLESS SPECIFIED)
10 UNDER ±0.2
10 OVER 30 UNDER ±0.25
30 OVER ±0.3
ANGULAR ±3 °
DRAFT WHERE APPLICABLE
MUST REMAIN WITHIN DIMENSIONS

DIMENSION STYLE
MM ONLY
DRAWN BY: T. HIRAMOTO
DATE: '89/11/24
CHECKED BY: M. FUKUSHIMA
DATE: '90/4/5
APPROVED BY: M. ENOMOTO
DATE: '90/4/5
MATERIAL NO.
SIZE: A3
THIS DRAWING CONTAINS INFORMATION THAT IS PROPRIETARY TO MOLEX INCORPORATED AND SHOULD NOT BE USED WITHOUT WRITTEN PERMISSION

SCALE: 2:1
DESIGN UNITS: METRIC
TITLE: MINI. DRAWER CONN. CRIMP PIN HOUSING ASSY
MATERIAL NO.: 52025-0811, 52025-0411
COLOR: BLACK
極数: 8, 4
MODEL NO.: 52025-***1*
THIRD ANGLE PROJECTION
MOLEX INCORPORATED
DOCUMENT NO.: SD-52025-001
SHEET NO.: 1 OF 1