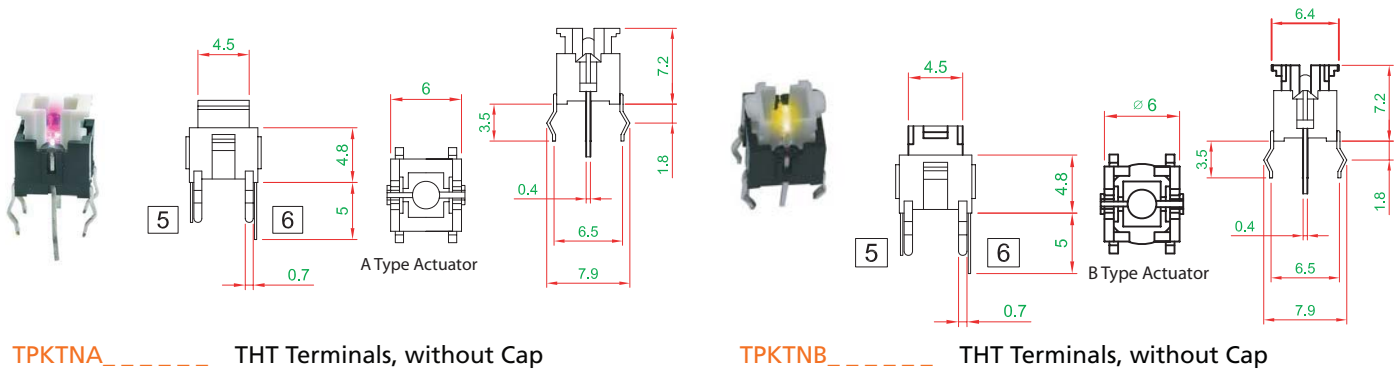


Tactile Switches

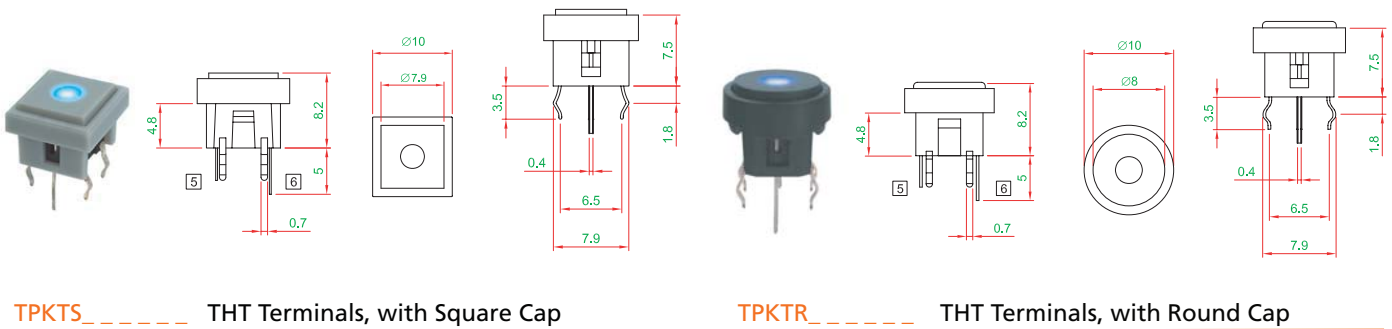
Tactile Switches with LED (two colors available)

TPK Series



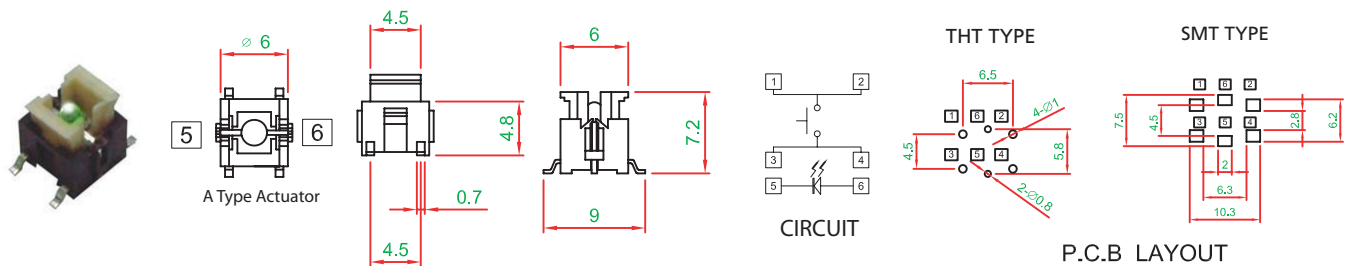
TPKTNA THT Terminals, without Cap

TPKTNB THT Terminals, without Cap



TPKTS THT Terminals, with Square Cap

TPKTR THT Terminals, with Round Cap



TPKSNA SMT Terminals, without Cap

How to order:

TPK

1 TYP OF TERMINALS:

- T THT Type
- S SMT Type

2 FRAME TYPE:

- R Round
- S Square
- A Without Cap(A Type Actuator)
- B Without Cap(B Type Actuator)

3 HOUSING COLOR:

- H Gray
- A Black
- N Without

4 CAP COLOR:

- H Gray
- A Black
- B White
- D Orange
- C Red
- N Without

5 LED#1 BRIGHTNESS:

- U Ultra Bright
- R Regular
- N Without

6 LED#1 COLORS:

- G Blue
- F Green
- B White
- E Yellow
- C Red
- N Without

7 LED#2 BRIGHTNESS:

- U Ultra Bright
- R Regular
- N Without

8 LED#2 COLOR:

- G Blue
- F Green
- B White
- E Yellow
- C Red
- N Without

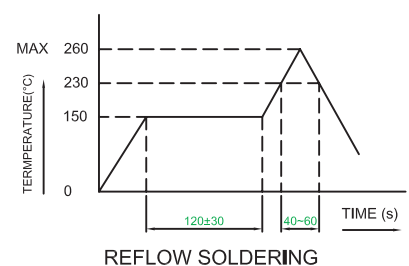
General Specifications:

FEATURES

- » NON-Lock Momentary
- » Single pole
- » LED illuminated
- » Two colors available
- » Small size
- » Long life

MATERIALS

- » COVER - PA
- » ACTUATOR - PBT + GF (SMD TYPE : PA)
- » BASE FRAME - PA + GF (SMD TYPE : PA)
- » TERMINAL - BRASS SILVER PLATING



Tactile Switches

Tactile Switches with LED (two colors available)

TPK Series



TPKTNANN_ _ _ _ _

Code	Housing	Cap	LED 1	LED 2	Std. packing (PCS)
TPKTNANNRFNN	none	none	pure green	none	3400
TPKTNANNUGNN	none	none	blue	none	3400
TPKTNANNUBNN	none	none	white	none	3400
TPKTNANNUFNN	none	none	green	none	3400
TPKTNANNUCNN	none	none	red	none	3400
TPKTNANNUENN	none	none	yellow	none	3400
TPKTNANNUCUF	none	none	red	green	3400
TPKTNANNUCUE	none	none	red	yellow	3400
TPKTNANNUFUE	none	none	green	yellow	3400



TPKTNBNN_ _ _ _ _

Code	Housing	Cap	LED 1	LED 2	Std. packing (PCS)
TPKTNBNNRFNN	none	none	pure green	none	3400
TPKTNBNNUGNN	none	none	blue	none	3400
TPKTNBNNUBNN	none	none	white	none	3400
TPKTNBNNUFNN	none	none	green	none	3400
TPKTNBNNUCNN	none	none	red	none	3400
TPKTNBNNUENN	none	none	yellow	none	3400
TPKTNBNNUCUF	none	none	red	green	3400
TPKTNBNNUCUE	none	none	red	yellow	3400
TPKTNBNNUFUE	none	none	green	yellow	3400



TPKTSHH_ _ _ _ _

Code	Housing (square)	Cap (square)	LED 1	LED 2	Std. packing (PCS)
TPKTSHHRFNN	gray	gray	pure green	none	3400
TPKTSHHUGNN	gray	gray	blue	none	3400
TPKTSHHUBNN	gray	gray	white	none	3400
TPKTSHHUFNN	gray	gray	green	none	3400
TPKTSHHUCNN	gray	gray	red	none	3400
TPKTSHHUENN	gray	gray	yellow	none	3400
TPKTSHHUCUF	gray	gray	red	green	3400
TPKTSHHUCUE	gray	gray	red	yellow	3400
TPKTSHHUFUE	gray	gray	green	yellow	3400



TPKTAAA_ _ _ _ _

Code	Housing (round)	Cap (round)	LED 1	LED 2	Std. packing (PCS)
TPKTAAARFNN	black	black	pure green	none	3400
TPKTAAUGNN	black	black	blue	none	3400
TPKTAAUBNN	black	black	white	none	3400
TPKTAAUFNN	black	black	green	none	3400
TPKTAAUCNN	black	black	red	none	3400
TPKTAAUENN	black	black	yellow	none	3400
TPKTAAUCUF	black	black	red	green	3400
TPKTAAUCUE	black	black	red	yellow	3400
TPKTAAUFUE	black	black	green	yellow	3400

Tactile Switches

Tactile Switches with LED (two colors available)

TPK Series



TPKTSNH _ _ _ _

Code	Housing	Cap	LED 1	LED 2	Std. packing (PCS)
TPKTSNHRFNN	none	gray	pure green	none	3400
TPKTSNHUGNN	none	gray	blue	none	3400
TPKTSNHUBNN	none	gray	white	none	3400
TPKTSNHUFNN	none	gray	green	none	3400
TPKTSNHUCNN	none	gray	red	none	3400
TPKTSNHUENN	none	gray	yellow	none	3400
TPKTSNHUCUF	none	gray	red	green	3400
TPKTSNHUCUE	none	gray	red	yellow	3400
TPKTSNHUFUE	none	gray	green	yellow	3400



TPKTRNF _ _ _ _

Code	Housing	Cap	LED 1	LED 2	Std. packing (PCS)
TPKTRNFRFNN	none	green	pure green	none	3400
TPKTRNFUGNN	none	green	blue	none	3400
TPKTRNFUBNN	none	green	white	none	3400
TPKTRNFUFNN	none	green	green	none	3400
TPKTRNFUCNN	none	green	red	none	3400
TPKTRNFUENN	none	green	yellow	none	3400
TPKTRNFCRUF	none	green	red	green	3400
TPKTRNFUCUE	none	green	red	yellow	3400
TPKTRNFUFUE	none	green	green	yellow	3400



TPKTRNC _ _ _ _

Code	Housing	Cap	LED 1	LED 2	Std. packing (PCS)
TPKTRNCRFNN	none	red	pure green	none	3400
TPKTRNCUGNN	none	red	blue	none	3400
TPKTRNCUBNN	none	red	white	none	3400
TPKTRNCUFNN	none	red	green	none	3400
TPKTRNCUCNN	none	red	red	none	3400
TPKTRNCUENN	none	red	yellow	none	3400
TPKTRNCUCUF	none	red	red	green	3400
TPKTRNCUCUE	none	red	red	yellow	3400
TPKTRNCUFUE	none	red	green	yellow	3400

SWITCH SPECIFICATIONS	
POLE - POSITION	1P1T , with LED
CONTACT RATING	12 V DC , 50 mA
CONTACT RESISTANCE	100 mΩ max . 1.5 V DC ; 100 mA , by Method of Voltage DROP
INSULATION RESISTANCE	100 MΩ min . 500 V DC
DIELECTRIC STRENGTH	Breakdown is not Allowable ; 500 V AC for 1 Minute
OPERATING FORCE	180 ± 50 gf
OPERATING LIFE	500,000 cycles
OPERATING TEMPERATURE RANGE	-20°C ~ 70°C
TOTAL TRAVEL	0.2 ± 0.1 mm

LED SPECIFICATIONS							
ATTENTION	LED Symbol	Unit	Value / LED Color				
			Blue	Green	Red	White	Yellow
ATTENTION LEDs are Electrostatic Sensitive devices		FORWARD CURRENT	30	30	15	30	20
		REVERSE VOLTAGE	5.0	5.0	5.0	5.0	5.0
		REVERSE CURRENT	10	10	10	10	10
		FORWARD VOLTAGE@20mA	3.5-4.0	1.7-2.8	1.7-2.8	3.3-3.8	1.7-2.8
		LUMINOUS INTENSITY@10mA	180-245	24-40	4.0-7.0	145	18-30