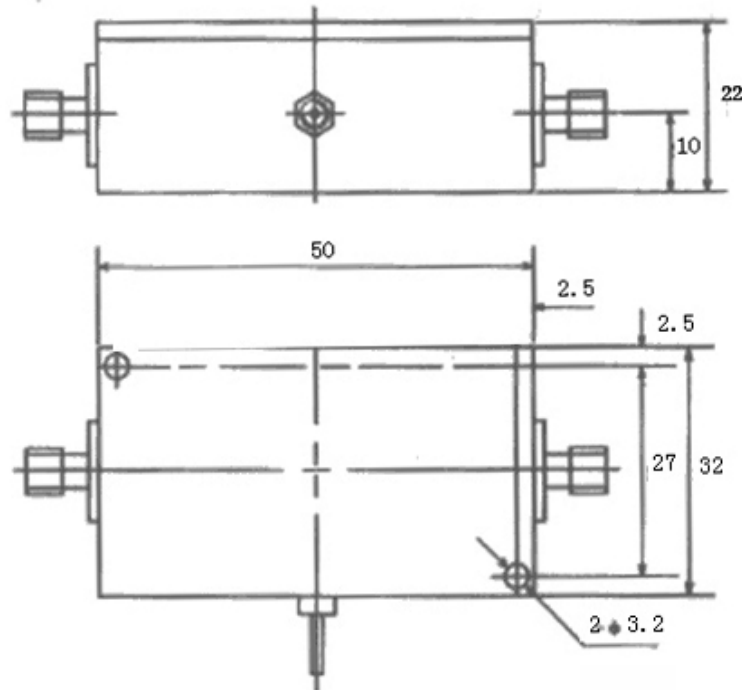


## Low Noise Amplifier

P/N: JXWBLA-T-85-115-42

Frequency Range(MHz)	85-115
Gain(dB)	42 min@85-115MHz
	45 min@100MHz
Noise Figure(dB)	1 max
VSWR	1.8
Pout@1dB(dBm)	0 min, 5 max
Power Supply(V)	+12
Power Current(mA)	100
Connector	N-Female
Size(mm)	50 x 32 x 22
Net Weight(Kg)	0.075 Around

### Outline Drawing



For current data sheets, please contact: [sales@aacix.com](mailto:sales@aacix.com)