

**● Product Picture/产品外观图片**

**● Features/产品特性描述**

1. Emitted Color/发光颜色: Pure White/正白、Warm White/暖白、Red/红、Yellow/黄、Blue/蓝、Green/绿
2. Lens Appearance/发光体种类: Water Clear/透明
3. Material of crust /外壳材质: Ground Glass/磨砂玻璃
4. CE Approved /产品安全规范符合 CE 标准
5. RoHS Compliant /产品符合欧盟相关 RoHS 法规
6. Base Type /接口类型: E27
7. Choices of luminous intensities for indoor application/选择的发光强度适合于室内照明
8. The useful lifetime of the product is more than 30000 hours/  
该产品使用寿命超过 30000 小时

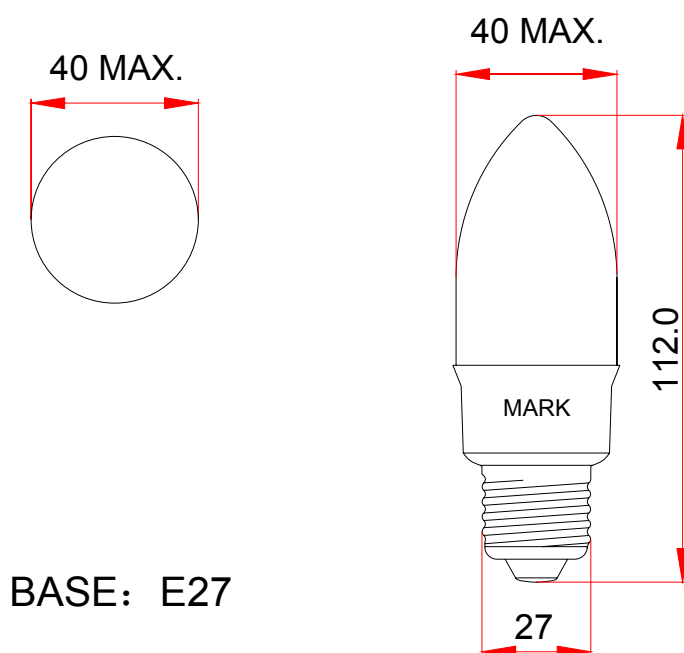
**● Absolute Maximum Ratings /产品的极限使用条件**

Parameter /项目	Symbol /代码	Rating /范围			Unit
		Min./最小值	Typ./标准值	Max./最大值	
Input Voltage AC /输入电压	V <sub>in</sub>	200	220	240	V
AC Frequency /电压频率	F	47	50	63	Hz
Input Current AC/输入电流	I(rms)	-	0.022	0.03	A
Operating Tem./工作温度	T <sub>a</sub>	-25	25	50	°C
Operating Hum./相对湿度	H <sub>a</sub>	5%-95%(No Water/不结露)			-
Storage Tem./存储温度	T <sub>s</sub>	-35~60			°C

**● Electrical and optical characteristics (Ta=25°C) /产品的电气及光电参数**

Parameter /项目	Condition/条件	Symbol /代码	Min. /最小值	Typ./标准值	Max./最大值	Unit
Power Dissipation /功率	V <sub>in</sub> =220V~,50Hz	P <sub>d</sub>	1	1.5	2	W
Luminous Flux /光通量	V <sub>in</sub> =220V~,50Hz	IV(P)	56	70	90	Lm
		IV(W)	52	60	80	Lm
		IV(R)	48	52	55	Lm
		IV(Y)	48	52	55	Lm
		IV(B)	12	14	16	Lm
		IV(G)	50	60	70	Lm
Color Temperature /色温	V <sub>in</sub> =220V~,50Hz	C.T.(P)	4000	6000	8000	K
		C.T.(W)	3000	3500	4000	K
		C.T.(R)	620	625	630	nm
		C.T.(Y)	585	590	595	nm
		C.T.(B)	465	470	475	nm
		C.T.(G)	520	525	530	nm
Viewing Angle /发光角度	V <sub>in</sub> =220V~,50Hz	θ	-	120	-	Deg

● Package Dimensions /产品尺寸图



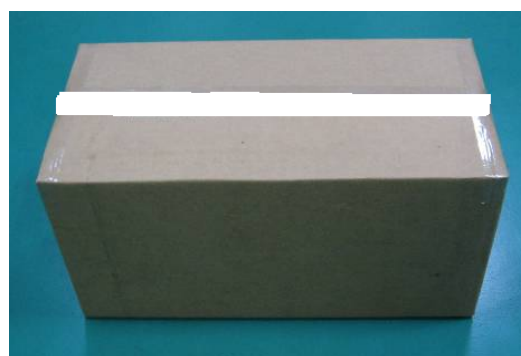
Notes /备注:

1. All dimensions are in millimeters. /所有的尺寸单位为 mm.
2. Tolerance is  $\pm 0.5$  mm unless otherwise specified. /默认的尺寸公差为 $\pm 0.5$  mm.
3. Specifications are subject to change without notice. /产品外形若有变更, 恕不特别通知.

● Product Packaging Picture/产品包装图



67X67X92mm  
1pcs/盒



710X360X210mm  
100PCS/箱