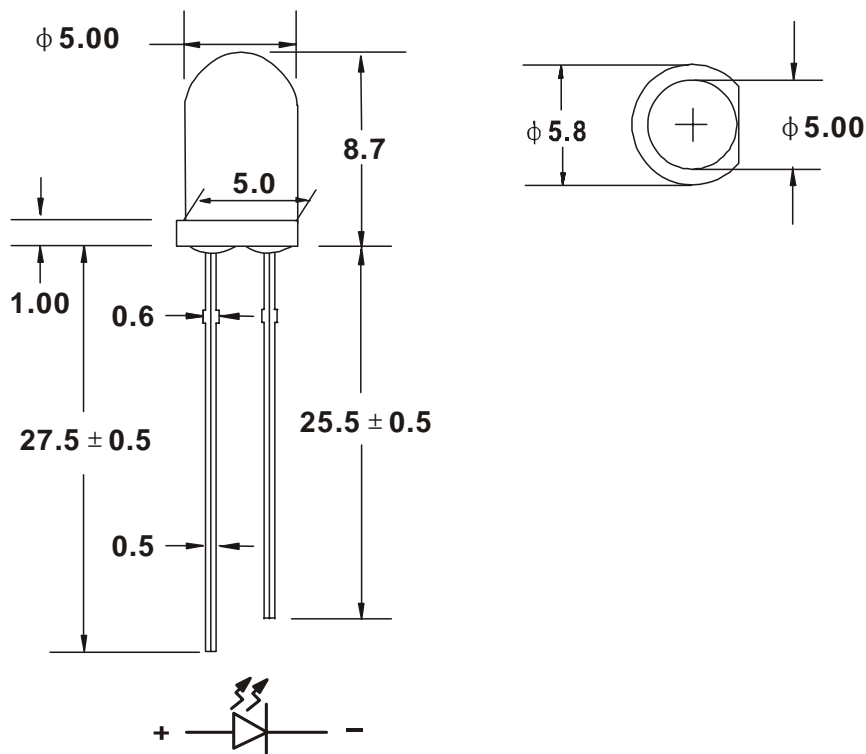


品名: 5W4VC-Exxxx

单位: mm

NOTE:TOLERANCE ± 0.5 mm

Parameter	Symbol	Min.	Typ.	Max.	UNIT	Test Condition
Luminous Intensity	IV	5801		7000	mcd	IF=20mA
Viewing Angle	2θ 1/2	10		60	Deg	
Peak Emission Wavelength	λP		B/Y		nm	IF=20mA
Spectral Line Half-Width	$\Delta\lambda$		30		nm	IF=20mA
Forward Voltage	VF	3.0	3.2	3.8	V	IF=20mA
Reverse Current	IR			10	μA	VR=5V

■ ABSOLUTE MAXIMUM RATINGS: ($T_a = 25^\circ C$)

■ OPERATING TEMPERATURE: $-40^\circ C$ TO $+80^\circ C$

■ LEAD SOLDERING: $260^\circ C$ FOR 5 SECONDS