

**PLEASE CHECK WWW.MOLEX.COM FOR LATEST PART INFORMATION**

**Part Number:** **0561349100**  
**Status:** **Active**  
**Overview:** microclasp  
**Description:** 2.00mm (.079") Pitch Crimp Terminal 56134, Female, 22-28 AWG, Bag, Copper Alloy, for 51242/51353/51382/500915 Housings

**Documents:**

<a href="#">3D Model</a>	<a href="#">Product Specification PS-51242-002 (PDF)</a>
<a href="#">Drawing (PDF)</a>	<a href="#">Product Specification PS-51353-003 (PDF)</a>
<a href="#">Product Specification PS-500637-001 (PDF)</a>	<a href="#">Product Specification PS-51382-004 (PDF)</a>
<a href="#">Product Specification PS-500730-001 (PDF)</a>	<a href="#">RoHS Certificate of Compliance (PDF)</a>
<a href="#">Product Specification PS-51242-001 (PDF)</a>	

**General**

Product Family	Crimp Terminals
Series	56134
Crimp Quality Equipment	Yes
MolexKits	Yes
Overview	microclasp
Product Name	MicroClasp™

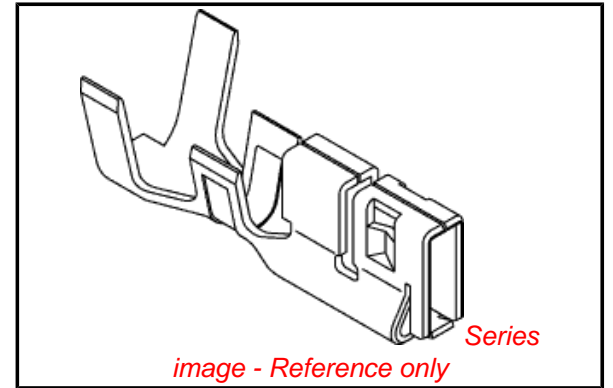
**Physical**

Gender	Female
Material - Metal	Copper-Nickel-Silicon
Material - Plating Mating	Tin
Material - Plating Termination	Tin
Packaging Type	Bag
Plating min: Mating (µin)	36
Plating min: Mating (µm)	0.90
Plating min: Termination (µin)	36
Plating min: Termination (µm)	0.90
Termination Interface: Style	Crimp or Compression
Wire Insulation Diameter	0.90-1.70mm (.035-.067")
Wire Size AWG	22, 24, 26, 28
Wire Size mm²	N/A

**Material Info**

**Reference - Drawing Numbers**

Product Specification	PS-500637-001, PS-500730-001, PS-51242-001, PS-51242-002, PS-51353-003, PS-51382-004, RPS-500637-001, RPS-500730-001, RPS-501844-001, RPS-51216-012, RPS-51242-004, RPS-51242-005, RPS-51353-005, RPS-51353-008, RPS-51353-009, RPS-51353-010, RPS-51353-014, RPS-51353-016, RPS-51353-017, RPS-51353-018, RPS-51353-019, RPS-51353-020, RPS-51353-022, RPS-51353-024, RPS-51353-025, RPS-51353-026, RPS-51353-027, RPS-51353-031, RPS-51382-006, RPS-51382-007, RPS-51382-008, RPS-51382-009, RPS-51382-010, RPS-51382-011, RPS-51382-012, RPS-51382-013, RPS-51382-014, RPS-51382-015
Sales Drawing	SD-56134-005



**EU RoHS**

**ELV and RoHS Compliant**  
**REACH SVHC Contains SVHC: No**  
**Halogen-Free Status**

**China RoHS**



**Need more information on product environmental compliance?**

Email [productcompliance@molex.com](mailto:productcompliance@molex.com)  
 For a multiple part number RoHS Certificate of Compliance, [click here](#)

Please visit the [Contact Us](#) section for any non-product compliance questions.

**Search Parts in this Series**

56134Series

**Use With**

500915 Dual Row Crimp Housing, 51242 Dual Row Crimp Housing, 51353 Dual Row Crimp Housing, 51382 Single Row Crimp Housing

**Application Tooling | FAQ**

*Tooling specifications and manuals are found by selecting the products below. Crimp Height Specifications are then contained in the Application Tooling Specification document.*

**Global**

Description	Product #
HAND CRIMP TOOL	<a href="#">0638116300</a>
Extraction Tool	<a href="#">0638132700</a>

**Japan**

Description	Product #
Hand Crimp Tool	<a href="#">0574045300</a>

This document was generated on 06/07/2010

**PLEASE CHECK [WWW.MOLEX.COM](http://WWW.MOLEX.COM) FOR LATEST PART INFORMATION**

DWG. NO. SD-56134-005

F

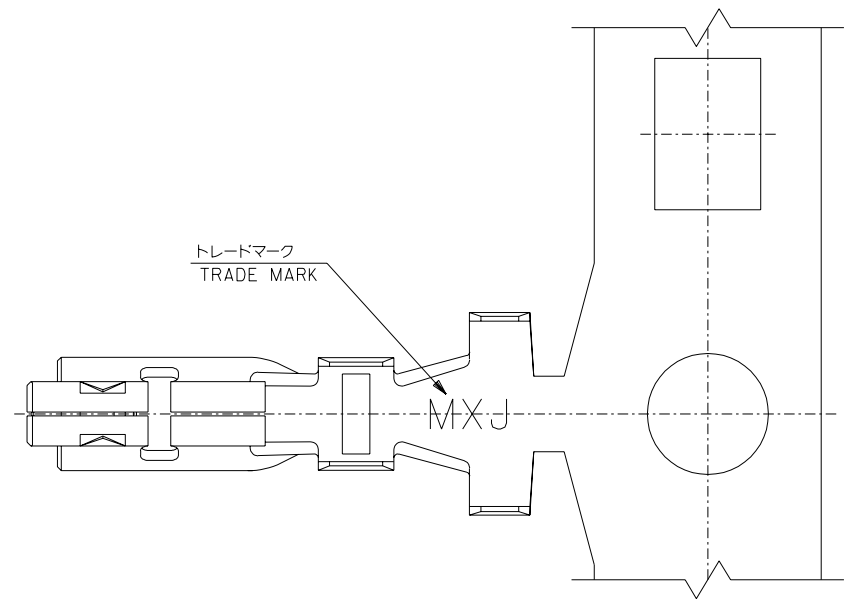
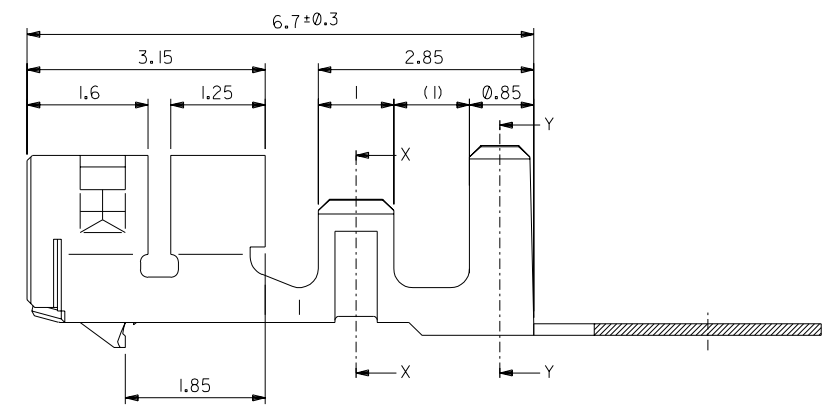
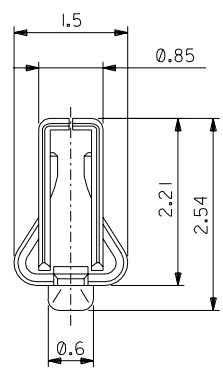
D

V

C

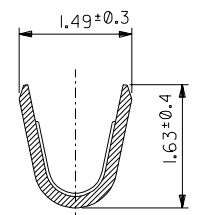
B

DO NOT SCALE DRAWING

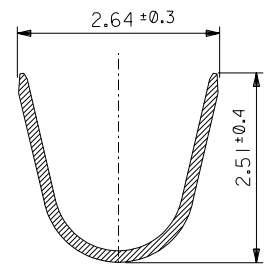


注記  
NOTES

1. 使用材料 : 銅合金, 鍍メッキ (t=0.15)  
MATERIAL : PRE-TINNED COPPER ALLOY
2. 適合ハウジング : 51242, 51382, 51353シリーズ  
APPLICABLE HOUSING : 51242, 51382, 51353 SERIES



SECT. X-X



SECT. Y-Y

無鉛  
LEAD FREE

56134-9100	バラ状 LOOSE
56134-9000	連鎖状 CHAIN
MATERIAL NO.	端子形状 FORM

64NO. DRAWN: CHK: APPR:	63NO. DRAWN: CHK: APPR:	REVISED 62NO. J2003-3127 DRAWN: N.ITO '03/06/12 CHK: K.ASAKAWA APPR: T.YAMAGUCHI	REVISED 61NO. J2002-2307 DRAWN: N.ITO '02/03/18 CHK: K.ASAKAWA APPR: T.YAMAGUCHI	REVISED 60NO. J2002-1826 DRAWN: N.ITO '02/02/28 CHK: K.ASAKAWA APPR: T.YAMAGUCHI	MATERIAL 材料 注記参照 SEE NOTES	GENERAL TOLERANCES: (UNLESS SPECIFIED) 一般公差
					FINISH 仕上げ //	WIRE RANGE 適用線径範囲 0.086 ~ 0.4 mm <sup>2</sup>

56134-9*00		MODEL NO.	DIMENSIONS:		SHT	REV
SCALE 15:1	DESIGN UNITS <input checked="" type="checkbox"/> mm <input type="checkbox"/> INCH	<input checked="" type="checkbox"/> 1ST ANGLE PROJECTION	<input type="checkbox"/> mm INCH	<input type="checkbox"/> mm ONLY		
DRAWN BY & DATE N.ITO '02/02/28		TITLE: 2.0mm W-+-B CONN CRIMP RECEPTACLE				
CHECKED BY & DATE K.ASAKAWA '03/06/12		MOLEX MOLEX INCORPORATED				
APPROVED BY & DATE T.YAMAGUCHI '03/06/12		MATERIAL NO. SEE CHART	DRAWING NO. SD-56134-005	SHEET NO. 1 OF 1		
CAD FILENAME 56134005.S01						
THIS DRAWING CONTAINS INFORMATION THAT IS PROPRIETARY TO MOLEX INCORPORATED AND SHOULD NOT BE USED WITHOUT WRITTEN PERMISSION.						
					SIZE B	