

PLEASE CHECK WWW.MOLEX.COM FOR LATEST PART INFORMATION

Part Number: [0357255110](#)
Status: **Active**
Description: 6.35mm (.250") Tab Slip-On Wire-to-Wire Terminal, Female, 18-14 AWG, Tin-Plated

Documents:

[Drawing \(PDF\)](#) [Product Specification PS-35827-001 \(PDF\)](#)
[Product Specification PS-35546-001 \(PDF\)](#) [RoHS Certificate of Compliance \(PDF\)](#)
[Product Specification PS-35546-002 \(PDF\)](#)

General

Product Family Crimp Terminals
 Series [35725](#)
 Crimp Quality Equipment Yes
 Product Name Tab and Receptacle

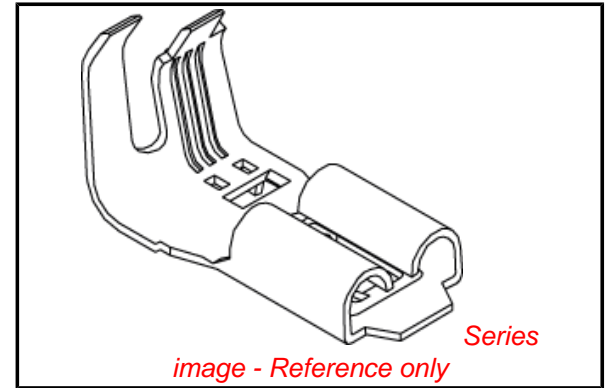
Physical

Gender Female
 Material - Metal Brass
 Material - Plating Mating Tin
 Material - Plating Termination Tin
 Packaging Type Reel
 Termination Interface: Style Crimp or Compression
 Wire Insulation Diameter 3.60mm (.142") max.
 Wire Size AWG 14, 16, 18
 Wire Size mm² N/A

Material Info

Reference - Drawing Numbers

Product Specification PS-35546-001, PS-35546-002, PS-35827-001
 Sales Drawing SD-35725-501



EU RoHS

ELV and RoHS Compliant
REACH SVHC
 Not Reviewed
Halogen-Free Status
Not Reviewed

China RoHS



Need more information on product environmental compliance?

Email productcompliance@molex.com
 For a multiple part number RoHS Certificate of Compliance, [click here](#)

Please visit the [Contact Us](#) section for any non-product compliance questions.

Search Parts in this Series

[35725Series](#)

Mates With

[6.35mm \(.250"\) Tab](#)

Use With

[35546](#) , [35547](#)

Application Tooling | FAQ

Tooling specifications and manuals are found by selecting the products below. Crimp Height Specifications are then contained in the Application Tooling Specification document.

Global

Description	Product #
Hand Crimp Tool for 6.35mm (.250") Tab Slip-On Receptacle Terminals	0638197300
Extraction Tool	0638132700

This document was generated on 06/08/2010

PLEASE CHECK WWW.MOLEX.COM FOR LATEST PART INFORMATION

DO NOT SCALE DRAWING
DIMENSION IN METRIC

DWG. NO.
SD-35725-501

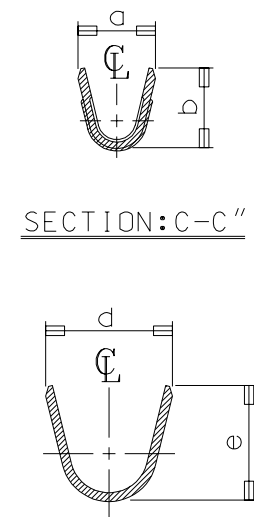
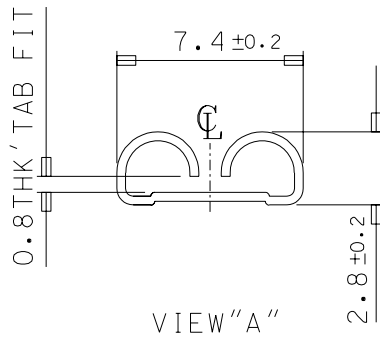
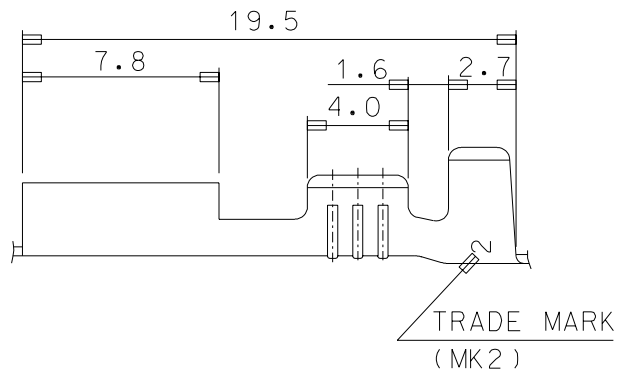
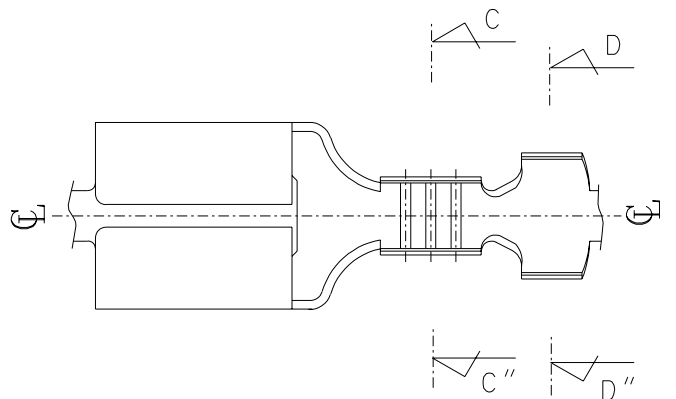
SIMILAR ITEM

PROJECT NO.

C

B

"A"



SECTION: C-C"

SECTION: D-D"

ENG. NO.	a	b	d	e	WIRE RANGE
35725-5010	2.9	2.8	3.8	3.8	AWG #22-#20
35725-5110	3.6	3.5	5.5	5.0	AWG #18-#14
35725-5210	5.1	4.6	6.2	6.1	AWG #14-#12

NOTES

- MATERIAL : TIN PLATED BRASS
- APPLICABLE TAB THICKNESS : 0.8mm

REVISED EC NO. KOR2002-0099 DRWN: C.B.CHIN 01/04/08 CHK: W.Y.YANG APPR: C.W.LEE	DESCRIPTION MAJOR = 0 CRITICAL = 0	QUALITY SYMBOLS		GENERAL TOLERANCES: (UNLESS SPECIFIED)	SCALE 5:1	DESIGN UNITS <input checked="" type="checkbox"/> mm <input type="checkbox"/> INCH	THIRD ANGLE PROJECTION	DIMENSIONS: <input type="checkbox"/> mm <input type="checkbox"/> INCH <input checked="" type="checkbox"/> mm ONLY	SHT	REV	
		4 PLACES	±0.	mm	INCH	±.	±.	DRAWN BY & DATE W.Y.YANG 98/10/22			
		3 PLACES	±0.	mm	INCH	±.	±.	CHECKED BY & DATE B.K.CHOI 98/10/22			
		2 PLACES	±0.30	mm	INCH	±.	±.	APPROVED BY & DATE C.W.LEE 98/10/22			
1 PLACE	±0.30	mm	INCH	±.	±.	TITLE: .250 SLIP-ON RECEPTACLE					
ANGULAR: ± °		DRAFT WHERE APPLICABLE MUST REMAIN WITHIN DIMENSIONS		CAD FILENAME S7255010.DGN		MATERIAL NO. SEE TABLE	DRAWING NO. SD-35725-501	SHEET NO. 1 OF 1		SIZE B	
THIS DRAWING CONTAINS INFORMATION THAT IS PROPRIETARY TO MOLEX INCORPORATED AND SHOULD NOT BE USED WITHOUT WRITTEN PERMISSION.										MOLEX INCORPORATED	