

2.50mm (0.098") PITCH CONNECTOR

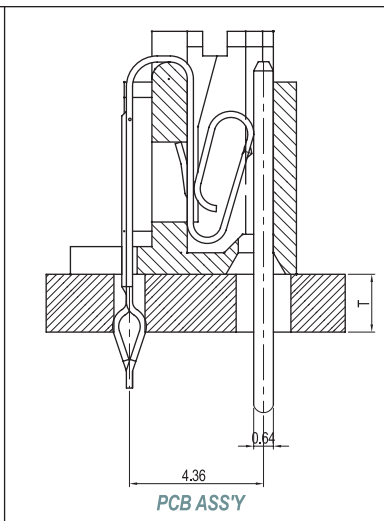
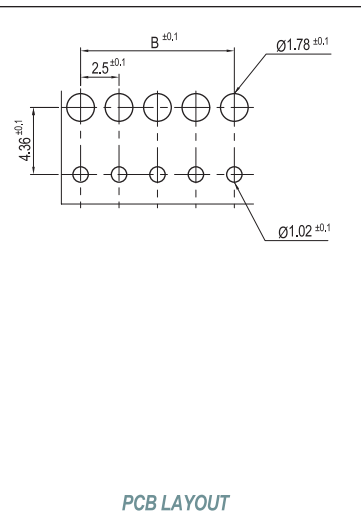
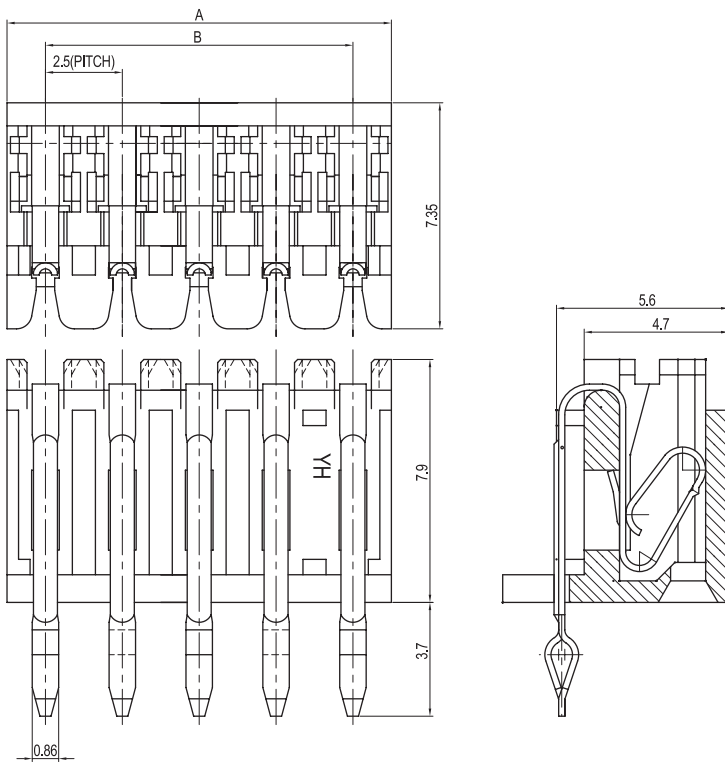
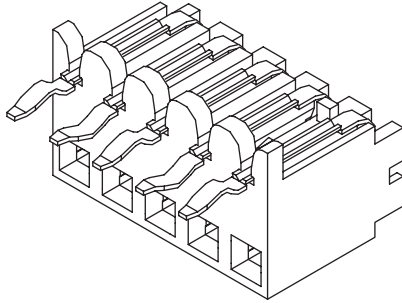


**Board-to-Board
Housing**

25032HS Series

DIP

Straight



Material

I/NO	DESCRIPTION	TITLE	MATERIAL
1	HOUSING	25032HS	PA66, UL94 V Grade
2	TERMINAL	25032TS	Phosphor Bronze & Tin-Plated

Available Pin

PARTS NO.	DIM. A	DIM. B
25032HS-03A00	7.5	5.0
25032HS-04A00	10.0	7.5
25032HS-05A00	12.5	10.0
25032HS-06A00	15.0	12.5
25032HS-07A00	17.5	15.0
25032HS-08A00	20.0	17.5
25032HS-09A00	22.5	20.0
25032HS-10A00	25.0	22.5
25032HS-11A00	27.5	25.0
25032HS-12A00	30.0	27.5
25032HS-13A00	32.5	30.0
25032HS-14A00	35.0	32.5
25032HS-15A00	37.5	35.0
25032HS-16A00	40.0	37.5
25032HS-17A00	42.5	40.0
25032HS-18A00	45.0	42.5
25032HS-19A00	47.5	45.0
25032HS-20A00	50.0	47.5

Specification

ITEM	SPEC
Voltage Rating	AC/DC 250V
Current Rating	AC/DC 3A
Operating Temperature	-25°C~+85°C
Contact Resistance	30mΩ MAX
Withstanding Voltage	AC1000V/1min
Insulation Resistance	1000MΩ MIN
Applicable Wire	-
Applicable P.C.B	1.2~1.6mm
Applicable FPC/FFC	-
Solder Height	-
Crimp Tensile Strength	-
UL FILE NO	-