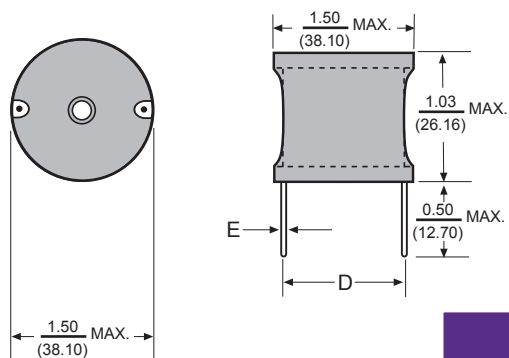


RDC40 Radial Drum Core Inductors



Dimensions: Inches
(mm)



Features

- High Current / Power Line Choke
- Drum Core Design
- UL VW-1 Shrink Tube Cover

Electrical

Inductance Range: 1.8uh to 15mH

Tolerance: 20% from 1.8uh up to 8.2uh
10% from 10uh to 15mH

Also available in tighter tolerances

Operating Temp: -55°C ~ +125°C

Saturation Current: Lowers Inductance by 5%

Test Equipment

(L): HP 4262A

(DCR): HP 4263A

Physical

Packaging: Box Trays

Marking: EIA Inductance Code

Allied Part Number	(L) (μh)	Tolerance	DCR Max. (Ω)	Saturation Current (A) DC	Rated Current (A)	Dimension (D)	Dimension (E)
RDC40-1R8M-RC	1.8	20	.002	150.0	27.0	1.11	0.081
RDC40-2R2M-RC	2.2	20	.002	150.0	27.0	1.11	0.081
RDC40-2R7M-RC	2.7	20	.003	115.0	27.0	1.11	0.081
RDC40-3R3M-RC	3.3	20	.003	115.0	27.0	1.11	0.081
RDC40-3R9M-RC	3.9	20	.003	95.0	27.0	1.11	0.081
RDC40-4R7M-RC	4.7	20	.003	95.0	27.0	1.11	0.081
RDC40-5R6M-RC	5.6	20	.004	79.0	27.0	1.11	0.081
RDC40-6R8M-RC	6.8	20	.004	79.0	27.0	1.11	0.081
RDC40-8R2M-RC	8.2	20	.004	69.0	27.0	1.11	0.081
RDC40-100K-RC	10	20	.005	61.0	27.0	1.11	0.081
RDC40-120K-RC	12	10	.005	55.0	27.0	1.11	0.081
RDC40-150K-RC	15	10	.006	49.0	27.0	1.11	0.081
RDC40-180K-RC	18	10	.008	41.0	27.0	1.11	0.081
RDC40-220K-RC	22	10	.009	38.0	21.0	1.11	0.081
RDC40-270K-RC	27	10	.010	36.0	21.0	1.15	0.081
RDC40-330K-RC	33	10	.011	31.0	21.0	1.15	0.072
RDC40-390K-RC	39	10	.012	28.0	21.0	1.15	0.072
RDC40-470K-RC	47	10	.018	27.0	14.4	1.14	0.072
RDC40-560K-RC	56	10	.019	26.1	14.4	1.14	0.064
RDC40-680K-RC	68	10	.021	24.4	14.4	1.14	0.064
RDC40-820K-RC	82	10	.023	22.4	14.4	1.14	0.064
RDC40-101K-RC	100	10	.025	20.0	14.4	1.14	0.064
RDC40-121K-RC	120	10	.028	18.0	14.4	1.187	0.064
RDC40-151K-RC	150	10	.040	16.4	11.4	1.125	0.057
RDC40-181K-RC	180	10	.045	14.6	11.4	1.125	0.057
RDC40-221K-RC	220	10	.050	13.2	11.4	1.125	0.051
RDC40-271K-RC	270	10	.056	11.8	11.4	1.156	0.051
RDC40-331K-RC	330	10	.074	11.4	11.4	1.125	0.051
RDC40-391K-RC	390	10	.082	10.1	9.0	1.187	0.045
RDC40-471K-RC	470	10	.114	9.2	7.2	1.125	0.045
RDC40-561K-RC	560	10	.125	8.3	7.2	1.125	0.040
RDC40-681K-RC	680	10	.139	7.6	7.2	1.125	0.040
RDC40-821K-RC	820	10	.154	6.8	7.2	1.187	0.040
RDC40-102K-RC	1000	10	.216	6.2	5.5	1.062	0.040
RDC40-122K-RC	1200	10	.232	5.7	5.5	1.156	0.036
RDC40-152K-RC	1500	10	.324	5.1	4.5	1.156	0.036
RDC40-182K-RC	1800	10	.360	4.6	4.5	1.062	0.036
RDC40-222K-RC	2200	10	.494	4.2	4.0	1.062	0.032
RDC40-272K-RC	2700	10	.555	3.8	4.0	1.062	0.032
RDC40-332K-RC	3300	10	.773	3.4	2.8	1.125	0.029
RDC40-392K-RC	3900	10	.845	3.1	2.8	1.11	0.029
RDC40-472K-RC	4700	10	1.14	2.9	2.0	1.11	0.029
RDC40-562K-RC	5600	10	1.60	2.5	2.0	1.11	0.025
RDC40-682K-RC	6800	10	1.76	2.3	1.6	1.16	0.025
RDC40-822K-RC	8200	10	1.95	2.0	1.6	1.16	0.023
RDC40-103K-RC	10000	10	2.76	1.8	1.3	1.16	0.023
RDC40-123K-RC	12000	10	3.04	1.7	1.3	1.16	0.020
RDC40-153K-RC	15000	10	3.39	1.5	1.3	1.16	0.020

All specifications subject to change without notice.