

## Features

- 75  $\Omega$  Input / Output Match
- CTB: -75 dBc
- Noise Figure: 1.9 dB
- Gain: 17 dB
- Lead Free SOT-89 Package
- Halogen-Free “Green” Mold Compound
- RoHS\* Compliant and 260°C Reflow Compatible

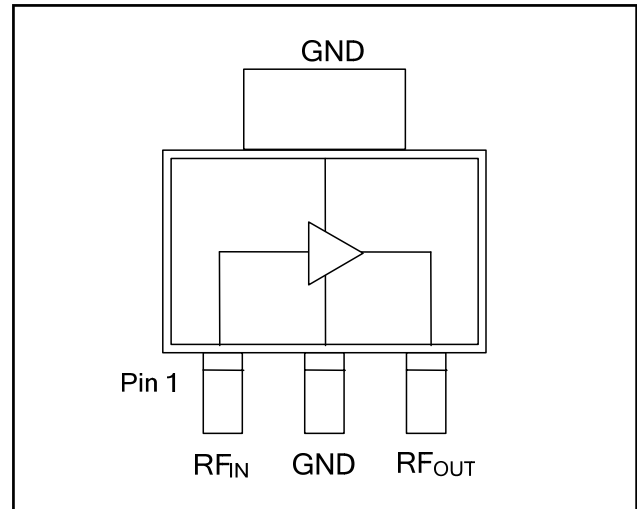
## Description

The MAAM-009633 CATV amplifier is a GaAs MMIC which exhibits low distortion in a lead free miniature surface mount plastic package. This device employs a monolithic single stage design featuring a convenient 75  $\Omega$  input/output impedance that minimizes the number of external components required.

The MAAM-009633 provides low noise and high linearity. It is ideally suited for set top boxes, home gateways, FTTX, Drop Amplifiers, and other broadband internet based applications.

The MAAM-009633 is fabricated using M/A-COM Technology’s pHEMT process to realize low noise and low distortion. The process features full passivation for robust performance and reliability.

## Functional Schematic



## Pin Configuration

Pin No.	Pin Name	Description
1	RF <sub>IN</sub>	RF Input
2	GND	Ground
3	RF <sub>OUT</sub>	RF Output / Drain Supply

## Absolute Maximum Ratings<sup>3,4,5</sup>

Parameter	Absolute Maximum
RF Input Power	6 dBm
Voltage	10.0 volts
Operating Temperature	-40°C to +85°C
Junction Temperature <sup>6</sup>	+160°C
Storage Temperature	-65°C to +150°C

3. Exceeding any one or combination of these limits may cause permanent damage to this device.

4. M/A-COM Technology does not recommend sustained operation near these survivability limits.

5. These operating conditions will ensure MTTF > 1 x 10<sup>6</sup> hours.

6. Junction Temperature ( $T_J$ ) =  $T_C + \Theta_{jc} * (V * I)$

Typical thermal resistance ( $\Theta_{jc}$ ) = 81° C/W.

a) For  $T_C = 25^\circ\text{C}$ ,

$$T_J = 103^\circ\text{C} @ 8 \text{ V}, 120 \text{ mA}$$

b) For  $T_C = 85^\circ\text{C}$ ,

$$T_J = 156^\circ\text{C} @ 8 \text{ V}, 110 \text{ mA}$$

## Ordering Information<sup>1,2</sup>

Part Number	Package
MAAM-009633-TR1000	1000 piece reel
MAAM-009633-TR3000	3000 piece reel
MAAM-009633-001SMB	Sample Test Board

1. Reference Application Note M513 for reel size information.

2. All sample boards include 5 loose parts.

\* Restrictions on Hazardous Substances, European Union Directive 2002/95/EC.

**ADVANCED:** Data Sheets contain information regarding a product M/A-COM Technology Solutions is considering for development. Performance is based on target specifications, simulated results, and/or prototype measurements. Commitment to develop is not guaranteed.

**PRELIMINARY:** Data Sheets contain information regarding a product M/A-COM Technology Solutions has under development. Performance is based on engineering tests. Specifications are typical. Mechanical outline has been fixed. Engineering samples and/or test data may be available. Commitment to produce in volume is not guaranteed.

• **North America** Tel: 800.366.2266 • **Europe** Tel: +353.21.244.6400  
• **India** Tel: +91.80.43537383 • **China** Tel: +86.21.2407.1588

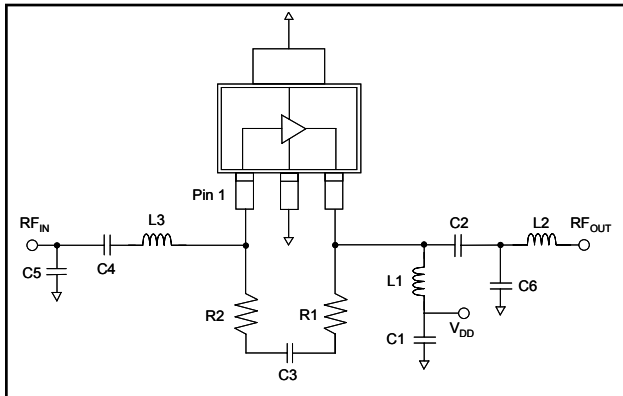
Visit [www.macomtech.com](http://www.macomtech.com) for additional data sheets and product information.

M/A-COM Technology Solutions Inc. and its affiliates reserve the right to make changes to the product(s) or information contained herein without notice.

### Electrical Specifications: $T_A = 25^\circ\text{C}$ , Freq: 50 - 1000 MHz, $V_{DD} = 8$ Volts, $Z_0 = 75 \Omega$

Parameter	Test Conditions	Units	Min.	Typ.	Max.
Gain		dB	15.8	17	17.8
Gain Flatness		dB	—	0.5	1
Noise Figure		dB	—	1.9	3.5
Input Return Loss		dB	—	20	—
Output Return Loss		dB	—	20	—
Output IP2	6 MHz Spacing, -10 dBm output per tone	dBm	—	56	—
Output IP3	6 MHz Spacing, -10 dBm output per tone	dBm	—	37	—
Composite Triple Beat, CTB	132 channels, +30 dBmV / channel at the output.	dBc	—	-75	—
Composite Second Order, CSO	132 channels, +30 dBmV / channel at the output.	dBc	—	-60	—
P1dB		dBm	—	23	—
$I_{DD}$	8 Volts	mA	—	120	140

### Schematic Including Off-Chip Components

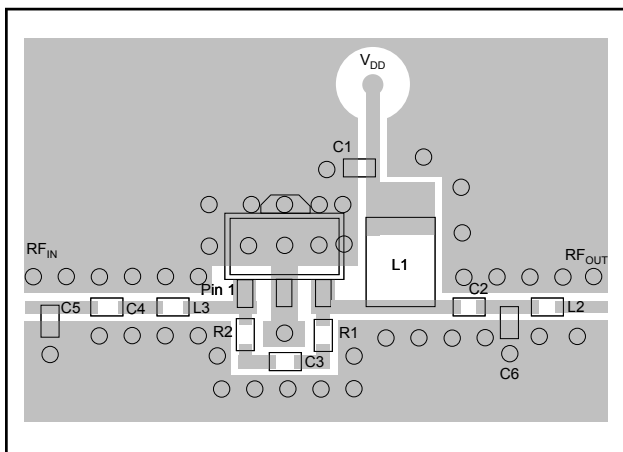


### Off-Chip Component Values

Component	Value	Package
C1,C3,C4	0.01 $\mu\text{F}$	0402
C2	470 pF	0402
C5, C6	0.5 pF	0402
$L1^7$	1 $\mu\text{H}$	1210
L2	7.5 nH	0402
L3	8.2 nH	0402
R1	560 $\Omega$	0402
R2	91 $\Omega$	0402

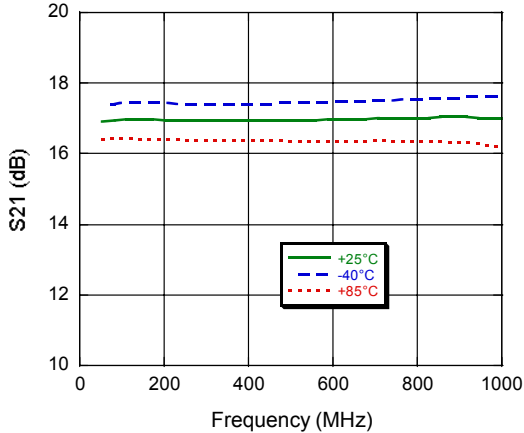
7.  $L1$  supplied from EPCOS, part number B82422A1102K100

### Recommended Board Layout

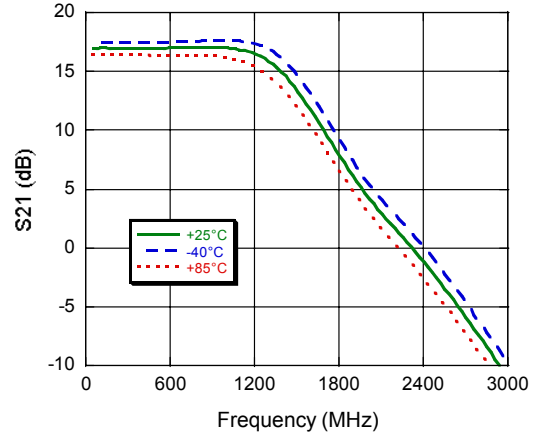


## Typical Performance Curves over temperature

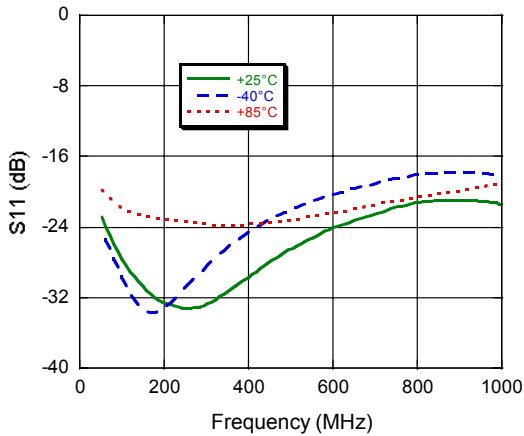
**Gain to 1000 MHz**



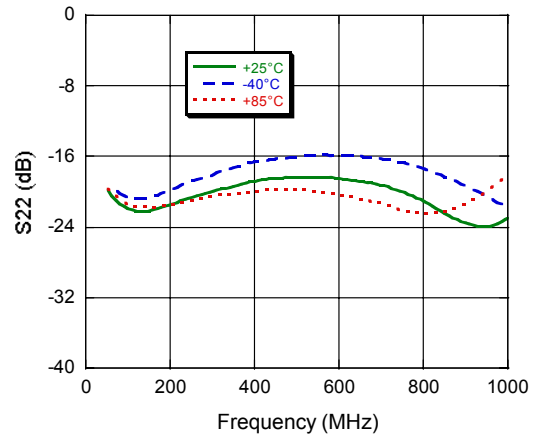
**Gain to 3000 MHz**



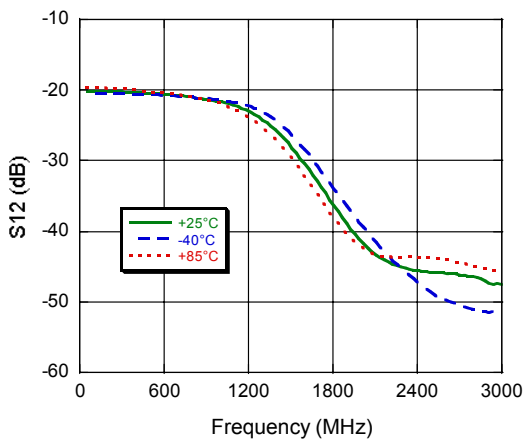
**Input Return Loss**



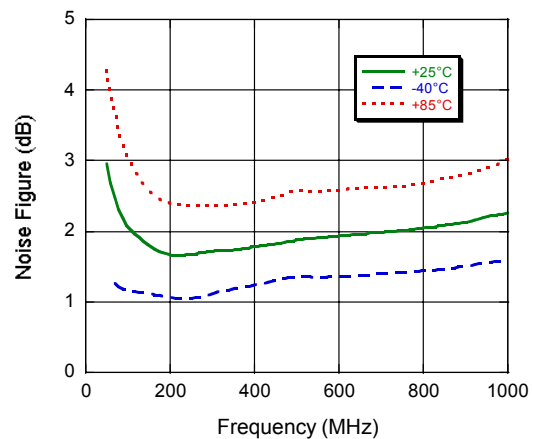
**Output Return Loss**



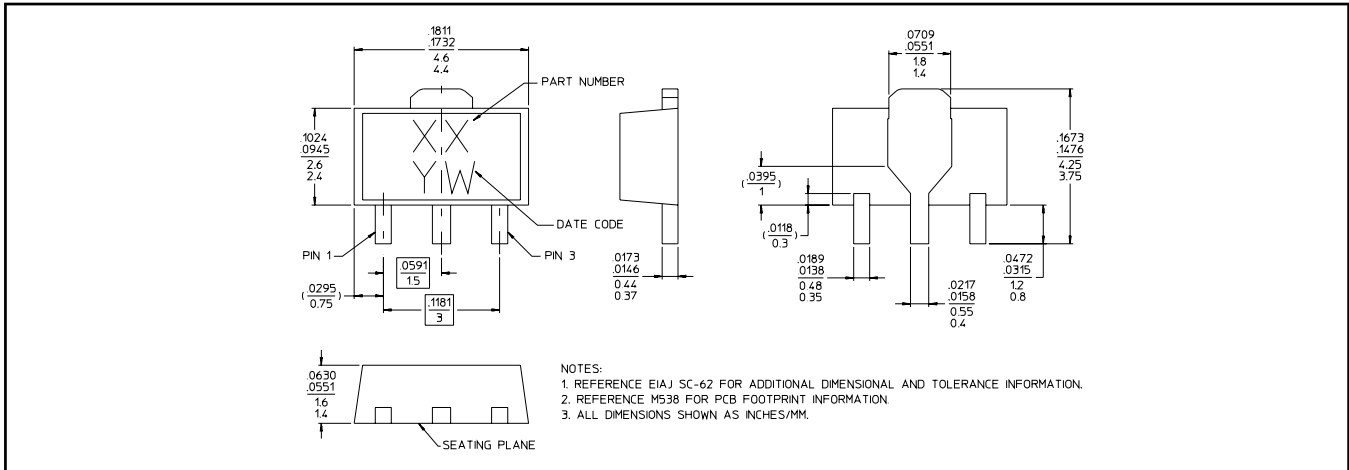
**Reverse Isolation to 3000 MHz**



**Noise Figure**



## Lead-Free SOT-89 Plastic Package<sup>†</sup>



<sup>†</sup> Reference Application Note M538 for lead-free solder reflow recommendations.  
Meets JEDEC moisture sensitivity level 1 requirements.  
Plating is 100% matte tin over copper.

## Handling Procedures

Please observe the following precautions to avoid damage:

## Static Sensitivity

Gallium Arsenide Integrated Circuits are sensitive to electrostatic discharge (ESD) and can be damaged by static electricity. Proper ESD control techniques should be used when handling these devices. An external protection circuit using an anti-parallel diode pair can be used to protect the IC.

Please reference application note AN3028 on <http://www.macomtech.com> for further detail.