

HYS64T16000HU-[3.7/5]-A
HYS72T32000HU-[3.7/5]-A
HYS64T32001HU-[3.7/5]-A

240-Pin Unbuffered DDR2 SDRAM Modules

DDR2 SDRAM
UDIMM SDRAM RoHS Compliant

Memory Products



Never stop thinking.

The information in this document is subject to change without notice.

Edition 2004-09

**Published by Infineon Technologies AG,
St.-Martin-Strasse 53,
81669 München, Germany**

**© Infineon Technologies AG 2004.
All Rights Reserved.**

Attention please!

The information herein is given to describe certain components and shall not be considered as a guarantee of characteristics.

Terms of delivery and rights to technical change reserved.

We hereby disclaim any and all warranties, including but not limited to warranties of non-infringement, regarding circuits, descriptions and charts stated herein.

Information

For further information on technology, delivery terms and conditions and prices please contact your nearest Infineon Technologies Office (www.infineon.com).

Warnings

Due to technical requirements components may contain dangerous substances. For information on the types in question please contact your nearest Infineon Technologies Office.

Infineon Technologies Components may only be used in life-support devices or systems with the express written approval of Infineon Technologies, if a failure of such components can reasonably be expected to cause the failure of that life-support device or system, or to affect the safety or effectiveness of that device or system. Life support devices or systems are intended to be implanted in the human body, or to support and/or maintain and sustain and/or protect human life. If they fail, it is reasonable to assume that the health of the user or other persons may be endangered.

HYS64T16000HU-[3.7/5]-A
HYS72T32000HU-[3.7/5]-A
HYS64T32001HU-[3.7/5]-A

240-Pin Unbuffered DDR2 SDRAM Modules

DDR2 SDRAM

UDIMM SDRAM RoHS Compliant

Memory Products



Never stop thinking.

Revision History:	Rev. 1.0	2004-09
Previous Revision:	Rev. 0.22	2004-04
Page	Subjects (major changes since last revision)	
All	All Product Types replaced by HU-products (RoHS Compliant products)	

We Listen to Your Comments

Any information within this document that you feel is wrong, unclear or missing at all?
Your feedback will help us to continuously improve the quality of this document.
Please send your proposal (including a reference to this document) to:

techdoc.mp@infineon.com

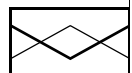


Table of Contents

1	Overview	6
1.1	Features	6
1.2	Description	6
2	Pin Configuration	8
2.1	Block Diagrams	17
2.1.1	Raw Card A ×64	17
2.1.2	Raw Card A ×72	18
2.1.3	Raw Card C ×64	19
3	I_{DD} Specifications and Conditions	20
3.1	I_{DD} Test Conditions	24
3.2	ODT (On Die Termination) Current	24
4	Electrical Characteristics	25
4.1	Operating Conditions	25
5	SPD Codes	29
6	Package Outlines	37
6.1	Raw Card C	37
6.2	Raw Card A	38
7	Product Type Nomenclature (DDR2 DRAMs and DIMMs)	39

240-Pin Unbuffered DDR2 SDRAM Modules DDR2 SDRAM

HYS64T16000HU-[3.7/5]-A
HYS72T32000HU-[3.7/5]-A
HYS64T32001HU-[3.7/5]-A

1 Overview

This chapter gives an overview of the 1.8 V 240-Pin Unbuffered DDR2 SDRAM Modules product family and describes its main characteristics.

1.1 Features

- 240-pin PC2-4200 and PC2-3200 DDR2 SDRAM memory modules for use as main memory when installed in systems such as mobile personal computers.
- 16M × 64, 32M × 64, 32M × 72 module organization, and 16M × 16, 32M × 8 chip organization
- JEDEC standard Double-Data-Rate-Two Synchronous DRAMs (DDR2 SDRAM) with a single + 1.8 V (± 0.1 V) power supply
- Built with 256 Mb DDR2 SDRAMs in P-TFBGA-84 and P-TFBGA-60 chipsize packages
- Programmable CAS Latencies (3, 4 and 5), Burst Length (8 & 4) and Burst Type
- Burst Refresh, Distributed Refresh and Self Refresh
- All inputs and outputs SSTL_1.8 compatible
- OCD (Off-Chip Driver Impedance Adjustment) and ODT (On-Die Termination)
- Serial Presence Detect with E²PROM
- UDIMM Dimensions (nominal):
30 mm high, 133.35 mm wide
- Based on JEDEC standard reference layouts Raw Card "A" and "C"
- RoHS Compliant Products¹⁾

Table 1 Performance

Product Type Speed Code			-3.7	-5	Units
Speed Grade			PC2-4200 4-4-4	PC2-3200 3-3-3	—
max. Clock Frequency	@CL5	f_{CK5}	266	200	MHz
	@CL4	f_{CK4}	266	200	MHz
	@CL3	f_{CK3}	200	200	MHz
min. RAS-CAS-Delay		t_{RCD}	15	15	ns
min. Row Precharge Time		t_{RP}	15	15	ns
min. Row Active Time		t_{RAS}	45	40	ns
min. Row Cycle Time		t_{RC}	60	55	ns

¹⁾RoHS Compliant Product: Restriction of the use of certain hazardous substances (RoHS) in electrical and electronic equipment as defined in the directive 2002/95/EC issued by the European Parliament and of the Council of 27 January 2003. These substances include mercury, lead, cadmium, hexavalent chromium, polybrominated biphenyls and polybrominated biphenyl ethers.

1.2 Description

The INFINEON HYS[64/72]T[16/32][000/001]HU-[3.7/5]-A module family are unbuffered DIMM modules “UDIMMs” with 30,0 mm height based on DDR2 technology. DIMMs are available as non-ECC modules in 16M × 64 (128MB), 32M × 64 (256MB), and as ECC modules in 32M × 72 (256MB) organization and density, intended for mounting into 240-pin connector sockets.

The memory array is designed with 256Mb Double-Data-Rate-Two (DDR2) Synchronous DRAMs. Decoupling capacitors are mounted on the PCB board. The DIMMs feature serial presence detect based on a serial E²PROM device using the 2-pin I²C protocol. The first 128 bytes are programmed with configuration data and are write protected; the second 128 bytes are available to the customer.

Table 2 Ordering Information for RoHS Compliant Products



Product Type ¹⁾	Compliance Code ²⁾	Description	SDRAM Technology
PC2-3200			
HYS64T16000HU-3.7-A	128MB 1R×16 PC2-4200U-444-11-C1	1 Rank, Non-ECC	256 Mbit (×16) ³⁾
HYS64T32001HU-3.7-A	256MB 1R×8 PC2-4200U-444-11-A1	1 Rank, Non-ECC	256 Mbit (×8)
HYS72T32000HU-3.7-A	256MB 1R×8 PC2-4200E-444-11-A1	1 Rank, ECC	256 Mbit (×8)
PC2-4200			
HYS64T16000HU-5-A	128MB 1R×16 PC2-3200U-333-11-C1	1 Rank, Non-ECC	256 Mbit (×16)
HYS64T32001HU-5-A	256MB 1R×8 PC2-3200U-333-11-A1	1 Rank, Non-ECC	256 Mbit (×8)
HYS72T32000HU-5-A	256MB 1R×8 PC2-3200E-333-11-A1	1 Rank, ECC	256 Mbit (×8)

1) All part numbers end with a place code, designating the silicon die revision. Example: HYS64T16000HU-5-A, indicating Rev. “A” dies are used for DDR2 SDRAM components. For all INFINEON DDR2 module and component nomenclature see [Chapter 7](#) of this data sheet.

2) The Compliance Code is printed on the module label and describes the speed grade, for example “PC2-4200U-444-11-C1”, where 4200U means Unbuffered DIMM modules with 4.26 GB/sec Module Bandwidth and “444-11” means Column Address Strobe (CAS) latency = 4, Row Column Delay (RCD) latency = 4 and Row Precharge (RP) latency = 4 using the latest JEDEC SPD Revision 1.1 and produced on the Raw Card “C”.

3) Only on request

Table 3 Address Format

DIMM Density	Module Organization	Memory Ranks	ECC/ Non-ECC	# of SDRAMs	# of row/bank/column bits	Raw Card
128 MByte	16M × 64	1	Non-ECC	4	13/2/9	C
256 MByte	32M × 72	1	ECC	9	13/2/10	A

Table 4 Components on Modules ¹⁾

Product Type ²⁾	DRAM Components ²⁾	DRAM Density	DRAM Organisation
HYS64T16000HU-3.7-A	HYB18T256160AF-3.7	256 Mbit	16M × 16
HYS64T32001HU-3.7-A	HYB18T256800AF-3.7	256 Mbit	32M × 8
HYS72T32000HU-3.7-A	HYB18T256800AF-3.7	256 Mbit	32M × 8
HYS64T16000HU-5-A	HYB18T256160AF-5	256 Mbit	16M × 16
HYS64T32001HU-5-A	HYB18T256800AF-5	256 Mbit	32M × 8
HYS72T32000HU-5-A	HYB18T256800AF-5	256 Mbit	32M × 8

1) For a detailed description of all functionalities of the DRAM components on these modules see the component data sheet.

2) Green Product

2 Pin Configuration

The pin configuration of the Unbuffered DDR2 SDRAM DIMM is listed by function in [Table 5](#) (240 pins). The abbreviations used in columns Pin and Buffer Type are explained in [Table 6](#) and [Table 7](#) respectively. The pin numbering is depicted in [Figure 1](#) for non-ECC modules (×64) and [Figure 2](#) for ECC modules (×72).

Table 5 Pin Configuration of UDIMM

Pin#	Name	Pin Type	Buffer Type	Function
Clock Signals				
185	CK0	I	SSTL	Clock Signals 2:0, Complement Clock Signals 2:0 <i>Note: The system clock inputs. All address and command lines are sampled on the cross point of the rising edge of CK and the falling edge of \overline{CK}. A Delay Locked Loop (DLL) circuit is driven from the clock inputs and output timing for read operations is synchronized to the input clock.</i>
137	CK1	I	SSTL	
220	CK2	I	SSTL	
186	$\overline{CK0}$	I	SSTL	
138	$\overline{CK1}$	I	SSTL	
221	$\overline{CK2}$	I	SSTL	
52	CKE0	I	SSTL	Clock Enable Rank 1:0
171	CKE1	I	SSTL	<i>Note: Activates the DDR2 SDRAM CK signal when HIGH and deactivates the CK signal when LOW. By deactivating the clocks, CKE LOW initiates the Power Down Mode or the Self Refresh Mode.</i> <i>Note: 2 Ranks module</i>
	NC	NC	—	<i>Note: 1 Rank module</i>
Control Signals				
193	$\overline{S0}$	I	SSTL	Chip Select Rank 1:0 <i>Note: Enables the associated DDR2 SDRAM command decoder when LOW and disables the command decoder when HIGH. When the command decoder is disabled, new commands are ignored but previous operations continue. Rank 0 is selected by $\overline{S0}$; Rank 1 is selected by $\overline{S1}$. Ranks are also called "Physical banks".</i> <i>Note: 2 Ranks module</i>
76	$\overline{S1}$	I	SSTL	
	NC	NC	—	
192	\overline{RAS}	I	SSTL	Row Address Strobe <i>Note: When sampled at the cross point of the rising edge of CK, and falling edge of \overline{CK}, \overline{RAS}, \overline{CAS} and \overline{WE} define the operation to be executed by the SDRAM.</i>
74	\overline{CAS}	I	SSTL	Column Address Strobe
73	\overline{WE}	I	SSTL	Write Enable
Address Signals				
71	BA0	I	SSTL	Bank Address Bus 1:0 <i>Note: Selects which DDR2 SDRAM internal bank of four or eight is activated.</i>
190	BA1	I	SSTL	
54	BA2	I	SSTL	Bank Address Bus 2 <i>Note: Greater than 512Mb DDR2 SDRAMs</i>
	NC	NC	—	<i>Note: Less than 1Gb DDR2 SDRAMs</i>

Table 5 Pin Configuration of UDIMM (cont'd)

Pin#	Name	Pin Type	Buffer Type	Function
188	A0	I	SSTL	Address Bus 12:0 <i>Note: During a Bank Activate command cycle, defines the row address when sampled at the crosspoint of the rising edge of CK and falling edge of \overline{CK}. During a Read or Write command cycle, defines the column address when sampled at the cross point of the rising edge of CK and falling edge of \overline{CK}. In addition to the column address, AP is used to invoke autoprecharge operation at the end of the burst read or write cycle. If AP is HIGH, autoprecharge is selected and BA0-BAn defines the bank to be precharged. If AP is LOW, autoprecharge is disabled. During a Precharge command cycle, AP is used in conjunction with BA0-BAn to control which bank(s) to precharge. If AP is HIGH, all banks will be precharged regardless of the state of BA0-BAn inputs. If AP is LOW, then BA0-BAn are used to define which bank to precharge.</i>
183	A1	I	SSTL	
63	A2	I	SSTL	
182	A3	I	SSTL	
61	A4	I	SSTL	
60	A5	I	SSTL	
180	A6	I	SSTL	
58	A7	I	SSTL	
179	A8	I	SSTL	
177	A9	I	SSTL	
70	A10	I	SSTL	
	AP	I	SSTL	
57	A11	I	SSTL	
176	A12	I	SSTL	
196	A13	I	SSTL	Address Signal 13 <i>Note: 1 Gbit based module and 512M $\times 4 \times 8$</i>
	NC	NC	—	<i>Note:</i> 1. Module based on 1 Gbit $\times 16$ 2. Module based on 512 Mbit $\times 16$ or smaller
174	A14	I	SSTL	Address Signal 14 <i>Note: Modules based on 2 Gbit</i>
	NC	NC	—	<i>Note: Modules based on 1 Gbit or smaller</i>

Data Signals

Pin#	Name	Pin Type	Buffer Type	Function
3	DQ0	I/O	SSTL	Data Bus 63:0 <i>Note: Data Input/Output pins</i>
4	DQ1	I/O	SSTL	
9	DQ2	I/O	SSTL	
10	DQ3	I/O	SSTL	
122	DQ4	I/O	SSTL	
123	DQ5	I/O	SSTL	
128	DQ6	I/O	SSTL	
129	DQ7	I/O	SSTL	
12	DQ8	I/O	SSTL	
13	DQ9	I/O	SSTL	
21	DQ10	I/O	SSTL	
22	DQ11	I/O	SSTL	
131	DQ12	I/O	SSTL	
132	DQ13	I/O	SSTL	
140	DQ14	I/O	SSTL	
141	DQ15	I/O	SSTL	
24	DQ16	I/O	SSTL	

Table 5 Pin Configuration of UDIMM (cont'd)

Pin#	Name	Pin Type	Buffer Type	Function
25	DQ17	I/O	SSTL	Data Bus 63:0
30	DQ18	I/O	SSTL	
31	DQ19	I/O	SSTL	
143	DQ20	I/O	SSTL	
144	DQ21	I/O	SSTL	
149	DQ22	I/O	SSTL	
150	DQ23	I/O	SSTL	
33	DQ24	I/O	SSTL	
34	DQ25	I/O	SSTL	
39	DQ26	I/O	SSTL	
40	DQ27	I/O	SSTL	
152	DQ28	I/O	SSTL	
153	DQ29	I/O	SSTL	
158	DQ30	I/O	SSTL	
159	DQ31	I/O	SSTL	
80	DQ32	I/O	SSTL	
81	DQ33	I/O	SSTL	
86	DQ34	I/O	SSTL	
87	DQ35	I/O	SSTL	
199	DQ36	I/O	SSTL	
200	DQ37	I/O	SSTL	
205	DQ38	I/O	SSTL	
206	DQ39	I/O	SSTL	
89	DQ40	I/O	SSTL	
90	DQ41	I/O	SSTL	
95	DQ42	I/O	SSTL	
96	DQ43	I/O	SSTL	
208	DQ44	I/O	SSTL	
209	DQ45	I/O	SSTL	
214	DQ46	I/O	SSTL	
215	DQ47	I/O	SSTL	
98	DQ48	I/O	SSTL	
99	DQ49	I/O	SSTL	
107	DQ50	I/O	SSTL	
108	DQ51	I/O	SSTL	
217	DQ52	I/O	SSTL	
218	DQ53	I/O	SSTL	
226	DQ54	I/O	SSTL	
227	DQ55	I/O	SSTL	
110	DQ56	I/O	SSTL	

Table 5 Pin Configuration of UDIMM (cont'd)

Pin#	Name	Pin Type	Buffer Type	Function
111	DQ57	I/O	SSTL	Data Bus 63:0
116	DQ58	I/O	SSTL	
117	DQ59	I/O	SSTL	
229	DQ60	I/O	SSTL	
230	DQ61	I/O	SSTL	
235	DQ62	I/O	SSTL	
236	DQ63	I/O	SSTL	
Check Bit Signal				
42	CB0	I/O	SSTL	Check Bit 0 <i>Note: ECC type module only</i>
	NC	NC	—	<i>Note: Non-ECC module</i>
43	CB1	I/O	SSTL	Check Bit 1 <i>Note: ECC type module only</i>
	NC	NC	—	<i>Note: Non-ECC module</i>
48	CB2	I/O	SSTL	Check Bit 2 <i>Note: ECC type module only</i>
	NC	NC	—	<i>Note: Non-ECC module</i>
49	CB3	I/O	SSTL	Check Bit 3 <i>Note: ECC type module only</i>
	NC	NC	—	<i>Note: Non-ECC module</i>
161	CB4	I/O	SSTL	Check Bit 4 <i>Note: ECC type module only</i>
	NC	NC	—	<i>Note: Non-ECC module</i>
162	CB5	I/O	SSTL	Check Bit 5 <i>Note: ECC type module only</i>
	NC	NC	—	<i>Note: Non-ECC module</i>
167	CB6	I/O	SSTL	Check Bit 6 <i>Note: ECC type module only</i>
	NC	NC	—	<i>Note: Non-ECC module</i>
168	CB7	I/O	SSTL	Check Bit 7 <i>Note: ECC type module only</i>
	NC	NC	—	<i>Note: Non-ECC module</i>

Table 5 Pin Configuration of UDIMM (cont'd)

Pin#	Name	Pin Type	Buffer Type	Function
Data Strobe Bus				
7	DQS0	I/O	SSTL	Data Strobe Bus 8:0 <i>Note: The data strobes, associated with one data byte, sourced with data transfers. In Write mode, the data strobe is sourced by the controller and is centered in the data window. In Read mode the data strobe is sourced by the DDR2 SDRAM and is sent at the leading edge of the data window. \overline{DQS} signals are complements, and timing is relative to the crosspoint of respective DQS and \overline{DQS}. If the module is to be operated in single ended strobe mode, all \overline{DQS} signals must be tied on the system board to V_{SS} and DDR2 SDRAM mode registers programmed appropriately.</i>
16	DQS1	I/O	SSTL	
28	DQS2	I/O	SSTL	
37	DQS3	I/O	SSTL	
84	DQS4	I/O	SSTL	
93	DQS5	I/O	SSTL	
105	DQS6	I/O	SSTL	
114	DQS7	I/O	SSTL	
46	DQS8	I/O	SSTL	
<i>Note: See block diagram for corresponding DQ signals</i>				
6	$\overline{DQS0}$	I/O	SSTL	Complement Data Strobe Bus 8:0 <i>Note: See block diagram for corresponding DQ signals</i>
15	$\overline{DQS1}$	I/O	SSTL	
27	$\overline{DQS2}$	I/O	SSTL	
36	$\overline{DQS3}$	I/O	SSTL	
83	$\overline{DQS4}$	I/O	SSTL	
92	$\overline{DQS5}$	I/O	SSTL	
104	$\overline{DQS6}$	I/O	SSTL	
113	$\overline{DQS7}$	I/O	SSTL	
45	$\overline{DQS8}$	I/O	SSTL	
Data Mask Signals				
125	DM0	I	SSTL	Data Mask Bus 8:0 <i>Note: The data write masks, associated with one data byte. In Write mode, DM operates as a byte mask by allowing input data to be written if it is LOW but blocks the write operation if it is HIGH. In Read mode, DM lines have no effect.</i>
134	DM1	I	SSTL	
146	DM2	I	SSTL	
155	DM3	I	SSTL	
202	DM4	I	SSTL	
211	DM5	I	SSTL	
223	DM6	I	SSTL	
232	DM7	I	SSTL	
164	DM8	I	SSTL	
<i>Note: See block diagram for corresponding DQ M signals</i>				
EEPROM				
120	SCL	I	CMOS	Serial Bus Clock <i>Note: This signal is used to clock data into and out of the SPD EEPROM.</i>
119	SDA	I/O	OD	Serial Bus Data <i>Note: This is a bidirectional pin used to transfer data into or out of the SPD EEPROM. A resistor must be connected from SDA to V_{DDSPD} on the motherboard to act as a pull-up.</i>
239	SA0	I	CMOS	Serial Address Select Bus 2:0 <i>Note: Address pins used to select the Serial Presence Detect base address.</i>
240	SA1	I	CMOS	
101	SA2	I	CMOS	

Table 5 Pin Configuration of UDIMM (cont'd)

Pin#	Name	Pin Type	Buffer Type	Function
Power Supplies				
1	V_{REF}	AI	—	I/O Reference Voltage <i>Note: Reference voltage for the SSTL-18 inputs.</i>
238	V_{DDSPD}	PWR	—	EEPROM Power Supply <i>Note: Power supplies for core, I/O, Serial Presence Detect, and ground for the module.</i>
51,56,62,72,75, 78,170,175,181, 191,194	V_{DDQ}	PWR	—	I/O Driver Power Supply
53,59,64,67,69, 172,178,184,187, 189,197	V_{DD}	PWR	—	Power Supply <i>Note: Power supplies for core, I/O, Serial Presence Detect, and ground for the module.</i>
2,5,8,11,14,17, 20,23,26,29,32, 35,38,41,44,47, 50,65,66,79,82, 85,88,91,94,97, 100,103,106, 109,112,115,118, 121,124,127, 130,133,136,139, 142,145,148, 151,154,157,160, 163,166,169, 198,201,204,207, 210,213,216, 219,222,225,228, 231,234,237	V_{SS}	GND	—	Ground Plane <i>Note: Power supplies for core, I/O, Serial Presence Detect, and ground for the module.</i>
Other Pins				
195	ODT0	I	SSTL	On-Die Termination Control 0
77	ODT1	I	SSTL	On-Die Termination Control 1 <i>Note: Asserts on-die termination for DQ, DM, DQS, and \overline{DQS} signals if enabled via the DDR2 SDRAM mode register.</i> <i>Note: 2 Rank modules</i>
	NC	NC	—	<i>Note: 1 Rank modules</i>
18,19,55,68,102, 126,135,147, 156,165,173,203, 212, 224,233	NC	NC	—	Not connected <i>Note: Pins not connected on Infineon UDIMMs</i>

Table 6 Abbreviations for Pin Type

Abbreviation	Description
I	Standard input-only pin. Digital levels.
O	Output. Digital levels.
I/O	I/O is a bidirectional input/output signal.

Table 6 Abbreviations for Pin Type (cont'd)

Abbreviation	Description
AI	Input. Analog levels.
PWR	Power
GND	Ground
NC	Not Connected

Table 7 Abbreviations for Buffer Type

Abbreviation	Description
SSTL	Serial Stub Terminated Logic (SSTL_18)
LV-CMOS	Low Voltage CMOS
CMOS	CMOS Levels
OD	Open Drain. The corresponding pin has 2 operational states, active low and tristate, and allows multiple devices to share as a wire-OR.

Pin Configuration

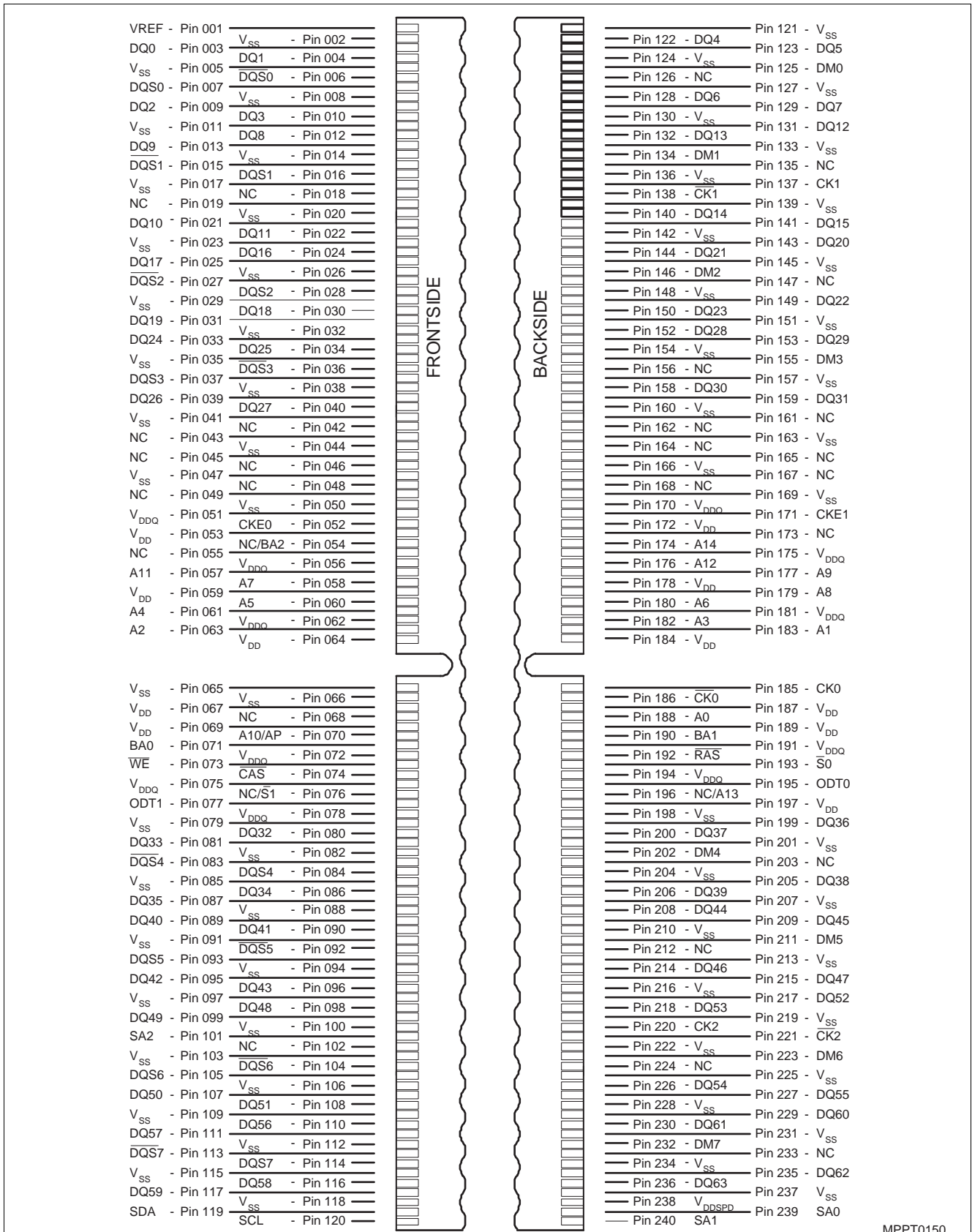
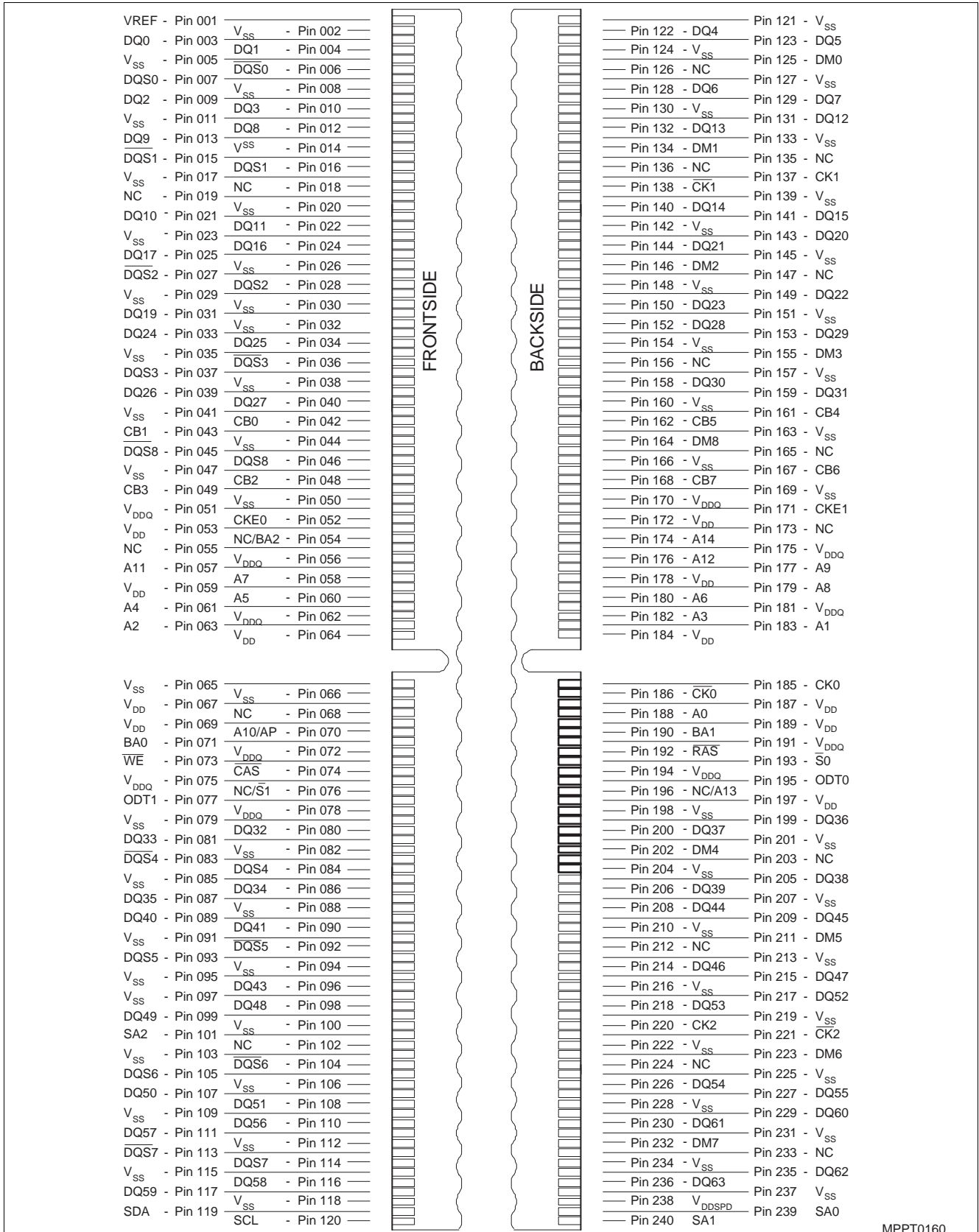


Figure 1 Pin Configuration UDIMM x64 (240 Pin)

Pin Configuration



MPPT0160

Figure 2 Pin Configuration UDIMM x72 (240 Pin)

2.1 Block Diagrams

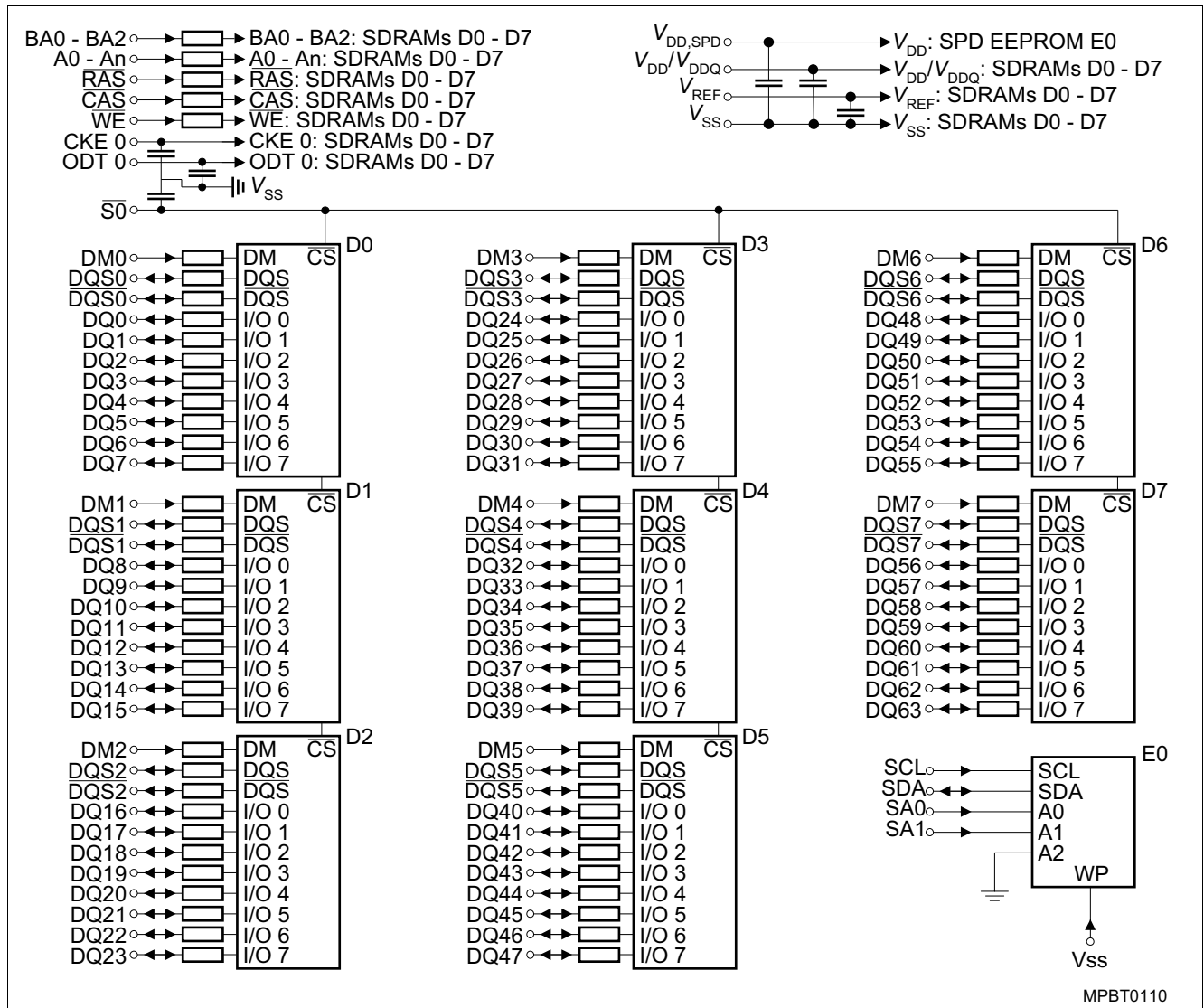


Figure 3 Block Diagram Raw Card A UDIMM (x64, 1 Rank, x8)

Notes

1. $DQ, DQS, \overline{DQS}, DM$ resistors are $22 \Omega \pm 5 \%$
2. $BA_n, A_n, \overline{RAS}, \overline{CAS}, \overline{WE}$ resistors are $5.1 \Omega \pm 5 \%$
3. ODT, CKE, S capacitors are $24 pF$
4. All CK lines have resistor termination between CK and CK .

Table 8 Clock Signal Loads

Clock Input	SDRAMs	Note
CK0, CK0	2	
CK1, CK1	3	
CK2, CK3	3	

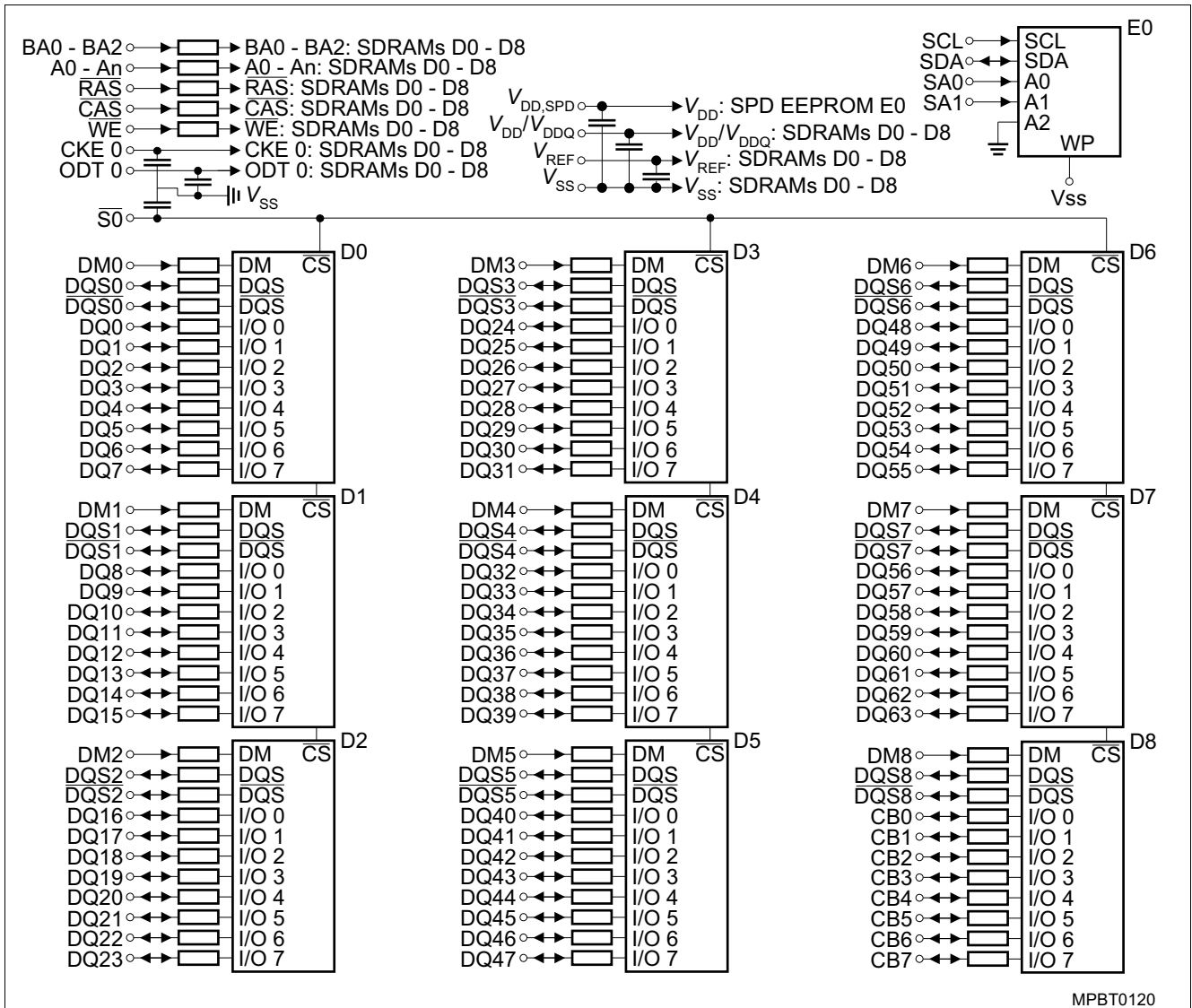


Figure 4 Block Diagram Raw Card A UDIMM (x72, 1 Rank, x8)

Notes

1. $DQ, DQS, \overline{DQS}, DM, CB$ resistors are $22 \Omega \pm 5 \%$
2. BA_n, A_n, RAS, CAS, WE resistors are $5.1 \Omega \pm 5 \%$
3. ODT, CKE, \overline{S} capacitors are 24 pF
4. All CK lines have resistor termination between CK and \overline{CK} .

Table 9 Clock Signal Loads

Clock Input	SDRAMs	Note
$CK0, \overline{CK0}$	3	1)
$CK1, \overline{CK1}$	3	
$CK2, \overline{CK3}$	3	

1) 2 SDRAMs for $CK0$ in case of non-ECC

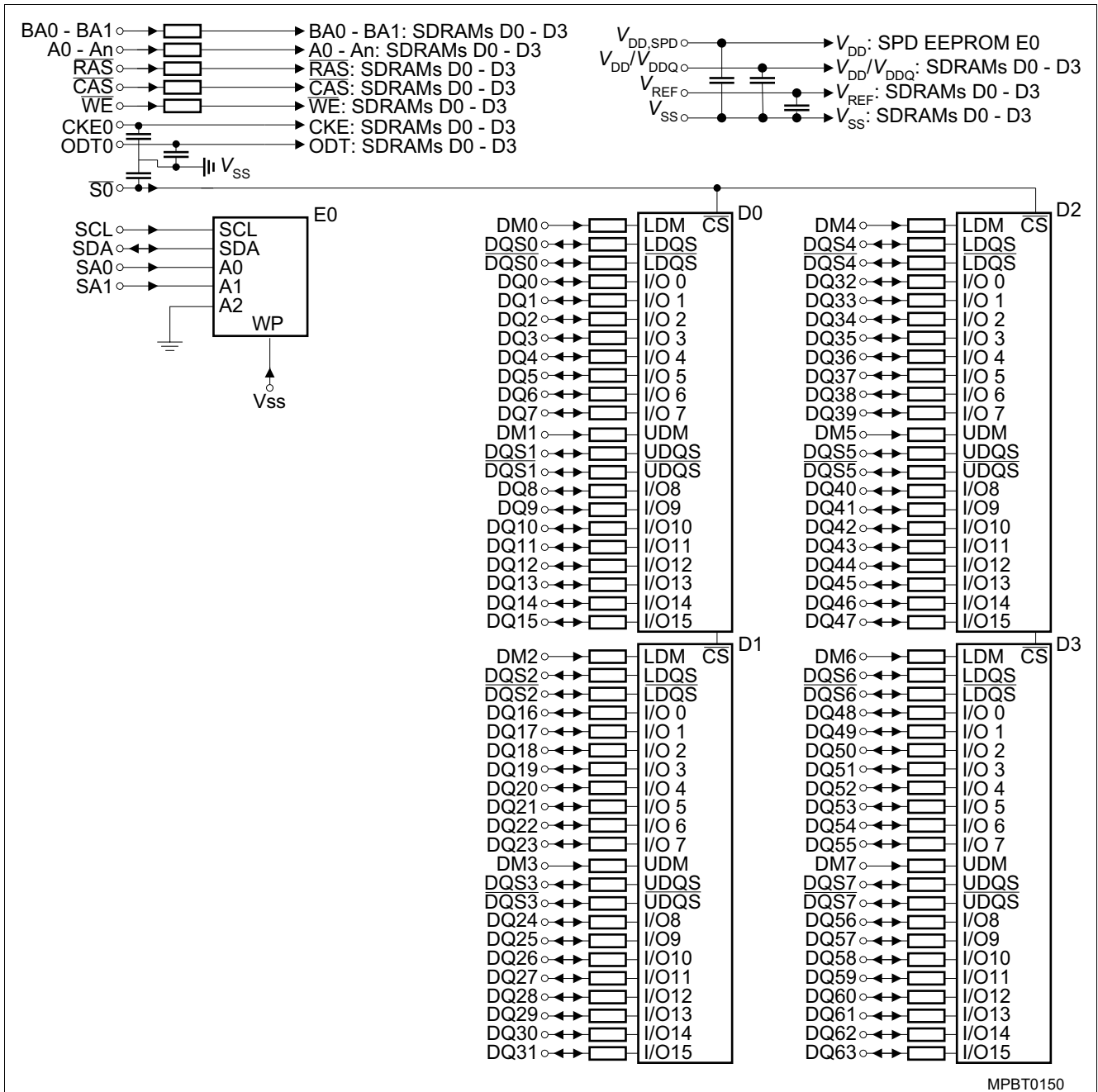


Figure 5 Block Diagram Raw Card C UDIMM (x64, 1Rank, x16)

Notes

1. DQ, DQS, DM resistors are $22 \Omega \pm 5 \%$
2. BAn, An, RAS, CAS, WE resistors are $10 \Omega \pm 5 \%$

3 I_{DD} Specifications and Conditions

Table 10 I_{DD} Measurement Conditions ¹⁾²⁾³⁾⁴⁾⁵⁾⁶⁾

Parameter	Symbol
Operating Current 0 One bank Active - Precharge; $t_{CK} = t_{CK.MIN}$, $t_{RC} = t_{RC.MIN}$, $t_{RAS} = t_{RAS.MIN}$, CKE is HIGH, \overline{CS} is HIGH between valid commands. Address and control inputs are SWITCHING, Databus inputs are SWITCHING.	I_{DD0}
Operating Current 1 One bank Active - Read - Precharge; $I_{OUT} = 0$ mA, BL = 4, $t_{CK} = t_{CK.MIN}$, $t_{RC} = t_{RC.MIN}$, $t_{RAS} = t_{RAS.MIN}$, $t_{RCD} = t_{RCD.MIN}$, AL = 0, CL = CL _{MIN} ; CKE is HIGH, \overline{CS} is HIGH between valid commands. Address and control inputs are SWITCHING, Databus inputs are SWITCHING.	I_{DD1}
Precharge Standby Current All banks idle; \overline{CS} is HIGH; CKE is HIGH; $t_{CK} = t_{CK.MIN}$; Other control and address inputs are SWITCHING, Data bus inputs are SWITCHING.	I_{DD2N}
Precharge Power-Down Current Other control and address inputs are STABLE, Data bus inputs are FLOATING.	I_{DD2P}
Precharge Quiet Standby Current All banks idle; \overline{CS} is HIGH; CKE is HIGH; $t_{CK} = t_{CK.MIN}$; Other control and address inputs are STABLE, Data bus inputs are FLOATING.	I_{DD2Q}
Active Standby Current Burst Read: All banks open; Continuous burst reads; BL = 4; AL = 0, CL = CL _{MIN} ; $t_{CK} = t_{CK.MIN}$; $t_{RAS} = t_{RAS.MAX}$, $t_{RP} = t_{RP.MIN}$; CKE is HIGH, \overline{CS} is HIGH between valid commands. Address inputs are SWITCHING; Data Bus inputs are SWITCHING; $I_{OUT} = 0$ mA.	I_{DD3N}
Active Power-Down Current All banks open; $t_{CK} = t_{CK.MIN}$, CKE is LOW; Other control and address inputs are STABLE, Data bus inputs are FLOATING. MRS A12 bit is set to LOW (Fast Power-down Exit);	$I_{DD3P(0)}$
Active Power-Down Current All banks open; $t_{CK} = t_{CK.MIN}$, CKE is LOW; Other control and address inputs are STABLE, Data bus inputs are FLOATING. MRS A12 bit is set to HIGH (Slow Power-down Exit);	$I_{DD3P(1)}$
Operating Current Burst Read: All banks open; Continuous burst reads; BL = 4; AL = 0, CL = CL _{MIN} ; $t_{CK} = t_{CK.MIN}$; $t_{RAS} = t_{RAS.MAX}$, $t_{RP} = t_{RP.MIN}$; CKE is HIGH, \overline{CS} is HIGH between valid commands. Address inputs are SWITCHING; Data Bus inputs are SWITCHING; $I_{OUT} = 0$ mA.	I_{DD4R}
Operating Current Burst Write: All banks open; Continuous burst writes; BL = 4; AL = 0, CL = CL _{MIN} ; $t_{CK} = t_{CK.MIN}$; $t_{RAS} = t_{RAS.MAX}$, $t_{RP} = t_{RP.MAX}$; CKE is HIGH, \overline{CS} is HIGH between valid commands. Address inputs are SWITCHING; Data Bus inputs are SWITCHING;	I_{DD4W}
Burst Refresh Current $t_{CK} = t_{CK.MIN}$, Refresh command every $t_{RFC} = t_{RFC.MIN}$ interval, CKE is HIGH, \overline{CS} is HIGH between valid commands, Other control and address inputs are SWITCHING, Data bus inputs are SWITCHING.	I_{DD5B}
Distributed Refresh Current $t_{CK} = t_{CK.MIN}$, Refresh command every $t_{RFC} = t_{REFI}$ interval, CKE is LOW and \overline{CS} is HIGH between valid commands, Other control and address inputs are SWITCHING, Data bus inputs are SWITCHING.	I_{DD5D}

I_{DD} Specifications and Conditions

Table 10 I_{DD} Measurement Conditions (cont'd)¹⁾²⁾³⁾⁴⁾⁵⁾⁶⁾

Parameter	Symbol
Self-Refresh Current CKE ≤ 0.2 V; external clock off, CK and $\overline{\text{CK}}$ at 0 V; Other control and address inputs are FLOATING, Data bus inputs are FLOATING. I _{DD6} current values are guaranteed up to T _{CASE} of 85 °C max.	I _{DD6}
All Bank Interleave Read Current All banks are being interleaved at minimum t _{RC} without violating t _{R RD} using a burst length of 4. Control and address bus inputs are STABLE during DESELECTS. I _{out} = 0 mA.	I _{DD7}

- 1) V_{DDQ} = 1.8 V ± 0.1 V; V_{DD} = 1.8 V ± 0.1 V
- 2) I_{DD} specifications are tested after the device is properly initialized and I_{DD} parameter are specified with ODT disabled.
- 3) Definitions for I_{DD}:
 LOW is defined as V_{IN} ≤ V_{IL(ac).MAX}, HIGH is defined as V_{IN} ≥ V_{IH(ac).MIN}
 STABLE is defined as: inputs are stable at a HIGH or LOW level
 FLOATING is defined as: inputs are V_{REF} = V_{DDQ} / 2
 SWITCHING is defined as: inputs are changing between HIGH and LOW every other clock (once per 2 cycles) for address and control signals, and inputs changing between HIGH and LOW every other data transfer (once per cycle) for DQ signals not including mask or strobes.
- 4) I_{DD1}, I_{DD4R} and I_{DD7} current measurements are defined with the outputs disabled (I_{OUT} = 0 mA). To achieve this on module level the output buffers can be disabled using an EMRS(1) (Extended Mode Register Command) by setting A12 bit to HIGH.
- 5) For two rank modules: for all active current measurements the other rank is in Precharge Power-Down Mode I_{DD2P}
- 6) For details and notes see the relevant INFINEON component data sheet

Table 11 I_{DD} Specification for HYS[64/72]T[16/32][000/001]HU-3.7-A

Product Type	HYS64T16000HU-3.7-A	HYS64T32001HU-3.7-A	HYS72T32000HU-3.7-A	Unit	Notes
Organization	128 MB	256 MB	256 MB		
	×64	×64	×72		
	1 Rank	1 Rank	1 Rank		
	-3.7	-3.7	-3.7		
Symbol	Max.	Max.	Max.		
I_{DD0}	220	440	500	mA	×8×16 ¹⁾
I_{DD1}	—	480	540	mA	×8 ¹⁾
	240	—	—	mA	×16
I_{DD2N}	140	280	320	mA	×8×16 ¹⁾
I_{DD2P}	20	30	40	mA	×8×16 ¹⁾
I_{DD2Q}	100	200	230	mA	×8×16 ¹⁾
$I_{DD3P(MRS=0)}$	60	130	140	mA	×8×16 ¹⁾
$I_{DD3P(MRS=1)}$	20	30	40	mA	×8×16 ¹⁾
I_{DD3N}	140	280	320	mA	×8×16 ¹⁾
I_{DD4R}	—	560	630	mA	×8 ¹⁾
	320	—	—	mA	×16
I_{DD4W}	—	680	770	mA	×8 ¹⁾
	400	—	—	mA	×16
I_{DD5B}	340	680	770	mA	×8×16 ¹⁾
I_{DD5D}	20	50	50	mA	×8×16 ¹⁾
I_{DD6}	20	30	40	mA	×8×16 ¹⁾
I_{DD7}	—	1080	1220	mA	×8 ¹⁾
	600	—	—	mA	×16

1) Calculated values from component data. ODT disabled. I_{DD1} , I_{DD4R} , and I_{DD7} are defined with the outputs disabled.

Table 12 I_{DD} Specification for HYS[64/72]T[16/32][000/001]HU-5-A

Product Type	HYS64T16000HU-5-A	HYS64T32001HU-5-A	HYS72T32000HU-5-A	Unit	Notes
Organization	128 MB	256 MB	256 MB		
	×64	×64	×72		
	1 Rank	1 Rank	1 Rank		
	-5	-5	-5		
Symbol	Max.	Max.	Max.		
I_{DD0}	—	400	450	mA	×8 ¹⁾
	200	—	—	mA	×16
I_{DD1}	—	440	500	mA	×8 ¹⁾
	220	—	—	mA	×16
I_{DD2N}	110	220	250	mA	×8×16 ¹⁾
I_{DD2P}	20	30	40	mA	×8×16 ¹⁾
I_{DD2Q}	80	160	180	mA	×8×16 ¹⁾
$I_{DD3P(MRS=0)}$	50	100	120	mA	×8×16 ¹⁾
$I_{DD3P(MRS=1)}$	20	30	40	mA	×8×16 ¹⁾
I_{DD3N}	120	240	270	mA	×8×16 ¹⁾
I_{DD4R}	—	480	540	mA	×8 ¹⁾
	280	—	—	mA	×16
I_{DD4W}	—	560	630	mA	×8
	360	—	—	mA	×16 ¹⁾
I_{DD5B}	320	640	720	mA	×8×16 ¹⁾
I_{DD5D}	20	50	50	mA	×8×16 ¹⁾
I_{DD6}	20	30	40	mA	×8×16 ¹⁾
I_{DD7}	—	1000	1130	mA	×8 ¹⁾
	560	—	—	mA	×16

1) Calculated values from component data. ODT disabled. I_{DD1} , I_{DD4R} , and I_{DD7} are defined with the outputs disabled.

3.1 I_{DD} Test Conditions

For testing the I_{DD} parameters, the timing parameters as in [Table 11](#) are used.

Table 13 I_{DD} Measurement Test Conditions

Parameter	Symbol	-3.7	-5	Unit
		PC2-4200-4-4-4	PC2-3200-3-3-3	
CAS Latency	$CL_{(IDD)}$	4	3	t_{CK}
Clock Cycle Time	$t_{CK(IDD)}$	3.75	5	ns
Active to Read or Write delay	$t_{RCD(IDD)}$	15	15	ns
Active to Active / Auto-Refresh command period	$t_{RC(IDD)}$	60	55	ns
Active bank A to Active bank B command delay	$\times 8^{(1)}$ $t_{RRD(IDD)}$	7.5	7.5	ns
	$\times 16^{(2)}$ $t_{RRD(IDD)}$	10	10	ns
Active to Precharge Command Active to Precharge Command	$t_{RAS.MIN(IDD)}$	45	40	ns
	$t_{RAS.MAX(IDD)}$	70000	70000	ns
Precharge Command Period	$t_{RP(IDD)}$	15	15	ns
Auto-Refresh to Active / Auto-Refresh command period	$t_{RFC(IDD)}$	75	75	ns
Average periodic Refresh interval	t_{REFI}	7.8	7.8	μs

1) For modules based on $\times 8$ components

2) For modules based on $\times 16$ components

3.2 On Die Termination (ODT) Current

The ODT function adds additional current consumption to the DDR2 SDRAM when enabled by the EMRS(1). Depending on address bits A[6,2] in the EMRS(1) a "weak" or "strong" termination can be selected. The

current consumption for any terminated input pin, depends on the input pin is in tri-state or driving 0 or 1, as long a ODT is enabled during a given period of time.

Table 14 ODT current per terminated pin

Parameter	Symbol	Min.	Typ.	Max.	Unit	EMRS(1) State
Enabled ODT current per DQ ODT is HIGH; Data Bus inputs are FLOATING	I_{ODTO}	5	6	7.5	mA/DQ	A6 = 0, A2 = 1
		2.5	3	3.75	mA/DQ	A6 = 1, A2 = 0
Active ODT current per DQ ODT is HIGH; worst case of Data Bus inputs are STABLE or SWITCHING.	I_{ODTT}	10	12	15	mA/DQ	A6 = 0, A2 = 1
		5	6	7.5	mA/DQ	A6 = 1, A2 = 0

Note: For power consumption calculations the ODT duty cycle has to be taken into account

4 Electrical Characteristics

4.1 Operating Conditions

Table 13 Absolute Maximum Ratings

Parameter	Symbol	Values		Unit	Note/Test Condition
		Min.	Max.		
Voltage on any pins relative to V_{SS}	V_{IN}, V_{OUT}	-0.5	2.3	V	1)
Voltage on V_{DD} relative to V_{SS}	V_{DD}	-1.0	2.3	V	1)
Voltage on V_{DDQ} relative to V_{SS}	V_{DDQ}	-0.5	2.3	V	1)
Storage Humidity (without condensation)	H_{STG}	5	95	%	1)

- 1) Stresses greater than those listed may cause permanent damage to the device. This is a stress rating only, and device functional operation at or above the conditions indicated is not implied. Exposure to absolute maximum rating conditions for extended periods may affect reliability

Table 14 Operating Conditions

Parameter	Symbol	Values		Unit	Notes
		Min.	Max.		
Operating temperature (ambient)	T_{OPR}	0	+65	°C	
DRAM Case Temperature	T_{CASE}	0	+95	°C	1)2)3)4)
Storage Temperature	T_{STG}	-50	+100	°C	
Barometric Pressure (operating & storage)	PBar	+69	+105	kPa	5)
Operating Humidity (relative)	H_{OPR}	10	90	%	

- 1) DRAM Component Case Temperature is the surface temperature in the center on the top side of any of the DRAMs.
 2) Within the DRAM Component Case Temperature Range all DRAM specifications will be supported
 3) Above 85 °C DRAM Case Temperature the Auto-Refresh command interval has to be reduced to $t_{REFI} = 3.9 \mu s$
 4) Self-Refresh period is hard-coded in the DRAMs and therefore it is imperative that the system ensures the DRAM is below 85 °C Case Temperature before initiating Self-Refresh operation.
 5) Up to 3000 m.

Table 15 Supply Voltage Levels and DC Operating Conditions

Parameter	Symbol	Values			Unit	Notes
		Min.	Nom.	Max.		
Device Supply Voltage	V_{DD}	1.7	1.8	1.9	V	
Output Supply Voltage	V_{DDQ}	1.7	1.8	1.9	V	1)
Input Reference Voltage	V_{REF}	$0.49 \times V_{DDQ}$	$0.5 \times V_{DDQ}$	$0.51 \times V_{DDQ}$	V	2)
SPD Supply Voltage	V_{DDSPD}	1.7	—	3.6	V	
DC Input Logic High	$V_{IH(DC)}$	$V_{REF} + 0.125$	—	$V_{DDQ} + 0.3$	V	
DC Input Logic Low	$V_{IL(DC)}$	-0.30	—	$V_{REF} - 0.125$	V	
In / Output Leakage Current	I_L	-5		5	μA	3)

- 1) Under all conditions, V_{DDQ} must be less than or equal to V_{DD}
 2) Peak to peak AC noise on V_{REF} may not exceed $\pm 2\% V_{REF(DC)}$; V_{REF} is also expected to track noise in V_{DDQ} .
 3) Input voltage for any connector pin under test of $0 V \leq V_{IN} \leq V_{DDQ} + 0.3 V$; all other pins at 0 V. Current is per pin

Table 16 Speed Grade Definition Speed Bins

Speed Grade		DDR2-533C		DDR2-400B		Unit	Notes	
IFX Sort Name		-3.7		-5				
CAS-RCD-RP latencies		4-4-4		3-3-3		t_{CK}		
Parameter	Symbol	Min.	Max.	Min.	Max.	—		
Clock Frequency	@ CL = 3	t_{CK}	5	8	5	8	ns	1)2)3)4)
	@ CL = 4	t_{CK}	3.75	8	5	8	ns	1)2)3)4)
	@ CL = 5	t_{CK}	3.75	8	5	8	ns	1)2)3)4)
RAS-CAS-Delay	t_{RAS}	45	70000	40	70000	ns	1)2)3)4)5)	
Row Precharge Time	t_{RC}	60	—	55	—	ns	1)2)3)4)	
Row Active Time	t_{RCD}	15	—	15	—	ns	1)2)3)4)	
Row Cycle Time	t_{RP}	15	—	15	—	ns	1)2)3)4)	

- 1) Timings are guaranteed with CK/ \overline{CK} differential Slew Rate of 2.0 V/ns. For DQS signals timings are guaranteed with a differential Slew Rate of 2.0 V/ns in differential strobe mode and a Slew Rate of 1 V/ns in single ended mode. Timings are further guaranteed for normal OCD drive strength (EMRS(1) A1 = 0) only.
- 2) The CK/ \overline{CK} input reference level (for timing reference to CK/ \overline{CK}) is the point at which CK and \overline{CK} cross. The DQS / \overline{DQS} , RDQS / \overline{RDQS} , input reference level is the crosspoint when in differential strobe mode
- 3) Inputs are not recognized as valid until V_{REF} stabilizes. During the period before V_{REF} stabilizes, CKE = 0.2 x V_{DDQ} is recognized as low.
- 4) The output timing reference voltage level is V_{TT} .
- 5) $t_{RAS,MAX}$ is calculated from the maximum amount of time a DDR2 device can operate without a refresh command which is equal to 9 x t_{REFI} .

Table 17 Timing Parameter by Speed Grade - DDR2-400B & DDR2-533C

Parameter	Symbol	-3.7 DDR2-533 4-4-4		-5 DDR2-400 3-3-3		Unit	Notes ¹⁾
		Min.	Max.	Min.	Max.		
DQ output access time from CK / \overline{CK}	t_{AC}	-500	+500	-600	+600	ps	
CAS A to CAS B command period	t_{CCD}	2	—	2	—	t_{CK}	
CK, \overline{CK} high-level width	t_{CH}	0.45	0.55	0.45	0.55	t_{CK}	
CKE minimum high and low pulse width	t_{CKE}	3	—	3	—	t_{CK}	
CK, \overline{CK} low-level width	t_{CL}	0.45	0.55	0.45	0.55	t_{CK}	
Auto-Precharge write recovery + precharge time	t_{DAL}	WR + t_{RP}	—	WR + t_{RP}	—	t_{CK}	
Minimum time clocks remain ON after CKE asynchronously drops LOW	t_{DELAY}	$t_{IS} + t_{CK} + t_{IH}$	—	$t_{IS} + t_{CK} + t_{IH}$	—	ns	
DQ and DM input hold time (differential data strobe)	$t_{DH}(base)$	225	—	275	—	ps	
DQ and DM input hold time (single ended data strobe)	$t_{DH1}(base)$	-25	—	25	—	ps	
DQ and DM input pulse width (each input)	t_{DIPW}	0.35	—	0.35	—	t_{CK}	
DQS output access time from CK / \overline{CK}	t_{DQSCK}	-450	+450	-500	+500	ps	

Table 17 Timing Parameter by Speed Grade - DDR2-400B & DDR2-533C (cont'd)

Parameter	Symbol	-3.7 DDR2-533 4-4-4		-5 DDR2-400 3-3-3		Unit	Notes ¹⁾
		Min.	Max.	Min.	Max.		
DQS input low (high) pulse width (write cycle)	$t_{DQSL,H}$	0.35	—	0.35	—	t_{CK}	
DQS-DQ skew (for DQS & associated DQ signals)	t_{DQSQ}	—	300	—	350	ps	
Write command to 1st DQS latching transition	t_{DQSS}	WL - 0.25	WL + 0.25	WL - 0.25	WL + 0.25	t_{CK}	
DQ and DM input setup time (differential data strobe)	$t_{DS}(\text{base})$	100	—	150	—	ps	
DQ and DM input setup time (single ended data strobe)	$t_{DS1}(\text{base})$	-25	—	25	—	ps	
DQS falling edge hold time from CK (write cycle)	t_{DSH}	0.2	—	0.2	—	t_{CK}	
DQS falling edge to CK setup time (write cycle)	t_{DSS}	0.2	—	0.2	—	t_{CK}	
Clock half period	t_{HP}	MIN. (t_{CL}, t_{CH})		MIN. (t_{CL}, t_{CH})			
Data-out high-impedance time from CK / \overline{CK}	t_{HZ}	—	$t_{AC,MAX}$	—	$t_{AC,MAX}$	ps	
Address and control input hold time	$t_{IH}(\text{base})$	375	—	475	—	ps	
Address and control input pulse width (each input)	t_{IPW}	0.6	—	0.6	—	t_{CK}	
Address and control input setup time	$t_{IS}(\text{base})$	250	—	350	—	ps	
DQ low-impedance time from CK / \overline{CK}	$t_{LZ}(\text{DQ})$	$2 \times t_{AC,MIN}$	$t_{AC,MAX}$	$2 \times t_{AC,MIN}$	$t_{AC,MAX}$	ps	
DQS low-impedance from CK / \overline{CK}	$t_{LZ}(\text{DQS})$	$t_{AC,MIN}$	$t_{AC,MAX}$	$t_{AC,MIN}$	$t_{AC,MAX}$	ps	
Mode register set command cycle time	t_{MRD}	2	—	2	—	t_{CK}	
OCD drive mode output delay	t_{OIT}	0	12	0	12	ns	
Data output hold time from DQS	t_{QH}	$t_{HP} - t_{QHS}$	—	$t_{HPQ} - t_{QHS}$	—		
Data hold skew factor	t_{QHS}	—	400	—	450	ps	
Average periodic refresh Interval	t_{REFI}	—	7.8	—	7.8	μs	2)
		—	3.9	—	3.9	μs	3)
Auto-Refresh to Active/Auto-Refresh command period	t_{RFC}	75	—	75	—	ns	
Precharge-All (4 banks) command period	t_{RP}	$t_{RP} + 1t_{CK}$	—	$t_{RP} + 1t_{CK}$	—	ns	
Read preamble	t_{RPRE}	0.9	1.1	0.9	1.1	t_{CK}	
Read postamble	t_{RPST}	0.40	0.60	0.40	0.60	t_{CK}	
Active bank A to Active bank B command period	t_{RRD}	7.5	—	7.5	—	ns	
		10	—	10	—	ns	
Internal Read to Precharge command delay	t_{RTP}	7.5	—	7.5	—	ns	

Table 17 Timing Parameter by Speed Grade - DDR2-400B & DDR2-533C (cont'd)

Parameter	Symbol	-3.7 DDR2-533 4-4-4		-5 DDR2-400 3-3-3		Unit	Notes ¹⁾
		Min.	Max.	Min.	Max.		
		Write preamble	t_{WPRE}	$0.35 \times t_{CK}$	—		
Write postamble	t_{WPST}	0.40	0.60	0.40	0.60	t_{CK}	
Write recovery time for write without Auto-Precharge	t_{WR}	15	—	15	—	ns	
Write recovery time for write with Auto-Precharge	WR	t_{WR}/t_{CK}		t_{WR}/t_{CK}		t_{CK}	
Internal Write to Read command delay	t_{WTR}	7.5	—	10	—	ns	
Exit power down to any valid command (other than NOP or Deselect)	t_{XARD}	2	—	2	—	t_{CK}	
Exit active power-down mode to Read command (slow exit, lower power)	t_{XARDS}	6 – AL	—	6 – AL	—	t_{CK}	
Exit precharge power-down to any valid command (other than NOP or Deselect)	t_{XP}	2	—	2	—	t_{CK}	
Exit Self-Refresh to non-Read command	t_{XSNR}	$t_{RFC} + 10$	—	$t_{RFC} + 10$	—	ns	
Exit Self-Refresh to Read command	t_{XSRD}	200	—	200	—	t_{CK}	

1) For details and notes see the relevant INFINEON component data sheet

2) $0 \leq T_{CASE} \leq 85 \text{ }^\circ\text{C}$

3) $85 \text{ }^\circ\text{C} < T_{CASE} \leq 95 \text{ }^\circ\text{C}$

Table 18 ODT AC Electrical Characteristics and Operating Conditions

Symbol	Parameter / Condition	Values		Unit	Notes
		Min.	Max.		
t_{AOND}	ODT turn-on delay	2	2	t_{CK}	
t_{AON}	ODT turn-on	$t_{AC.MIN}$	$t_{AC.MAX} + 1 \text{ ns}$	ns	1)
t_{AONPD}	ODT turn-on (Power-Down Modes)	$t_{AC.MIN} + 2 \text{ ns}$	$2 t_{CK} + t_{AC.MAX} + 1 \text{ ns}$	ns	
t_{AOFD}	ODT turn-off delay	2.5	2.5	t_{CK}	
t_{AOF}	ODT turn-off	$t_{AC.MIN}$	$t_{AC.MAX} + 0.6 \text{ ns}$	ns	2)
t_{AOFPD}	ODT turn-off (Power-Down Modes)	$t_{AC.MIN} + 2 \text{ ns}$	$2.5 t_{CK} + t_{AC.MAX} + 1 \text{ ns}$	ns	
t_{ANPD}	ODT to Power Down Mode Entry Latency	3	—	t_{CK}	
t_{AXPD}	ODT Power Down Exit Latency	8	—	t_{CK}	

1) ODT turn on time min. is when the device leaves high impedance and ODT resistance begins to turn on. ODT turn on time max is when the ODT resistance is fully on. Both are measure from t_{AOND} .

2) ODT turn off time min. is when the device starts to turn off ODT resistance. ODT turn off time max is when the bus is in high impedance. Both are measured from t_{AOFD} .

5 SPD Codes

Table 21 SPD Codes for HYS[64/72]T[16/32][000/001]HU-3.7-A

Product Type		HYS64T16000HU-3.7-A	HYS64T32001HU-3.7-A	HYS72T32000HU-3.7-A
Organization		128 MB	256 MB	256 MB
		×64	×64	×72
		1 Rank (×16)	1 Rank (×8)	1 Rank (×8)
Label Code		PC2-4200U-444	PC2-4200U-444	PC2-4200U-444
JEDEC SPD Revision		Rev. 1.1	Rev. 1.1	Rev. 1.1
Byte#	Description	HEX	HEX	HEX
0	Programmed SPD Bytes in EEPROM	80	80	80
1	Total number of Bytes in EEPROM	08	08	08
2	Memory Type (DDR2)	08	08	08
3	Number of Row Addresses	0D	0D	0D
4	Number of Column Addresses	09	0A	0A
5	DIMM Rank and Stacking Information	60	60	60
6	Data Width	40	40	48
7	Not used	00	00	00
8	Interface Voltage Level	05	05	05
9	$t_{CK} @ CL_{MAX}$ (Byte 18) [ns]	3D	3D	3D
10	t_{AC} SDRAM @ CL_{MAX} (Byte 18) [ns]	50	50	50
11	Error Correction Support (non-ECC, ECC)	00	00	02
12	Refresh Rate and Type	82	82	82
13	Primary SDRAM Width	10	08	08
14	Error Checking SDRAM Width	00	00	08
15	Not used	00	00	00
16	Burst Length Supported	0C	0C	0C
17	Number of Banks on SDRAM Device	04	04	04
18	Supported CAS Latencies	38	38	38
19	DIMM Mechanical Characteristics	00	00	00
20	DIMM Type Information	02	02	02
21	DIMM Attributes	00	00	00
22	Component Attributes	01	01	01
23	$t_{CK} @ CL_{MAX} -1$ (Byte 18) [ns]	3D	3D	3D
24	t_{AC} SDRAM @ $CL_{MAX} -1$ [ns]	50	50	50
25	$t_{CK} @ CL_{MAX} -2$ (Byte 18) [ns]	50	50	50

Table 21 SPD Codes for HYS[64/72]T[16/32][000/001]HU-3.7-A (cont'd)

Product Type		HYS64T16000HU-3.7-A	HYS64T32001HU-3.7-A	HYS72T32000HU-3.7-A
Organization		128 MB	256 MB	256 MB
		×64	×64	×72
		1 Rank (×16)	1 Rank (×8)	1 Rank (×8)
Label Code		PC2-4200U-444	PC2-4200U-444	PC2-4200U-444
JEDEC SPD Revision		Rev. 1.1	Rev. 1.1	Rev. 1.1
Byte#	Description	HEX	HEX	HEX
26	t_{AC} SDRAM @ $CL_{MAX} - 2$ [ns]	60	60	60
27	$t_{RP.MIN}$ [ns]	3C	3C	3C
28	$t_{RRD.MIN}$ [ns]	28	1E	1E
29	$t_{RCD.MIN}$ [ns]	3C	3C	3C
30	$t_{RAS.MIN}$ [ns]	2D	2D	2D
31	Module Density per Rank	20	40	40
32	$t_{AS.MIN}$ and $t_{CS.MIN}$ [ns]	25	25	25
33	$t_{AH.MIN}$ and $t_{CH.MIN}$ [ns]	37	37	37
34	$t_{DS.MIN}$ [ns]	10	10	10
35	$t_{DH.MIN}$ [ns]	22	22	22
36	$t_{WR.MIN}$ [ns]	3C	3C	3C
37	$t_{WTR.MIN}$ [ns]	1E	1E	1E
38	$t_{RTP.MIN}$ [ns]	1E	1E	1E
39	Analysis Characteristics	00	00	00
40	t_{RC} and t_{RFC} Extension	00	00	00
41	$t_{RC.MIN}$ [ns]	3C	3C	3C
42	$t_{RFC.MIN}$ [ns]	4B	4B	4B
43	$t_{CK.MAX}$ [ns]	80	80	80
44	$t_{DQSQ.MAX}$ [ns]	1E	1E	1E
45	$t_{QHS.MAX}$ [ns]	28	28	28
46	PLL Relock Time	00	00	00
47	$T_{CASE.MAX}$ Delta / ΔT_{4R4W} Delta	56	55	55
48	Psi(T-A) DRAM	7A	82	82
49	ΔT_0 (DT0)	32	36	36
50	ΔT_{2N} (DT2N, UDIMM) or ΔT_{2Q} (DT2Q, RDIMM)	29	2B	2B
51	ΔT_{2P} (DT2P)	1F	21	21
52	ΔT_{3N} (DT3N)	1B	1D	1D

Table 21 SPD Codes for HYS[64/72]T[16/32][000/001]HU-3.7-A (cont'd)

Product Type		HYS64T16000HU-3.7-A	HYS64T32001HU-3.7-A	HYS72T32000HU-3.7-A
Organization		128 MB	256 MB	256 MB
		×64	×64	×72
		1 Rank (×16)	1 Rank (×8)	1 Rank (×8)
Label Code		PC2-4200U-444	PC2-4200U-444	PC2-4200U-444
JEDEC SPD Revision		Rev. 1.1	Rev. 1.1	Rev. 1.1
Byte#	Description	HEX	HEX	HEX
53	$\Delta T_{3P.fast}$ (DT3P fast)	25	28	28
54	$\Delta T_{3P.slow}$ (DT3P slow)	13	14	14
55	ΔT_{4R} (DT4R) / $\Delta T_{4R4W S}$ Sign (DT4R4W)	2E	2C	2C
56	ΔT_{5B} (DT5B)	14	15	15
57	ΔT_7 (DT7)	23	21	21
58	Psi(ca) PLL	00	00	00
59	Psi(ca) REG	00	00	00
60	ΔT_{PLL} (DTPLL)	00	00	00
61	ΔT_{REG} (DTREG) / Toggle Rate	00	00	00
62	SPD Revision	11	11	11
63	Checksum of Bytes 0-62	45	66	78
64	JEDEC ID Code of Infineon (1)	C1	C1	C1
65 - 71	JEDEC ID Code of Infineon (2 - 8)	00	00	00
72	Module Manufacturer Location	xx	xx	xx
73	Product Type, Char 1	36	36	37
74	Product Type, Char 2	34	34	32
75	Product Type, Char 3	54	54	54
76	Product Type, Char 4	31	33	33
77	Product Type, Char 5	36	32	32
78	Product Type, Char 6	30	30	30
79	Product Type, Char 7	30	30	30
80	Product Type, Char 8	30	31	30
81	Product Type, Char 9	48	48	48
82	Product Type, Char 10	55	55	55
83	Product Type, Char 11	33	33	33
84	Product Type, Char 12	2E	2E	2E
85	Product Type, Char 13	37	37	37
86	Product Type, Char 14	41	41	41

Table 21 SPD Codes for HYS[64/72]T[16/32][000/001]HU-3.7-A (cont'd)

Product Type		HYS64T16000HU-3.7-A	HYS64T32001HU-3.7-A	HYS72T32000HU-3.7-A
Organization		128 MB	256 MB	256 MB
		×64	×64	×72
		1 Rank (×16)	1 Rank (×8)	1 Rank (×8)
Label Code		PC2-4200U-444	PC2-4200U-444	PC2-4200U-444
JEDEC SPD Revision		Rev. 1.1	Rev. 1.1	Rev. 1.1
Byte#	Description	HEX	HEX	HEX
87	Product Type, Char 15	20	20	20
88	Product Type, Char 16	20	20	20
89	Product Type, Char 17	20	20	20
90	Product Type, Char 18	20	20	20
91	Module Revision Code	1x	1x	1x
92	Test Program Revision Code	xx	xx	xx
93	Module Manufacturing Date Year	xx	xx	xx
94	Module Manufacturing Date Week	xx	xx	xx
95 - 98	Module Serial Number (1 - 4)	xx	xx	xx
96	Module Serial Number (2)	xx	xx	xx
97	Module Serial Number (3)	xx	xx	xx
98	Module Serial Number (4)	xx	xx	xx
99 - 127	Not used	00	00	00

Table 22 SPD Codes for HYS[64/72]T[16/32][000/001]HU-5-A

Product Type		HYS64T1600HU-5-A	HYS64T32001HU-5-A	HYS72T32000HU-5-A
Organization		128 MB	256 MB	256 MB
		×64	×64	×72
		1 Rank (×16)	1 Rank (×8)	1 Rank (×8)
Label Code		PC2-3200U-333	PC2-3200U-333	PC2-3200U-333
JEDEC SPD Revision		Rev. 1.1	Rev. 1.1	Rev. 1.1
Byte#	Description	HEX	HEX	HEX
0	Programmed SPD Bytes in EEPROM	80	80	80
1	Total number of Bytes in EEPROM	08	08	08
2	Memory Type (DDR2)	08	08	08
3	Number of Row Addresses	0D	0D	0D
4	Number of Column Addresses	09	0A	0A
5	DIMM Rank and Stacking Information	60	60	60
6	Data Width	40	40	48
7	Not used	00	00	00
8	Interface Voltage Level	05	05	05
9	$t_{CK} @ CL_{MAX}$ (Byte 18) [ns]	50	50	50
10	t_{AC} SDRAM @ CL_{MAX} (Byte 18) [ns]	60	60	60
11	Error Correction Support (non-ECC, ECC)	00	00	02
12	Refresh Rate and Type	82	82	82
13	Primary SDRAM Width	10	08	08
14	Error Checking SDRAM Width	00	00	08
15	Not used	00	00	00
16	Burst Length Supported	0C	0C	0C
17	Number of Banks on SDRAM Device	04	04	04
18	Supported CAS Latencies	38	38	38
19	DIMM Mechanical Characteristics	00	00	00
20	DIMM Type Information	02	02	02
21	DIMM Attributes	00	00	00
22	Component Attributes	01	01	01
23	$t_{CK} @ CL_{MAX} -1$ (Byte 18) [ns]	50	50	50
24	t_{AC} SDRAM @ $CL_{MAX} -1$ [ns]	60	60	60
25	$t_{CK} @ CL_{MAX} -2$ (Byte 18) [ns]	50	50	50
26	t_{AC} SDRAM @ $CL_{MAX} -2$ [ns]	60	60	60
27	$t_{RP.MIN}$ [ns]	3C	3C	3C

Table 22 SPD Codes for HYS[64/72]T[16/32][000/001]HU-5-A (cont'd)

Product Type		HYS64T16000HU-5-A	HYS64T32001HU-5-A	HYS72T32000HU-5-A
Organization		128 MB	256 MB	256 MB
		×64	×64	×72
		1 Rank (×16)	1 Rank (×8)	1 Rank (×8)
Label Code		PC2-3200U-333	PC2-3200U-333	PC2-3200U-333
JEDEC SPD Revision		Rev. 1.1	Rev. 1.1	Rev. 1.1
Byte#	Description	HEX	HEX	HEX
28	$t_{RRD.MIN}$ [ns]	28	1E	1E
29	$t_{RCD.MIN}$ [ns]	3C	3C	3C
30	$t_{RAS.MIN}$ [ns]	28	28	28
31	Module Density per Rank	20	40	40
32	$t_{AS.MIN}$ and $t_{CS.MIN}$ [ns]	35	35	35
33	$t_{AH.MIN}$ and $t_{CH.MIN}$ [ns]	47	47	47
34	$t_{DS.MIN}$ [ns]	15	15	15
35	$t_{DH.MIN}$ [ns]	27	27	27
36	$t_{WR.MIN}$ [ns]	3C	3C	3C
37	$t_{WTR.MIN}$ [ns]	28	28	28
38	$t_{RTP.MIN}$ [ns]	1E	1E	1E
39	Analysis Characteristics	00	00	00
40	t_{RC} and t_{RFC} Extension	00	00	00
41	$t_{RC.MIN}$ [ns]	37	37	37
42	$t_{RFC.MIN}$ [ns]	4B	4B	4B
43	$t_{CK.MAX}$ [ns]	80	80	80
44	$t_{DQSQ.MAX}$ [ns]	23	23	23
45	$t_{QHS.MAX}$ [ns]	2D	2D	2D
46	PLL Relock Time	00	00	00
47	$T_{CASE.MAX}$ Delta / ΔT_{4R4W} Delta	56	53	53
48	Psi(T-A) DRAM	7A	82	82
49	ΔT_0 (DT0)	2A	2E	2E
50	ΔT_{2N} (DT2N, UDIMM) or ΔT_{2Q} (DT2Q, RDIMM)	20	23	23
51	ΔT_{2P} (DT2P)	1F	21	21
52	ΔT_{3N} (DT3N)	17	19	19
53	$\Delta T_{3P.fast}$ (DT3P fast)	1E	20	20
54	$\Delta T_{3P.slow}$ (DT3P slow)	13	14	14
55	ΔT_{4R} (DT4R) / ΔT_{4R4W} Sign (DT4R4W)	28	26	26

Table 22 SPD Codes for HYS[64/72]T[16/32][000/001]HU-5-A (cont'd)

Product Type		HYS64T16000HU-5-A	HYS64T32001HU-5-A	HYS72T32000HU-5-A
Organization		128 MB	256 MB	256 MB
		×64	×64	×72
		1 Rank (×16)	1 Rank (×8)	1 Rank (×8)
Label Code		PC2-3200U-333	PC2-3200U-333	PC2-3200U-333
JEDEC SPD Revision		Rev. 1.1	Rev. 1.1	Rev. 1.1
Byte#	Description	HEX	HEX	HEX
56	ΔT_{5B} (DT5B)	13	14	14
57	ΔT_7 (DT7)	20	1F	1F
58	Psi(ca) PLL	00	00	00
59	Psi(ca) REG	00	00	00
60	ΔT_{PLL} (DTPLL)	00	00	00
61	ΔT_{REG} (DTREG) / Toggle Rate	00	00	00
62	SPD Revision	11	11	11
63	Checksum of Bytes 0-62	99	B9	CB
64	JEDEC ID Code of Infineon (1)	C1	C1	C1
65 - 71	JEDEC ID Code of Infineon (2 - 8)	00	00	00
72	Module Manufacturer Location	xx	xx	xx
73	Product Type, Char 1	36	36	37
74	Product Type, Char 2	34	34	32
75	Product Type, Char 3	54	54	54
76	Product Type, Char 4	31	33	33
77	Product Type, Char 5	36	32	32
78	Product Type, Char 6	30	30	30
79	Product Type, Char 7	30	30	30
80	Product Type, Char 8	30	31	30
81	Product Type, Char 9	48	48	48
82	Product Type, Char 10	55	55	55
83	Product Type, Char 11	35	35	35
84	Product Type, Char 12	41	41	41
85	Product Type, Char 13	20	20	20
86	Product Type, Char 14	20	20	20
87	Product Type, Char 15	20	20	20
88	Product Type, Char 16	20	20	20
89	Product Type, Char 17	20	20	20
90	Product Type, Char 18	20	20	20

Table 22 SPD Codes for HYS[64/72]T[16/32][000/001]HU-5-A (cont'd)

Product Type		HYS64T16000HU-5-A	HYS64T32001HU-5-A	HYS72T32000HU-5-A
Organization		128 MB	256 MB	256 MB
		×64	×64	×72
		1 Rank (×16)	1 Rank (×8)	1 Rank (×8)
Label Code		PC2-3200U-333	PC2-3200U-333	PC2-3200U-333
JEDEC SPD Revision		Rev. 1.1	Rev. 1.1	Rev. 1.1
Byte#	Description	HEX	HEX	HEX
91	Module Revision Code	1x	1x	1x
92	Test Program Revision Code	xx	xx	xx
93	Module Manufacturing Date Year	xx	xx	xx
94	Module Manufacturing Date Week	xx	xx	xx
95 - 98	Module Serial Number (1 - 4)	xx	xx	xx
99 - 127	Not used	00	00	00

6 Package Outlines

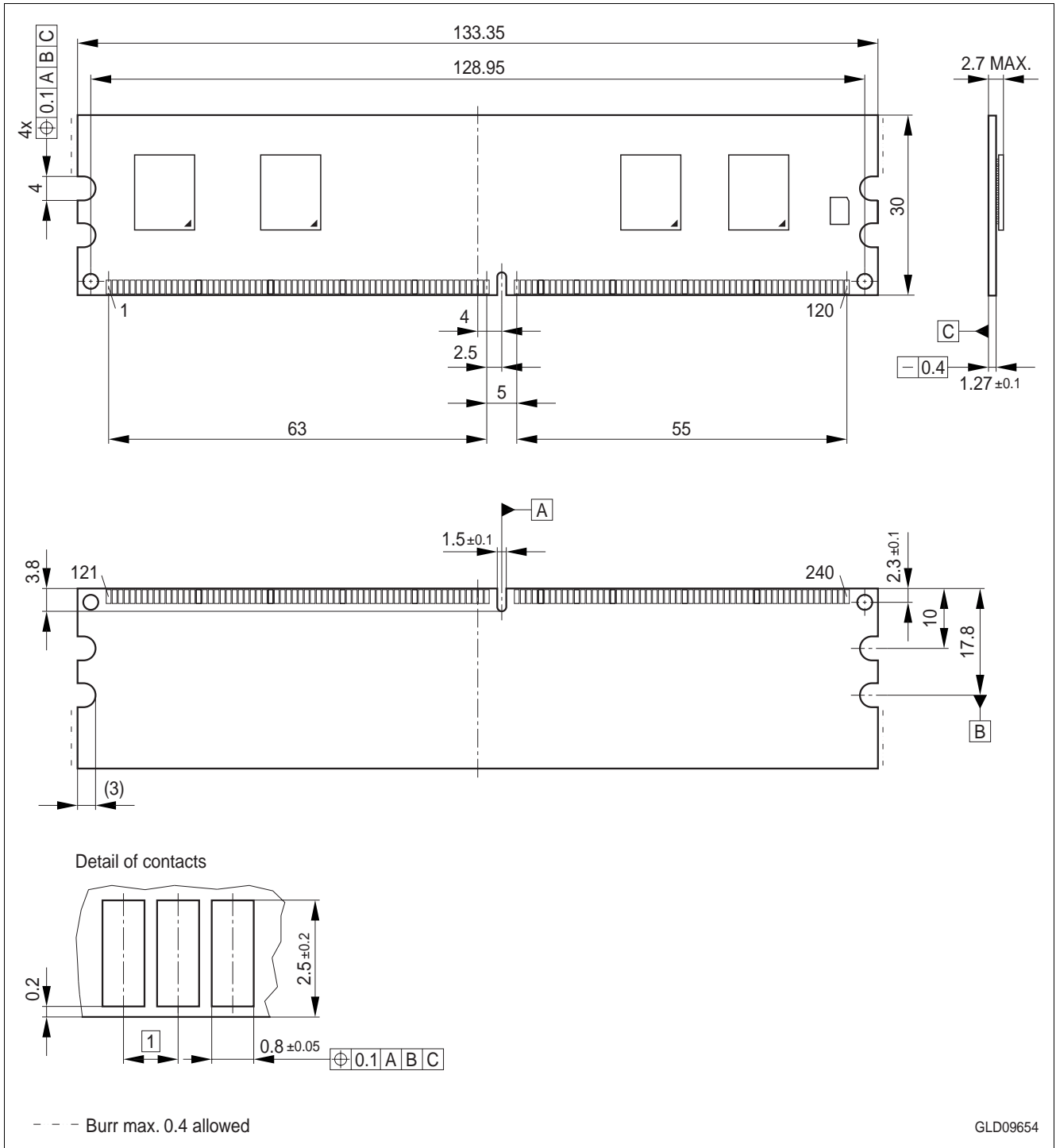


Figure 6 Package Outline Raw Card C L-DIM-240-3

6.1 Raw Card A

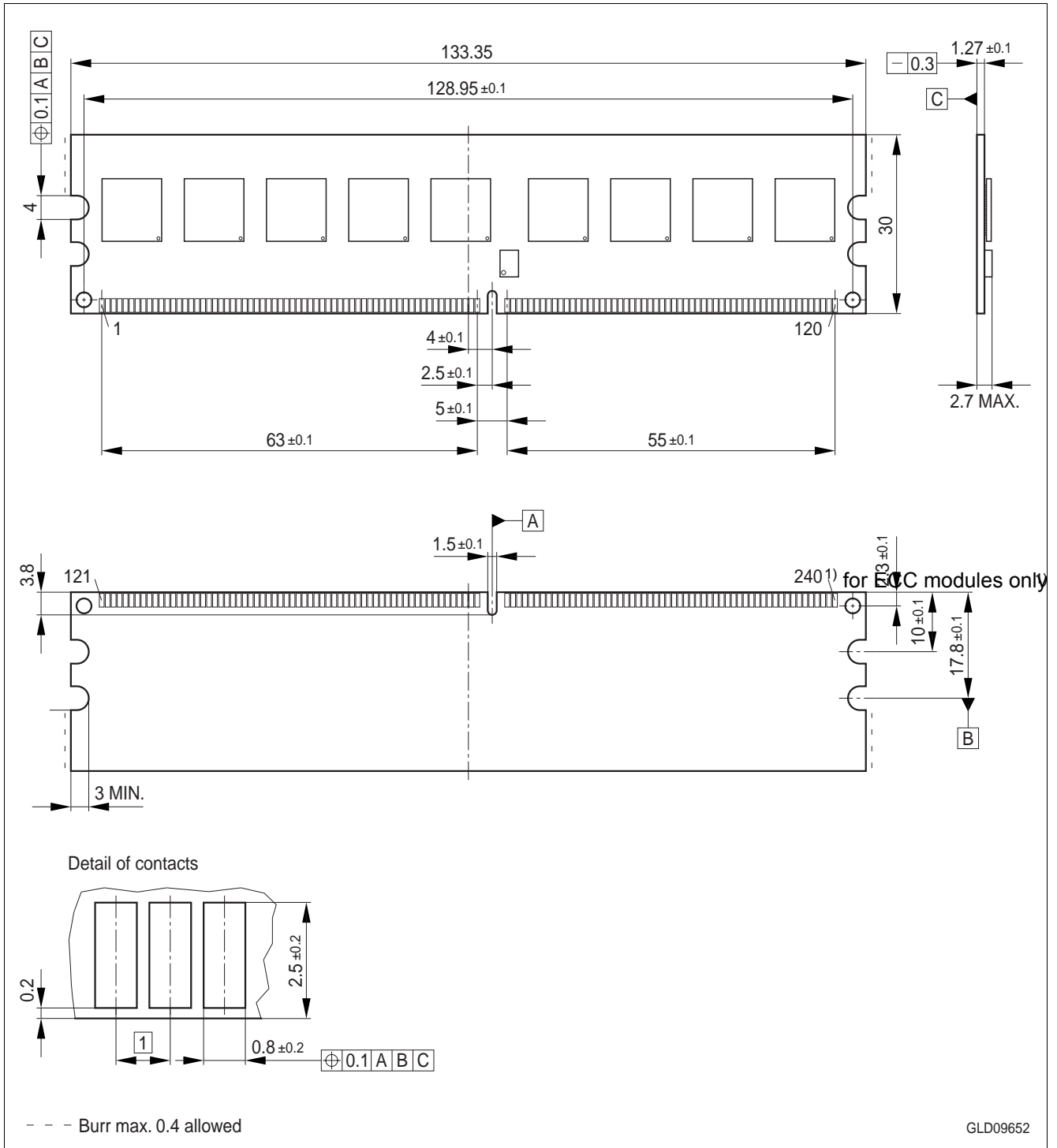


Figure 7 Package Outline L-DIM-240-1

7 Product Type Nomenclature (DDR2 DRAMs and DIMMs)

Infineon's nomenclature uses simple coding combined with some proprietary coding. [Table 23](#) provides examples for module and component product type number as well as the field number. The detailed field description together with possible values and coding explanation is listed for modules in [Table 24](#) and for components in [Table 25](#).

Table 23 Nomenclature Fields and Examples

Example for	Field Number										
	1	2	3	4	5	6	7	8	9	10	11
Micro-DIMM	HYS	64	T	64	0	2	0	K	M	-5	-A
DDR2 DRAM	HYB	18	T	512	16		0	A	C	-5	

Table 24 DDR2 DIMM Nomenclature

Field	Description	Values	Coding
1	INFINEON Modul Prefix	HYS	Constant
2	Module Data Width [bit]	64	Non-ECC
		72	ECC
3	DRAM Technology	T	DDR2
4	Memory Density per I/O [Mbit]; Module Density ¹⁾	32	256 MByte
		64	512 MByte
		128	1 GByte
		256	2 GByte
5	Raw Card Generation	0 .. 9	Look up table
6	Number of Module Ranks	0, 2, 4	1, 2, 4
7	Product Variations	0 .. 9	Look up table
8	Package, Lead-Free Status	A .. Z	Look up table
9	Module Type	D	SO-DIMM
		M	Micro-DIMM
		R	Registered
		U	Unbuffered
10	Speed Grade	-3.7	PC2-4200 4-4-4
		-5	PC2-3200 3-3-3
11	Die Revision	-A	First
		-B	Second

1) Multiplying "Memory Density per I/O" with "Module Data Width" and dividing by 8 for Non-ECC and 9 for ECC modules gives the overall module memory density in MBytes as listed in column "Coding".

Table 25 DDR2 DRAM Nomenclature

Field	Description	Values	Coding
1	INFINEON Component Prefix	HYB	Constant
2	Interface Voltage [V]	18	SSTL1.8
3	DRAM Technology	T	DDR2
4	Component Density [Mbit]	256	256 Mbit
		512	512 Mbit
		1G	1 Gbit
		2G	2 Gbit
5+6	Number of I/Os	40	×4
		80	×8
		16	×16
7	Product Variations	0 .. 9	Look up table
8	Die Revision	A	First
		B	Second
9	Package, Lead-Free Status	C	FBGA, lead-containing
		F	FBGA, lead-free
10	Speed Grade	-3.7	DDR2-533C
		-5	DDR2-400B
11	N/A for Components		

www.infineon.com