

Radiation Hardened 8 Channel CMOS Analog Multiplexer with Overvoltage Protection

The HS-508BRH is a dielectrically isolated, radiation hardened, CMOS analog multiplexer incorporating an important feature; it withstands analog input voltages much greater than the supplies. This is essential in any system where the analog inputs originate outside the equipment. They can withstand a continuous input up to 10V greater than either supply, which eliminates the possibility of damage when supplies are off, but input signals are present. Equally important, it can withstand brief input transient spikes of several hundred volts; which otherwise would require complex external protection networks. Necessarily, ON resistance is somewhat higher than similar unprotected devices, but very low leakage current combine to produce low errors. Reference Application Notes 520 and 521 for further information on the HS-508BRH multiplexer in general.

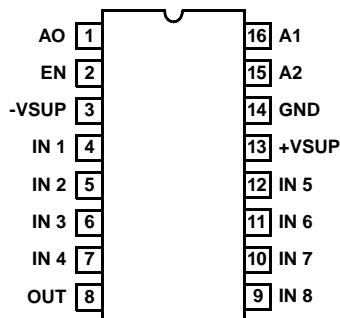
The HS-508BRH has been specifically designed to meet exposure to radiation environments. Operation from -55°C to 125°C is guaranteed.

Ordering Information

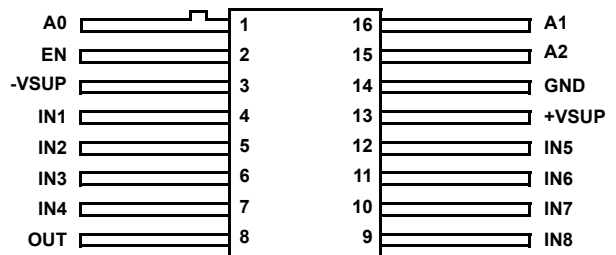
ORDERING NUMBER	INTERNAL MKT. NUMBER	TEMP. RANGE (°C)
5962F9674202QEC	HS1-508BRH-8	-55 to 125
5962F9674202QXC	HS9-508BRH-8	-55 to 125
5962F9674202VEC	HS1-508BRH-Q	-55 to 125
5962F9674202VXC	HS9-508BRH-Q	-55 to 125
HS1-508BRH/PROTO	HS1-508BRH/PROTO	-55 to 125
HS9-508BRH/PROTO	HS9-508BRH/PROTO	-55 to 125

Pinouts

**HS1-508BRH 16 LEAD SIDEBRAZE DIP
MIL-STD-1835, CDIP2-T16
TOP VIEW**



**HS9-508BRH 16 LEAD FLATPACK
MIL-STD-1835, CDFP4-F16
TOP VIEW**



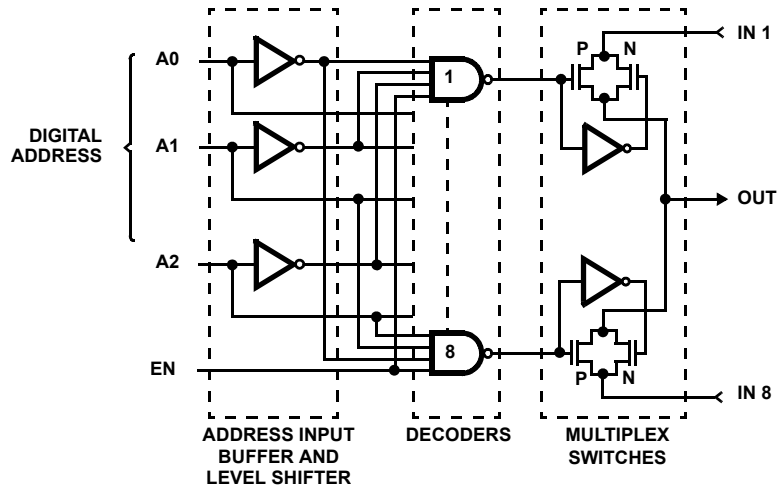
Features

- Electrically Screened to SMD # 5962-96742
- QML Qualified per MIL-PRF-38535 Requirements
- Radiation Environment
 - Gamma Dose (γ) 3×10^5 Rad (Si)
 - Dielectrically Isolated Device Islands
 - SEP >100 Mev-mg/cm²
- Analog/Digital Overvoltage Protection
- ESD Rated to 3kV
- Fail Safe with Power Loss (No Latchup)
- Break-Before-Make Switching
- (Typ) DTL/TTL and CMOS Compatible Threshold
- Analog Signal Range $\pm 15V$
- Fast Access Time
- Supply Current at 1MHz Address Toggle 4mA (Typ)
- Standby Power 7.5mW (Typ)

Specifications for Rad Hard QML devices are controlled by the Defense Supply Center in Columbus (DSCC). The SMD numbers listed here must be used when ordering.

Detailed Electrical Specifications for these devices are contained in SMD 5962-96742. A “hot-link” is provided on our homepage for downloading.
www.intersil.com/spacedefense/newsafclasst.asp

Functional Diagram



Truth Table

A2	A1	A0	EN	"ON" CHANNEL
X	X	X	L	NONE
L	L	L	H	1
L	L	H	H	2
L	H	L	H	3
L	H	H	H	4
H	L	L	H	5
H	L	H	H	6
H	H	L	H	7
H	H	H	H	8

HS-508BRH

Die Characteristics

DIE DIMENSIONS

120 mils x 93 mils x 19 mils

INTERFACE MATERIALS

Glassivation

Type: Phosphorus Silicon Glass (PSG)

Thickness: $8k\text{\AA} \pm 1k\text{\AA}$

Top Metallization

Type: AlSiCu

Thickness: $16k\text{\AA} \pm 2k\text{\AA}$

Substrate

Rad Hard Silicon Gate

Dielectric Isolation

Backside Finish

Silicon

ASSEMBLY RELATED INFORMATION

Substrate Potential

Unbiased (DI)

ADDITIONAL INFORMATION

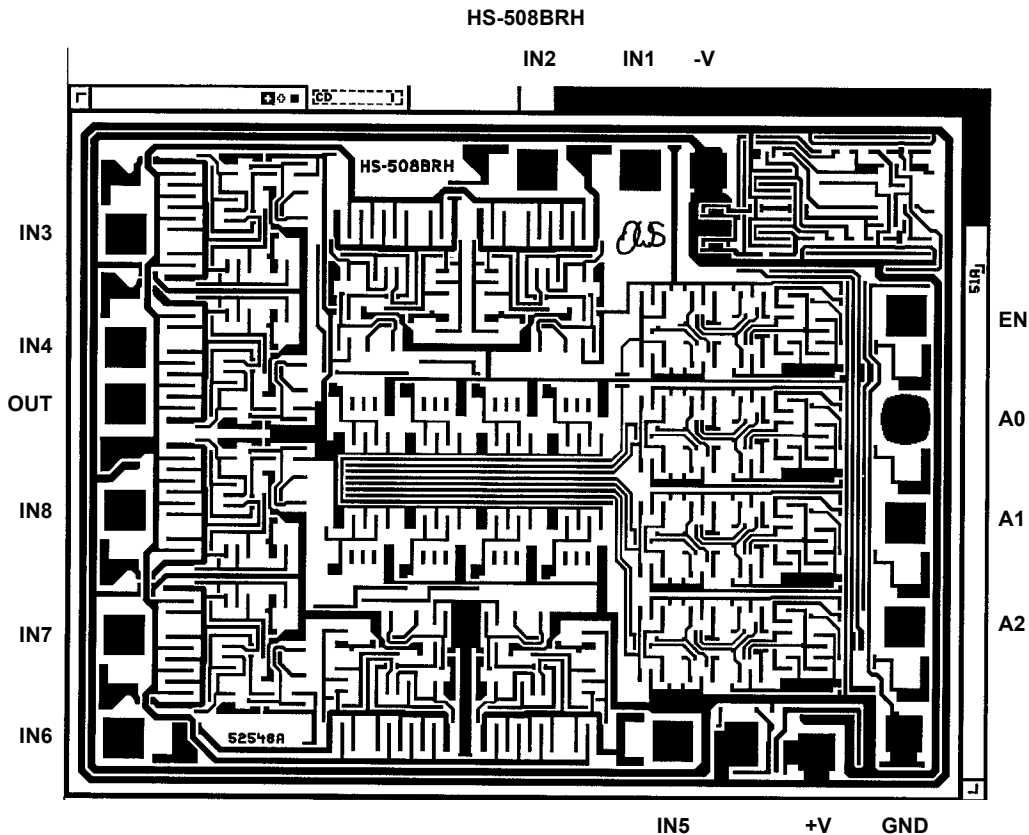
Worst Case Current Density

$6.68e04 \text{ A/cm}^2$

Transistor Count

506

Metallization Mask Layout



All Intersil U.S. products are manufactured, assembled and tested utilizing ISO9000 quality systems.

Intersil Corporation's quality certifications can be viewed at www.intersil.com/design/quality

Intersil products are sold by description only. Intersil Corporation reserves the right to make changes in circuit design, software and/or specifications at any time without notice. Accordingly, the reader is cautioned to verify that data sheets are current before placing orders. Information furnished by Intersil is believed to be accurate and reliable. However, no responsibility is assumed by Intersil or its subsidiaries for its use; nor for any infringements of patents or other rights of third parties which may result from its use. No license is granted by implication or otherwise under any patent or patent rights of Intersil or its subsidiaries.

For information regarding Intersil Corporation and its products, see www.intersil.com