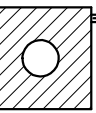
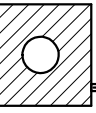


FERROXCUBE

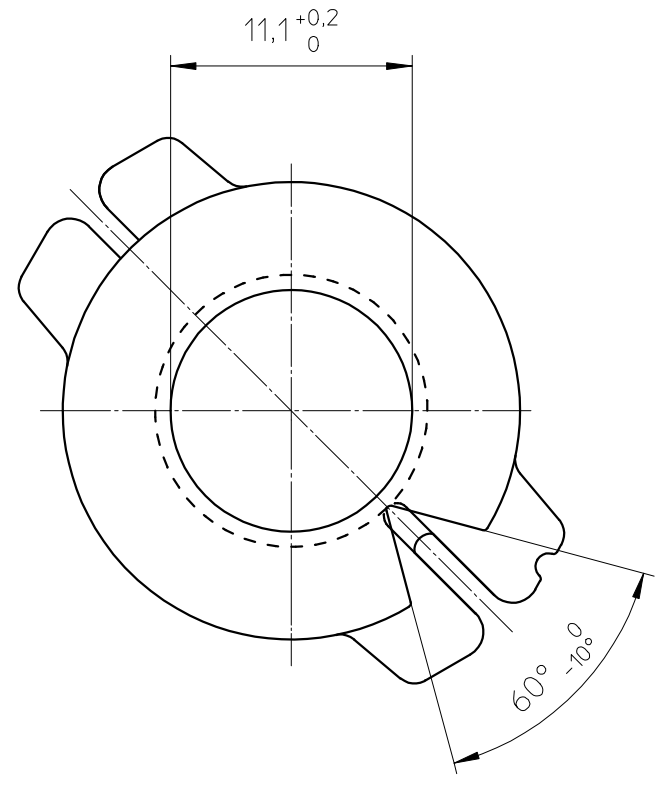
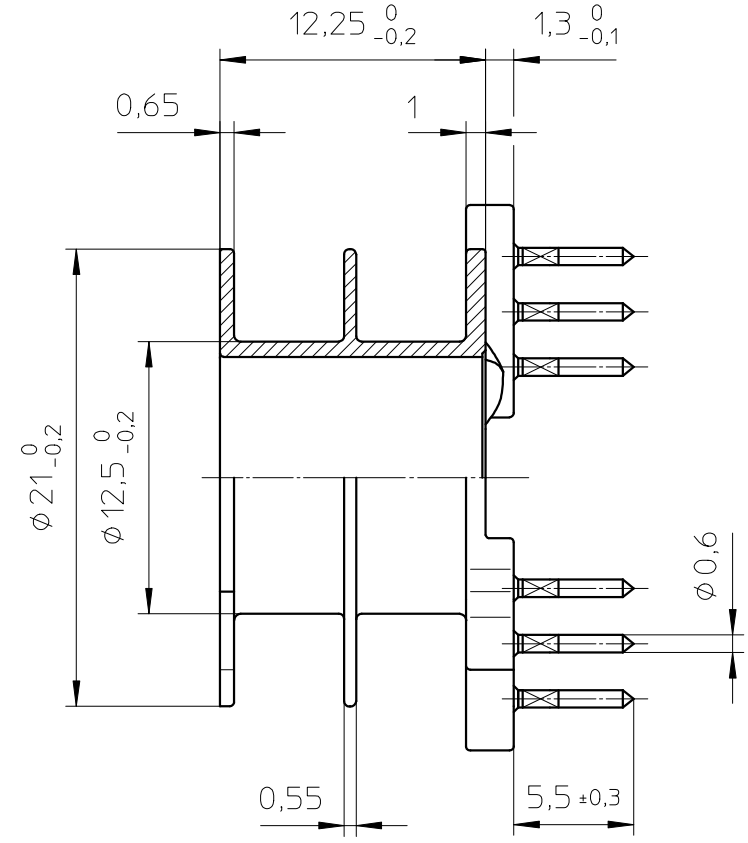
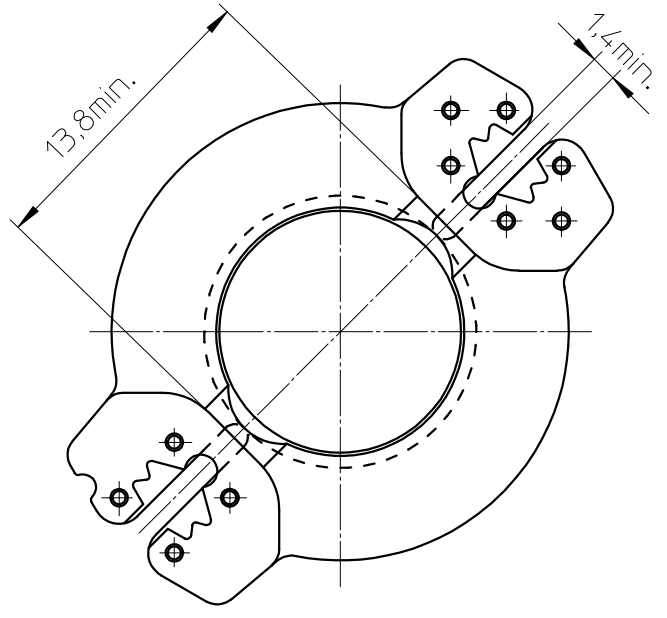


© N.V. Philips Gloeilampenfabrieken 19...
 All rights reserved. No part of this document may be reproduced or transmitted in any form or by any means, electronic or mechanical, including photocopying, recording, or by any information storage and retrieval system, without the written consent of the copyright owner.

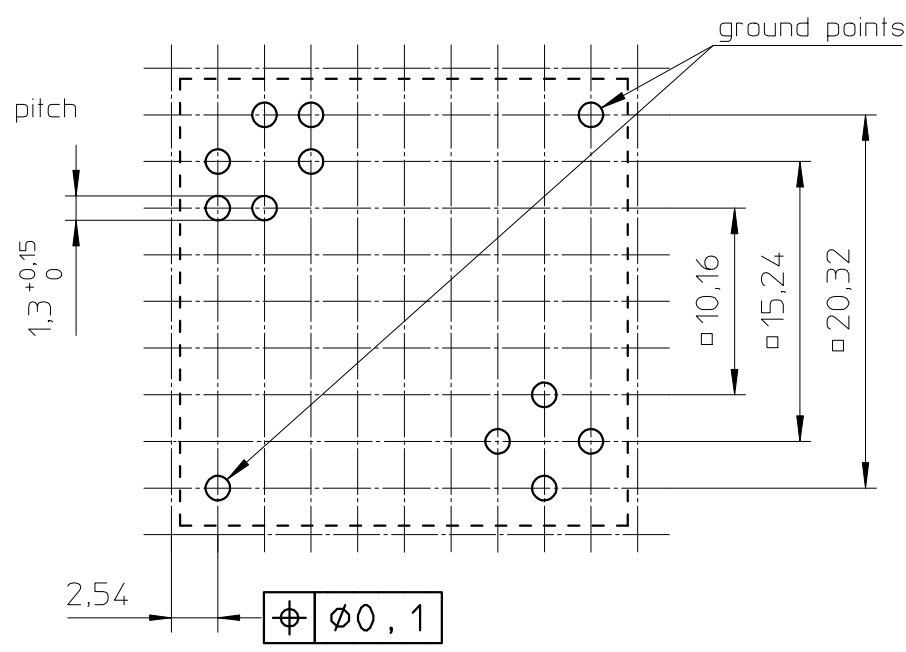
© N.V. Philips Gloeilampenfabrieken 19...
 Alle rechten voorbehouden. Het verspreiden, openbaar maken of openbaar maken van de inhoud van dit document is niet toegestaan dan met schriftelijke toestemming van de auteursrechtbehebbers.



1 2 3 4 5 6 7 8



HOLE PATTERN:
 Space requirement 10x10 pitch



Coil former material: Bakelite UP 3420, glass-reinforced
 UL file number: E61040 - UL94V-0.
 Pin material: CuSn - Ni flash, Sn plated.
 Max. operating temp.: acc. to IEC 60 085 class F, 155°C
 Resistance to soldering heat: acc. to IEC 60 068-2-20 Part 2, Test Tb, method 1B 350°C-3.5sec.
 Solderability: acc. to IEC 60 068-2-20 Part 2, Test Ta, method 1, 235°C-2sec.
 Winding area: 42,7 mm.²
 Mean length of turn: 52,3mm.

CLASS.NO.	90-01-26		97-04-18		04-09-28		2005-09-01	
CSV-RM10-2S-10P			4322 021 34791					
NAME NAAM	M.Veekens	SUPERS. VERV.	1	SH BL.	112 - 001	010	A3	
MPA	CHECK CONTR.	DAT.	89-04-05	Property of Eigendom van		© FERROXCUBE 2000		

1 2 3 4

H