

MULTI LAMPS LED BULB

Data Sheet

Description:

These multi lamps LED Bulbs are specifically designed for flashlight electric equipment, indicator light switch and where a wide view angle. The top view LED radiation pattern (360°) and high luminous intensity ensure that these devices are excellent for wide field of view outdoor applications where a wide viewing angle and readability in sunlight are essential.

High efficiency LED materials are used in this Bulb. Every lamp is made with an advanced optical grade epoxy offering superior high shock and high temperature resistance in outdoor applications.

Feature:

- Wide view angle
- High luminous output
- Seven kind color
- Solid-state Vibration resistant
- Saving power
- Long life

Option:

- 12V to 28V DC
- Other industry standard base

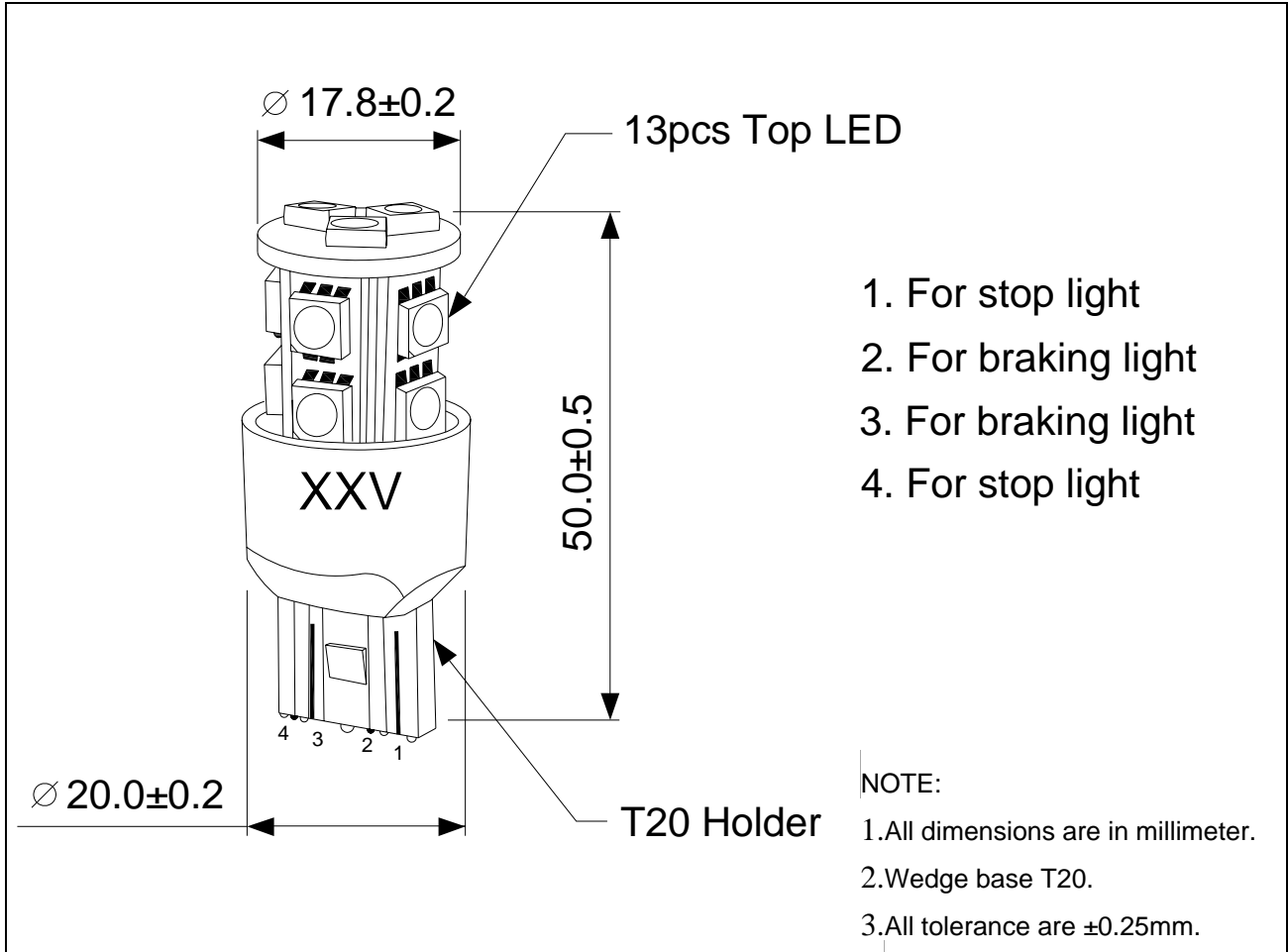
A-BRIGHT

A-BRIGHT INDUSTRIAL CO.,LTD.

Part No.: AB-13TOPR-24VD-T2S-0

Multi Lamps LED Bulb

PACKAGE DIMENSIONS :



Part No.: AB-13TOPR-24VD-T2S-0

Multi Lamps LED Bulb

FEATURE:

- SUPER LUMINOSITY RED LED (AlGaInP).
- WATER CLEAR PACKAGE.
- 3 CHIPS TOP VIEW LED.
- WIDE VIEWING ANGLE.
- WEDGE BASE T20.
- ELECTRIC DC.

MATERIALS:

- LED LENS: UV RESISTENT EPOXY

ABSOLUTE MAXIMUM RATING: Ta = 25 °C

- PEAK OPERATE VOLTAGE..... 28 V
- OPERATING TEMPERATURE..... -25 TO +85°C
- STORAGE TEMPERATURE..... -35 TO +100°C
- LED BULB LIFE..... 50000 HOURS
(LUMINANCE REDUCES to 50%)

ABSOLUTE OPTICAL CHARACTERISTIC Ta= 25°C

PARAMETER		SYMBOL	MIN.	TYP.	MAX.	UNIT
Operate Voltage		V	----	24	----	V
Luminous Intensity	IF= 30 mA	Iv	3000	4500	----	mcd
	IF= 90 mA		9000	14000	----	
Dominant Wavelength	IF= 90 mA	λd	----	625	----	nm
Spectrum Radiation Bandwidth	IF= 90 mA	Δλ	----	30	----	nm
Forward Current	VIN= 24 V DC	IF	----	90	----	mA
Viewing Angle		2θ1/2	----	360	----	deg