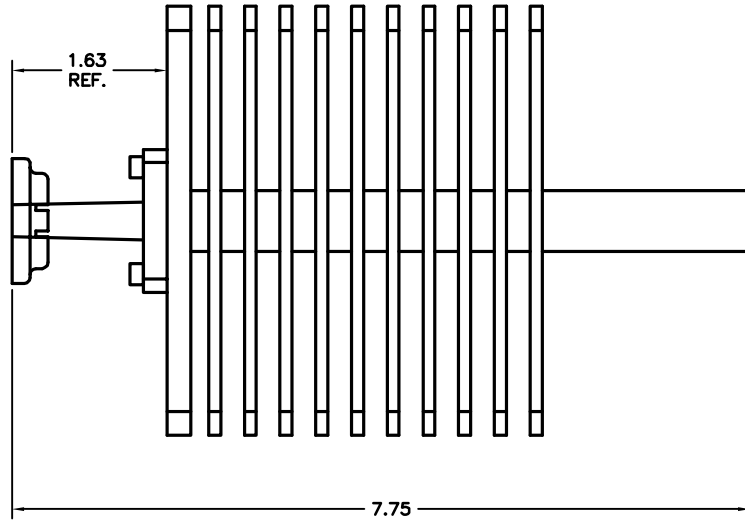
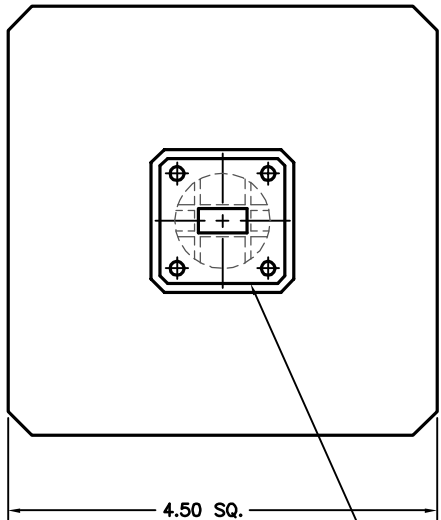


REV. A	DATE 5/8/02	INITIAL RELEASE	APPROVED
B	5/20/02	LENGTH WAS: 7.63, IS 7.69.	
C	6/3/02	LENGTH WAS: 7.69, IS: 7.75; WERE: 14 FINS, ARE: 12 FINS.	
D	10/8/02	LENGTH WAS: 7.75 IS: 7.50, DIM WAS 1.94, IS 1.69 FINS WERE 3.5" SQ., ARE 4" SQ.	
E	10/14/02	ADDED 3 FINS @ .188 O.C. BETWEEN ORIG' 1st 3 FINS.	
F	10/28/03	REDRAWN TO FLOATING ENDCAP PROFILE.	
G	11/8/03	LENGTH 7.75, WAS: 7.50, TRANSITION 1.63, WAS: 1.73	



WR51 FLANGE AS PER CUST. REQ. (COVER SHOWN)

PERFORMANCE SPECIFICATIONS

MODEL NUMBER: 51-760-FLANGE TYPE*

WG SIZE: WR51
 FREQ: 15.0 - 22.0 GHz
 AVG. POWER: 1200 WATTS
 VSWR: 1.1 MAX.
 FINISH: HI TEMP BLACK

*FLANGE TYPE
1 = CPRG
2 = CPRF
3 = CMR STANDARD
4 = CMR CLEAR
5 = CMR TAP
6 = UG COVER
7 = UG CHOKE
8 = SPEC
9 = PDR
10 = UDR

MATERIAL	6061 ALUM.	TREATMENT	-	DRAWN	R. LYNCH	DATE	5/21/02
FINISH	HI TEMP BLACK	MOD NO.	51-760-X	CHECKED		DATE	
<h2>OUTLINE, WR51 HP W.G. TERMINATION</h2>				APPROVED		DATE	
				CAGE CODE: OR8N4		DO NOT SCALE DWG	
				ADVANCED TECHNICAL MATERIALS, INC. 49 RIDER AVE., PATCHOGUE N.Y. 11772 TEL: (631) 289-0386 FAX: (631) 289-0358 http://www.atmmicrowave.com		UNLESS OTHERWISE NOTED DIMENSIONS ARE IN INCHES TOLERANCES ARE:	
		PROPRIETARY NOTICE: THE INFORMATION IN THIS DRAWING IS PROPRIETARY AND SHALL NOT BE USED OR DISCLOSED WITHOUT THE PRIOR WRITTEN CONSENT OF ATM, INC.		SCALE 1/2	DWG. NO. 4899	REV. G	