

PLEASE CHECK WWW.MOLEX.COM FOR LATEST PART INFORMATION

Part Number: [0945529012](#)
Status: **Active**
Overview: [mox crimp terminals](#)
Description: Housing A USCAR, Receptacle for Mox Terminal 0.64 mm, 12 Circuits

Documents:

[Drawing \(PDF\)](#) [RoHS Certificate of Compliance \(PDF\)](#)

General

Product Family	Crimp Housings
Series	94552
Overview	mox crimp terminals
Product Name	USCAR

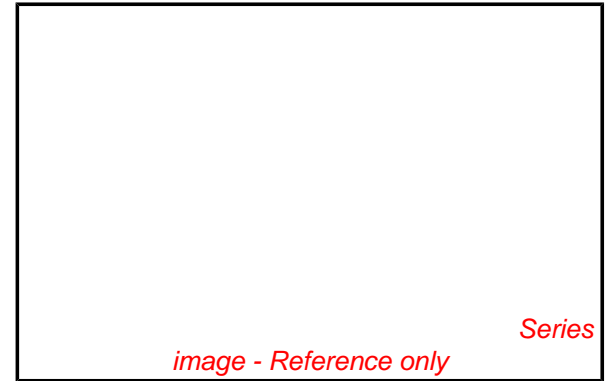
Physical

Circuits (maximum)	12
Color - Resin	Black
Gender	Female
Glow-Wire Compliant	No
Material - Resin	Polyester
Number of Rows	2
Packaging Type	Bag
Panel Mount	No
Pitch - Mating Interface (in)	0.100 In
Pitch - Mating Interface (mm)	2.54 mm
Temperature Range - Operating	-40°C to +85°C

Material Info

Reference - Drawing Numbers

Application Specification	AS-94552-001
Packaging Specification	PK-94552-001
Product Specification	RPS-94552-002
Sales Drawing	SD-94552-002



EU RoHS

ELV and RoHS Compliant
REACH SVHC Contains SVHC: No
Halogen-Free Status
Halogen-Free

China RoHS



Need more information on product environmental compliance?

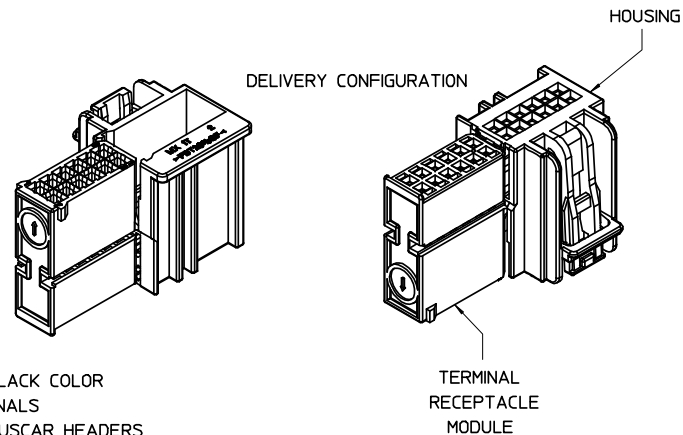
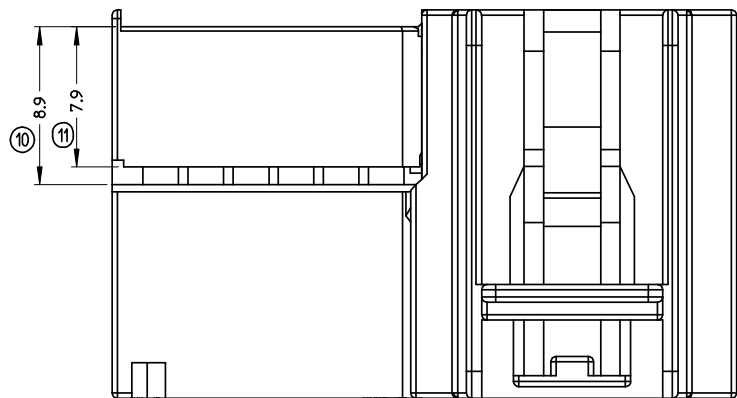
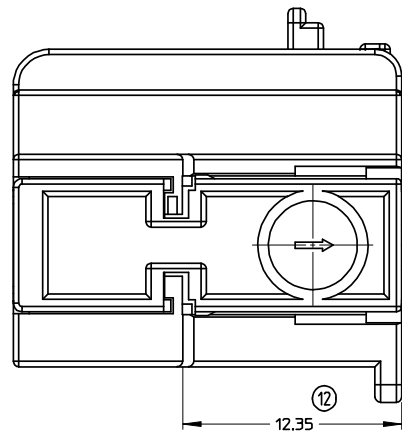
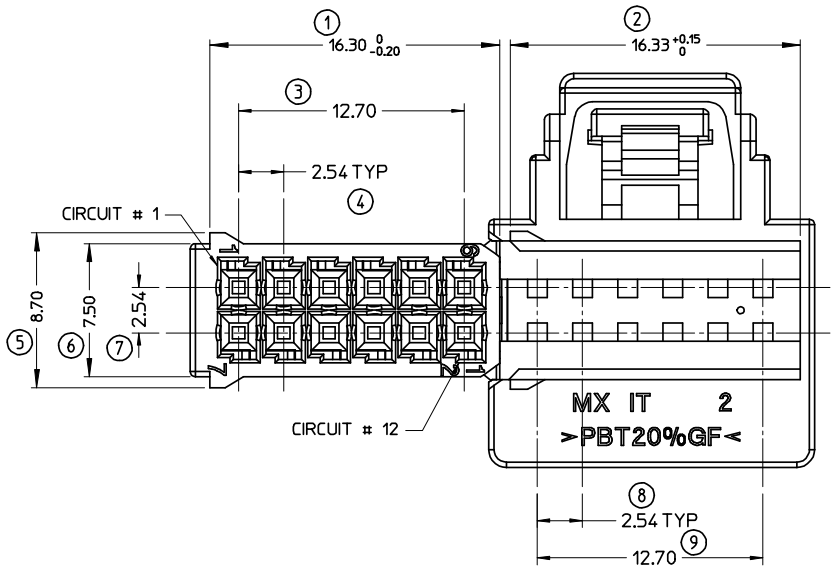
Email productcompliance@molex.com
 For a multiple part number RoHS Certificate of Compliance, [click here](#)

Please visit the [Contact Us](#) section for any non-product compliance questions.

Search Parts in this Series
[94552Series](#)

Mates With
[31341-2641](#)

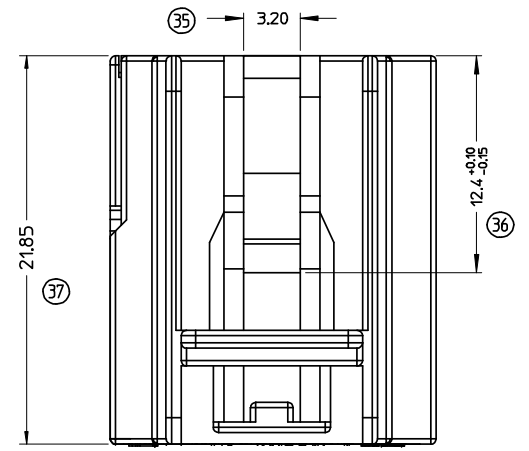
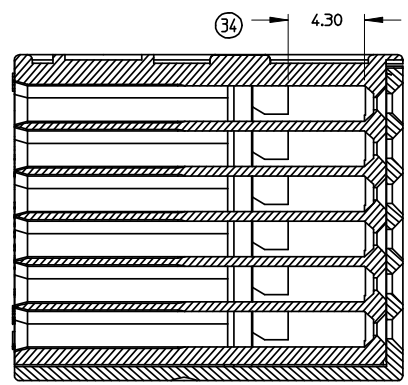
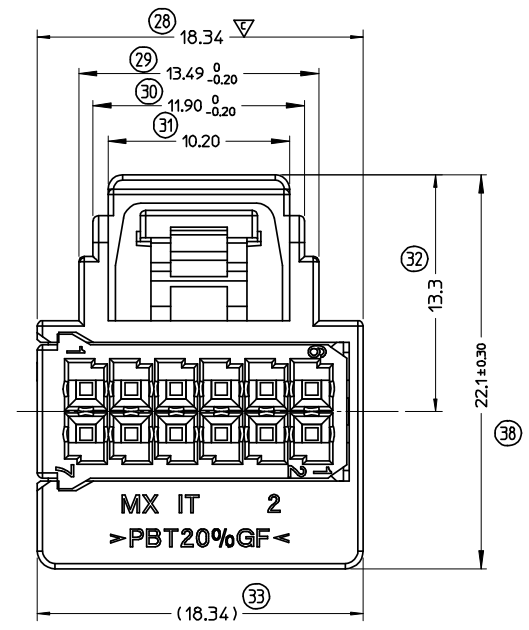
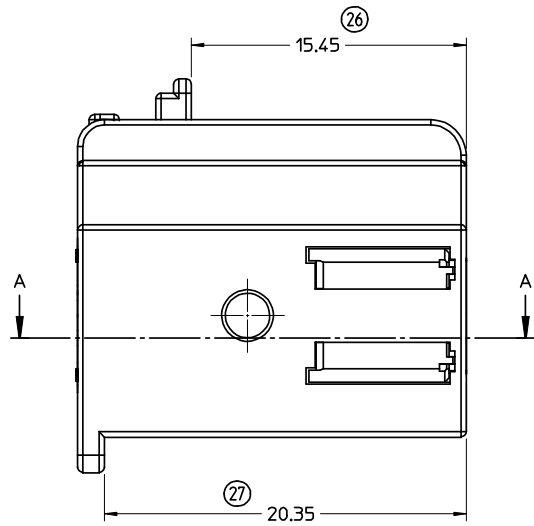
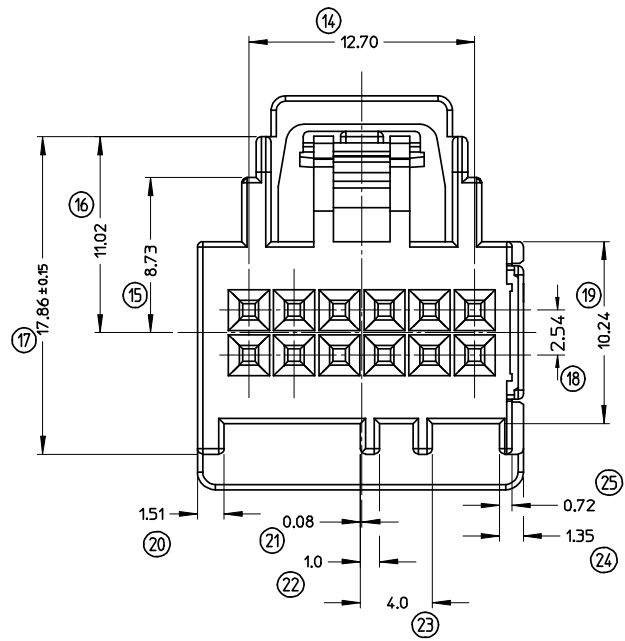
Use With
[98658-xxxx](#) Terminals



- 1) MATERIAL: GLASS FILLED PBT, BLACK COLOR
- 2) USED WITH 98658 SERIES TERMINALS
- 3) MATES WITH 31341-2641 SERIES USCAR HEADERS
- 4) PACKAGING: IN CARTON BOXES (SEE DRAWING PK-94552-001 FOR DETAILS)
- 5) SPQ: 15840 pcs
- 6) IN THE EVENT OF PARTIAL OR TOTAL SEPARATION, PARTS DO NOT LOOSE THEIR FUNCTIONALITY

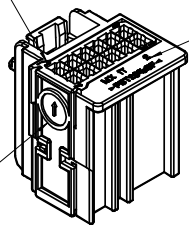
STD. DESCR: RECEPTACLE FOR MOX TERM, 12 CKT

EC NO: Z2008-0179 DRWN: SBARBIER 2008/04/22 CHKD: LSANTOSSO 2008/04/22 APPR: FBISSELLO 2008/04/30	DESCRIPTION REV	QUALITY SYMBOLS	GENERAL TOLERANCES (UNLESS SPECIFIED)	SCALE 5:1	DESIGN UNITS METRIC	FIRST ANGLE PROJECTION	REVISE ON CAD ONLY													
		$\nabla \cdot 0$ $\sphericalangle \cdot 0$	<table border="1"> <thead> <tr> <th></th> <th>mm</th> <th>INCH</th> </tr> </thead> <tbody> <tr> <td>4 PLACES</td> <td>\pm ---</td> <td>\pm ---</td> </tr> <tr> <td>3 PLACES</td> <td>\pm ---</td> <td>\pm ---</td> </tr> <tr> <td>2 PLACES</td> <td>\pm 0.13</td> <td>\pm ---</td> </tr> <tr> <td>1 PLACE</td> <td>\pm 0.25</td> <td>\pm ---</td> </tr> </tbody> </table>		mm	INCH	4 PLACES	\pm ---	\pm ---	3 PLACES	\pm ---	\pm ---	2 PLACES	\pm 0.13	\pm ---	1 PLACE	\pm 0.25	\pm ---	DIMENSION STYLE MM ONLY	TITLE 12 CKT POL. A USCAR 0.64MM RECEPTACLE FOR 98658 SERIES TERMINAL
			mm	INCH																
		4 PLACES	\pm ---	\pm ---																
3 PLACES	\pm ---	\pm ---																		
2 PLACES	\pm 0.13	\pm ---																		
1 PLACE	\pm 0.25	\pm ---																		
DRAFT WHERE APPLICABLE MUST REMAIN WITHIN DIMENSIONS	<table border="1"> <thead> <tr> <th>APPROVED BY</th> <th>DATE</th> <th>MATERIAL NO.</th> <th>DOCUMENT NO.</th> <th>SHEET NO.</th> </tr> </thead> <tbody> <tr> <td>SBARBIER</td> <td>2007/04/11</td> <td>94552-9012</td> <td>SD-94552-002</td> <td>1 OF 2</td> </tr> </tbody> </table>	APPROVED BY	DATE	MATERIAL NO.	DOCUMENT NO.	SHEET NO.	SBARBIER	2007/04/11	94552-9012	SD-94552-002	1 OF 2									
APPROVED BY	DATE	MATERIAL NO.	DOCUMENT NO.	SHEET NO.																
SBARBIER	2007/04/11	94552-9012	SD-94552-002	1 OF 2																
A1	THIS DRAWING CONTAINS INFORMATION THAT IS PROPRIETARY TO MOLEX INCORPORATED AND SHOULD NOT BE USED WITHOUT WRITTEN PERMISSION																			



CIRCUIT # MARKING
0.1mm ABOVE SURFACE

MOLEX LOGO,
CAVITY NUMBER,
MATERIAL DESIGNATION
0.1mm BELOW SURFACE



DATE INDICATOR

EC NO: Z2008-0779 DRWN: SBARBIER 2008/04/11 CHKD: LSANTESSO 2008/04/22 APPR: FBISELLO 2008/04/30	QUALITY SYMBOLS	GENERAL TOLERANCES (UNLESS SPECIFIED)	SCALE 5:1	DESIGN UNITS METRIC	FIRST ANGLE PROJECTION	REVISE ON CAD ONLY
	▽ 0	4 PLACES ± --- ± ---	mm INCH	DIMENSION STYLE MM ONLY	TITLE	
	▽ 1	3 PLACES ± --- ± ---		DRAWN BY SBARBIER DATE 2007/04/11	12 CKT POL. A USCAR 0.64MM RECEPTACLE FOR 98658 SERIES TERMINAL	
		2 PLACES ± 0.13 ± ---		CHECKED BY LSANTESSO DATE 2007/04/11	MATERIAL NO. SD-94552-002	
	1 PLACE ± 0.25 ± ---	ANGULAR ± 3°		APPROVED BY FBISELLO DATE 2007/04/11	DOCUMENT NO. SD-94552-002	SHEET NO. 2 OF 2
		DRAFT WHERE APPLICABLE		THIS DRAWING CONTAINS INFORMATION THAT IS PROPRIETARY TO MOLEX INCORPORATED AND SHOULD NOT BE USED WITHOUT WRITTEN PERMISSION		
		MUST REMAIN WITHIN DIMENSIONS				A2