

Specifications

Voltage Rating: 150V AC
 Current Rating: 1.5A
 Operating Temperature Range: -40°C to +105°C
 Withstanding Voltage: 500V for 1 minute

Materials and Finish

Housing: High temp plastic, UL 94V-0 listed
 Terminals: Phosphor Bronze
 Contact Plating: Gold plated



Part Number (Details)

ZJ1 - * - ** - G 1

Series No.

O = Open Top
 C = Closed Top

Height of Insulator:
 35 = 3.48 mm
 50 = 4.95 mm

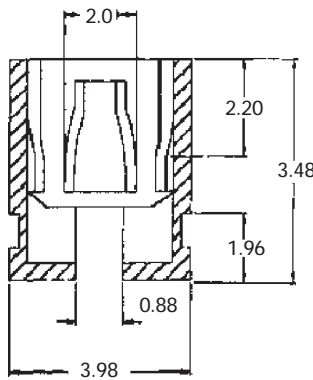
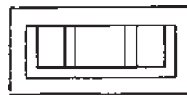
Plating:
 G = Gold

*Color:
 1 = Black (Standard)
 2 = Red 3 = Yellow 4 = Green
 5 = Blue 7 = White

*INFO: All colored mini-jumpers have a min. order quantity of 45,000 pcs (black has no min. quantity)

Outline Dimensions for Open Top

Height of insulator: 3.48 mm



Outline Dimensions for Closed Top

Height of insulator: 4.95 mm

