



Advanced Microstepping Motion Control Chipset

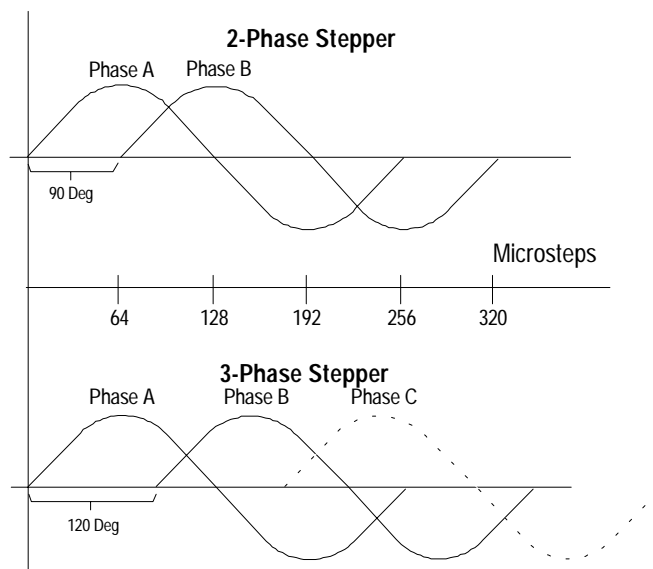
MC1241A
MC1141A

Features

- Internal generation of microstepping signals
- 2-phase as well as 3-phase stepper motors
- 64 microsteps per full step
- S-curve, trapezoidal, and velocity profile trajectory modes
- Incremental encoder feedback
- On-the-fly motor stall detection
- Software & feature compatible with other versions of PMD's chipset family
- Available in 1 or 2 axis configurations
- 32-bit position, velocity, acceleration and jerk trajectory profile registers
- Electronic Gearing
- Two travel-limit switches per axis
- Choice of PWM or DAC motor output signals
- Chipset Developer's Kit Available



Microstepping Waveforms



General Description

The MC1241A is a dedicated motion processor which functions as a complete chip-based stepper motor controller. Packaged in a 2-IC chipset, this device performs trajectory profile generation and microstepping signal generation. The chipset outputs PWM or DAC-compatible motor command signals which directly drive the windings of the stepping motor, eliminating the need for external microstepping circuitry. The MC1241A also provides the ability to input incremental encoder signals. It is available in a one, or a two-axis configuration.

The MC1241A is functionally similar to other members of PMD's 1st Generation Motion Processor Family however it adds the ability to perform microstepping signal generation. All of these devices provide sophisticated trajectory generation allowing the creation of complex motion sequences.

Both two and three-phase stepping motors are supported by the MC1241A. An internal ROM-based lookup table is used to generate the microstepping waveforms. The motor power level can be controlled with a resolution of 16 bits. Changes to the motor power level can be coordinated with other profile changes to optimize motor heat dissipation under different load and acceleration conditions.

The chipset is controlled by a host processor which interfaces with the chipset via an 8-bit, bi-directional port. Communications to/from the chipset consist of packet-oriented messages.

The chipset is packaged in 2 68-pin PLCC packages. Both chips utilize CMOS technology and are powered by 5 volts.

Doc. Rev. 11.03, Nov 1997

Table of Contents

Product Family Overview.....	Page 3	Host Interrupts.....	Page 28
Introduction.....	Page 3	Encoder Position Feedback	Page 29
Family Summary.....	Page 3	High Speed Position Capture	Page 29
Electrical Characteristics.....	Page 4	Position Capture ReadBack	Page 29
Absolute Maximum Ratings	Page 4	Stall Detection	Page 29
Operating Ratings.....	Page 4	Position Error	Page 30
DC Electrical Characteristics	Page 5	Recovering From A Motion Error	Page 30
AC Electrical Characteristics	Page 5	Microstepping.....	Page 30
I/O Timing Diagrams.....	Page 7	Microstepping Waveforms.....	Page 31
Pinouts	Page 12	Motor Command Control.....	Page 31
MC1241A, MC1141A Pinouts.....	Page 12	AC Induction Motor Control.....	Page 31
Pin Descriptions.....	Page 13	Command Summary	Page 32
Theory of Operations	Page 17	Motor Output	Page 32
Operational Parameters	Page 18	Motor Output Signal Interpretation.....	Page 32
Trajectory Profile Generation.....	Page 18	DAC16 Decoding.....	Page 32
S-curve Point to Point.....	Page 19	PWM Decoding	Page 32
Trapezoidal Point to Point.....	Page 20	Motor Drive Configurations	Page 33
Velocity Contouring.....	Page 20	3-Phase Drive Configuration	Page 33
Electronic Gear	Page 21	Host Commands	Page 34
Trajectory Control	Page 21	Command Summary	Page 34
Halting The Trajectory	Page 21	Command Reference	Page 36
Motion Complete Status	Page 22	Axis Control.....	Page 36
Parameter Loading & Updating	Page 22	Profile Generation	Page 37
Manual Update	Page 22	Parameter Update.....	Page 41
Breakpoints.....	Page 23	Interrupt Processing	Page 43
Disabling Automatic Profile Update	Page 23	Status/Mode	Page 44
Travel Limit Switches.....	Page 23	Motor Control	Page 45
Axis Timing.....	Page 24	Encoder.....	Page 46
Host Communications	Page 25	Miscellaneous	Page 48
Electrical Interface	Page 25	Microstepping.....	Page 49
Packet Format	Page 25	Application Notes	Page 52
Packet Checksum.....	Page 26	Interfacing MC1241A to ISA bus.....	Page 52
Illegal Commands.....	Page 26	PWM Motor Interface	Page 54
Command Errors	Page 26	16-Bit Serial DAC Motor interface	Page 56
Axis Addressing.....	Page 27		
Axis Status.....	Page 27		
Status Word.....	Page 27		
Miscellaneous Mode Status Word	Page 27		

Performance Motion Devices, Inc. does not assume any responsibility for use of any circuitry described in this manual, nor does it make any guarantee as to the accuracy of this manual. Performance Motion Devices, Inc. reserves the right to change the circuitry described in this manual, or the manual itself, at any time.

The components described in this manual are not authorized for use in life-support systems without the express written permission of Performance Motion Devices, Inc..

Product Family Overview

	<i>MC1401 series</i>	<i>MC1231 series</i>	<i>MC1241 series</i>	<i>MC1451 series</i>
<i># of axes</i>	4, 2, or 1	2 or 1	2 or 1	4, 2, or 1
<i>Motors Supported</i>	DC Servo	Brushless Servo	Stepper	Stepper
<i>Encoder Format</i>	Incremental (no dash version) and Parallel ('-P' version)	Incremental	Incremental	Incremental (-E version)
<i>Output Format</i>	DC servo	Sinusoidally commutated	Microstepping	Pulse and Direction
<i>S-curve profiling</i>	Yes	Yes	Yes	Yes
<i>Electronic gearing</i>	Yes	Yes	Yes	Yes
<i>On-the-fly changes</i>	Yes	Yes	Yes	Yes
<i>Limit switches</i>	Yes	Yes	Yes	Yes
<i>PID & feedforward</i>	Yes	Yes	-	-
<i>PWM output</i>	Yes	Yes	Yes	-
<i>DAC-compatible output</i>	Yes	Yes	Yes	-
<i>Pulse & direction output</i>	-	-	-	Yes
<i>Index & Home signal</i>	Yes	Yes	Yes	Yes (-E version)
<i>Chipset p/n's</i>	MC1401A, MC1401A-P (4 axes) MC1201A, MC1201A-P (2 axes) MC1101A, MC1101A-P (1 axis)	MC1231A (2 axes) MC1131A (1 axis)	MC1241A (2 axes) MC1141A (1 axis)	MC1451A, MC1451A-E (4 axes) MC1251A, MC1251A-E (2 axes) MC1151A, MC1151A-E (1 axis)
<i>Developer's Kit p/n's:</i>	DK1401A, DK1401A-P	DK1231A	DK1241A	DK1451A

Introduction

This manual describes the operational characteristics of the MC1241A and MC1141A Motion Processors. These devices are members of PMD's 1st generation motion processor family, which consists of 16 separate products organized into four groups.

Each of these devices are complete chip-based motion controllers. They provide trajectory generation and related motion control functions. Depending on the type of motor controlled they provide servo loop closure, on-board commutation for brushless motors, and high speed pulse and direction outputs. Together these products provide a software-compatible family of dedicated motion processor chips which can handle a large variety of system configurations.

Each of these chips utilize a similar architecture, consisting of a high-speed DSP (Digital Signal Processor) computation unit , along with an ASIC (Application Specific Integrated Circuit). The computation unit contains special on-board hardware such as a multiply instruction that makes it well suited for the task of motion control.

Along with a similar hardware architecture these chips also share most software commands, so that software written for one chipset may be re-used with another, even though the type of motor may be different.

This manual describes the operation of the MC1241A and MC1141A chipsets. For technical details on other members of PMD's 1st generation motion processors see the corresponding product manual.

Family Summary

MC1401 series (MC1401A, MC1201A, MC1101A, MC1401A-P, MC1201A-P, MC1101A-P) - These chipsets take in incremental encoder signals (standard version) or parallel word encoder signals (-P version) and output a motor command in either PWM or DAC-compatible format. These chipsets come in 1, 2 or 4 axis versions and can be used with DC brushed motors, or brushless motors using external commutation.

MC1231 series (MC1231A, MC1131A) - These chipsets take in incremental quadrature encoder signals and output sinusoidally commutated motor signals appropriate for driving brushless motors. They are available in one or two axis versions. Depending on the motor type they output two or three phased signals per axis in either PWM or DAC-compatible format.

MC1241 series (MC1241A, MC1141A) - These chipsets provide internal microstepping generation for stepping motors. They are available in a one or a two-axis version. Two phased signals are output per axis in either PWM or DAC-compatible format. An incremental encoder signal can be input to confirm motor position.

MC1451 series (MC1451A, MC1251A, MC1151A, MC1451A-E, MC1251A-E, MC1151A-E) - These chipsets provide very high speed pulse and direction signal output appropriate for driving step motor-based systems. They are available in a one, two, or four-axis version and are also available with quadrature encoder input.

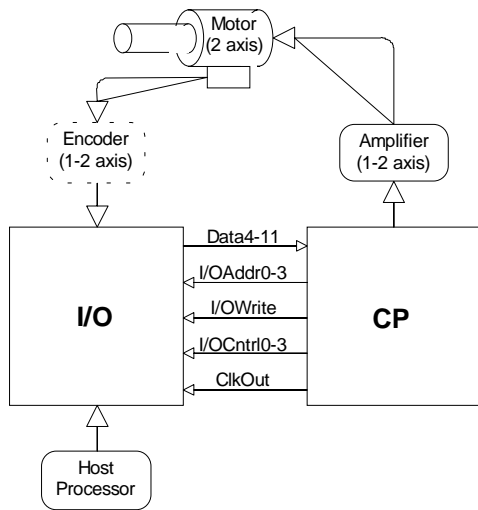
Each of these chipsets has an associated Chipset Developer's Kit available for it. For more information contact your PMD representative.

Electrical Characteristics

Overview

The MC1241A consists of two 68 pin PLCC's both fabricated in CMOS. The Peripheral Input/Output IC (I/O chip) is responsible for interfacing to the host processor and to the position input encoders. The Command Processor IC (CP chip) is responsible for all host command, trajectory, and microstep computations, as well as for outputting the PWM and DAC signals.

The following figure shows a typical system block diagram, along with the pin connections between the I/O chip and the CP chip.



The CP and I/O chips function together as one integrated motion processor. The major components connected to the chip set are the optional encoder (2, or 1 axes), the motor amplifier (2, or 1 axes), and the host processor.

The encoder signals are input to the I/O chip in quadrature format. Two signals encode the position, and an optional index signal contains a once-per-rotation locating signal.

The chipset's motor output signals are connected to the motor amplifier. Two types of output are provided: PWM (pulse width modulation), and DAC-compatible signals used with an external DAC (digital to analog converter). In addition 2-phase as well as 3-phase stepping motors are supported. Because the output signals are in microstepping format, two phased signals are provided per axis, with the relative phasing of the two signals depending on the motor type (2-phase or 3-phase).

The host processor is interfaced via an 8-bit bi-directional bus and various control signals. Host communication is coordinated by a ready/busy signal, which indicates when communication is allowed.

Interconnections between the two chips consist of a data bus and various control and synchronization signals. The following table summarizes the signals that must be interconnected for the chipset to function properly. For each listed signal the I/O chip pin on the left side of the table is directly connected to the pin to the right.

I/O Chip Signal Name	I/O Chip Pin	CP Chip Signal Name	CP Chip Pin
CPData4	18	Data4	50
CPData5	5	Data5	49
CPData6	6	Data6	46
CPData7	7	Data7	43
CPData8	8	Data8	40
CPData9	17	Data8	39
CPData10	3	Data10	36
CPData11	1	Data11	35
CPAddr0	68	I/OAddr0	28
CPAddr1	27	I/OAddr1	9
CPAddr2	29	I/OAddr2	6
CPAddr3	12	I/OAddr3	5
CPCntr0	20	I/OCntr0	16
CPCntr1	36	I/OCntr1	18
CPCntr2	22	I/OCntr2	68
CPCntr3	63	I/OCntr3	67
CPWrite	2	I/OWrite	15
CPClk	46	ClkOut	19

For a complete description of all pins see the 'Pin Descriptions' section of this manual.

Absolute Maximum Ratings

Unless otherwise stated, all electrical specifications are for both the I/O and CP chips.

Storage Temperature, Ts-55 deg. C to +150 deg. C
Supply Voltage, Vcc-0.3 V to +7.0 V
Power Dissipation, Pd650 mW (I/O and CP combined)

Operating Ratings

Operating Temperature, Ta0 deg. C to +70 deg. C*
Nominal Clock Frequency, Fclk25.0 Mhz
Supply Voltage, Vcc4.75 V to 5.25 V

* Industrial and Military operating ranges also available. Contact your PMD representative for more information

DC Electrical Characteristics

(V_{cc} and T_a per operating ratings, F_{clk} = 25.0 Mhz)

Symbol	Parameter	Min.	Max.	Units	Conditions
V _{cc}	Supply Voltage	4.75	5.25	V	
I _{dd}	Supply Current		100	mA	open outputs
Input Voltages					
V _{ih}	Logic 1 input voltage	2.0	V _{cc} + 0.3	V	
V _{il}	Logic 0 input voltage	-0.3	0.8	V	
V _{ihclk}	Logic 1 voltage for clock pin (ClkIn)	3.0	V _{cc} +0.3	V	
V _{ihreset}	Logic 1 voltage for reset pin (reset)	4.0	V _{cc} +0.3	V	
Output Voltages					
V _{oh}	Logic 1 Output Voltage	2.4		V	@CP I _o = 300 uA @I/O I _o = 4 mA
V _{ol}	Logic 0 Output Voltage		0.33	V	@CP I _o = 2 mA @I/O I _o = 4 mA
I _{out}	Tri-State output leakage current	-20	20	uA	0 < V _{out} < V _{cc}
I _{in}	Input current	-50	50	uA	0 < V _i < V _{cc}
I _{inclk}	Input current ClkIn	-20	20	uA	0 < V _i < V _{cc}

AC Electrical Characteristics

(see reference timing diagrams)

(V_{cc} and T_a per operating ratings; F_{clk} = 25.0 Mhz)

(~ character indicates active low signal)

Timing Interval	T#	Min.	Max.	Units
Encoder and Index Pulse Timing				
Motor-Phase Pulse Width	T1	1.6		uS
Dwell Time Per State	T2	0.8		uS
Index Pulse Setup and Hold (relative to Quad A and Quad B low)	T3	0		uS
Reset Timing				
Stable Power to Reset		0.25		Sec
Reset Low Pulse Width		1.0		uS
Clock Timing				
Clock Frequency (F _{clk})		6.7	25.6	Mhz
Clock Pulse Width	T4	19.5	75 (note 2)	nS
Clock Period	T5	39	149 (note 2)	nS

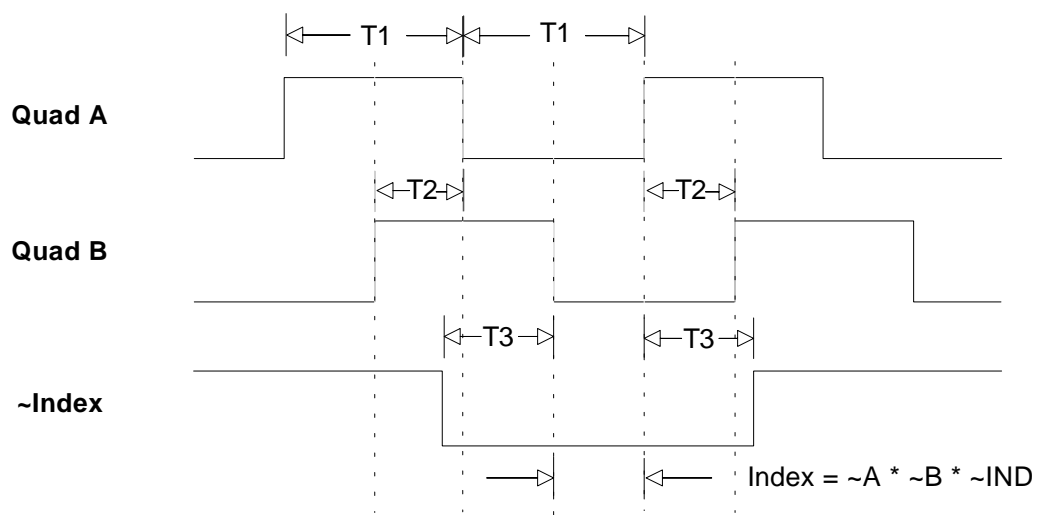
Timing Interval	T#	Min.	Max.	Units
Command Byte Write Timing				
-HostSlct Hold Time	T6	15	2000 (note 3)	nS
-HostSlct Setup Time	T7	10		nS
HostCmd Setup Time	T8	10		nS
Host Cmd Hold Time	T9	25		nS
HostRdy Delay Time	T13		70	nS
-HostWrite Pulse Width	T14	50		nS
Write Data Setup Time	T15	35		nS
Write Data Hold Time	T16	30		nS
Data Word Read Timing				
-HostSlct Hold Time	T6	15	2000 (note 3)	nS
-HostSlct Setup Time	T7 (read only)	- 20		nS
HostCmd Setup Time	T8 (read only)	- 20		nS
HostCmd Hold Time	T9	25		nS
Read Data Access Time	T10		50	nS
Read Data Hold Time	T11	10		nS
-HostRead high to HI-Z Time	T12		50	nS
HostRdy Delay Time	T13		70	nS
Read Recovery Time	T17	60		nS
Data Word Write Timing				
-HostSlct Hold Time	T6	15	2000 (note 3)	nS
-HostSlct Setup Time	T7	10		nS
HostCmd Setup Time	T8	10		nS
HostCmd Hold Time	T9	25		nS
HostRdy Delay Time	T13		70	nS
-HostWrite Pulse Width	T14	50		nS
Write Data Setup Time	T15	35		nS
Write Data Hold Time	T16	30		nS
Write Recovery Time	T18	60		nS
DAC Interface Timing				
I/OAddr Stable to -I/OWrite setup time	T19	35		nS
-I/OWrite Pulse Width	T20	56	95	nS
Data Hold Time After -I/OWrite	T21	17		nS
ClkOut Low to I/OAddr stable	T22	10	40	nS
ClkOut Low to -I/OWrite Low	T23	75	92	nS
ClkOut Low to Data Valid	T24		92	nS
ClkOut Cycle Time	T25		160 typical (note 4)	nS
I/OAddr Stable to DACSlct High	T26		66	nS
-I/OWrite Low to DACSlct High	T27		44.5	nS
PWM Output Timing				
PWM Output Frequency		97.6		Khz

- note 1** -HostSlct and HostCmd may optionally be de-asserted if setup and hold times are met.
- note 2** Chip-set performance figures and timing information valid at Fclk = 25.0 only. For timing information & performance parameters at Fclk < 25.0 Mhz, call PMD.
- note 3** Two micro seconds maximum to release interface before chip set responds to command
- note 4** ClkOut from CP is 1/4 frequency of ClkIn (CP chip).

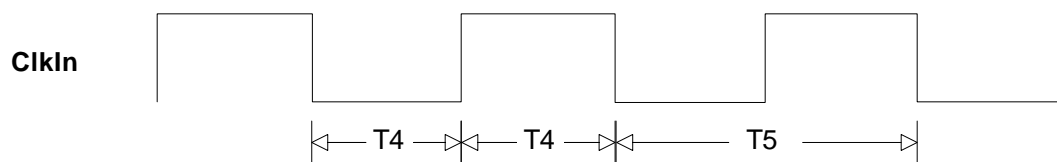
I/O Timing Diagrams

The following diagrams show the MC1241A electrical interface timing. T# values are listed in the above timing chart.

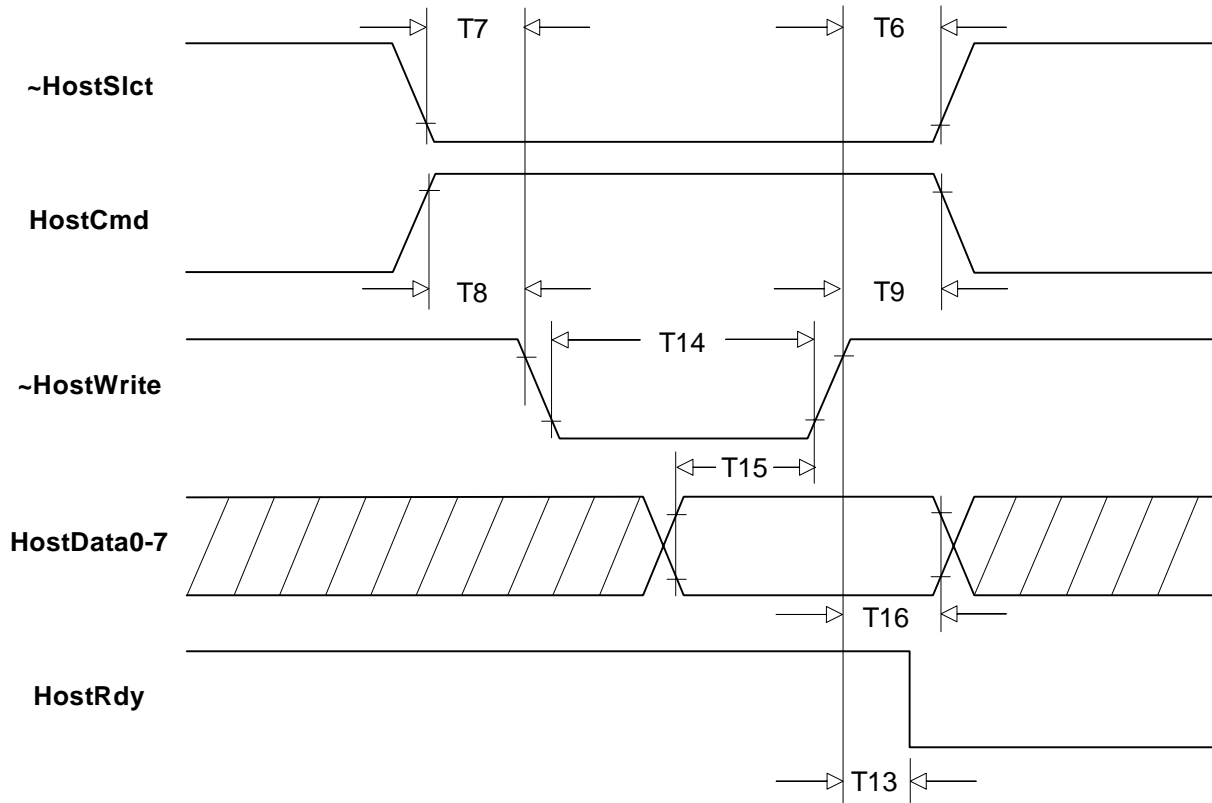
Quadrature Encoder Input Timing



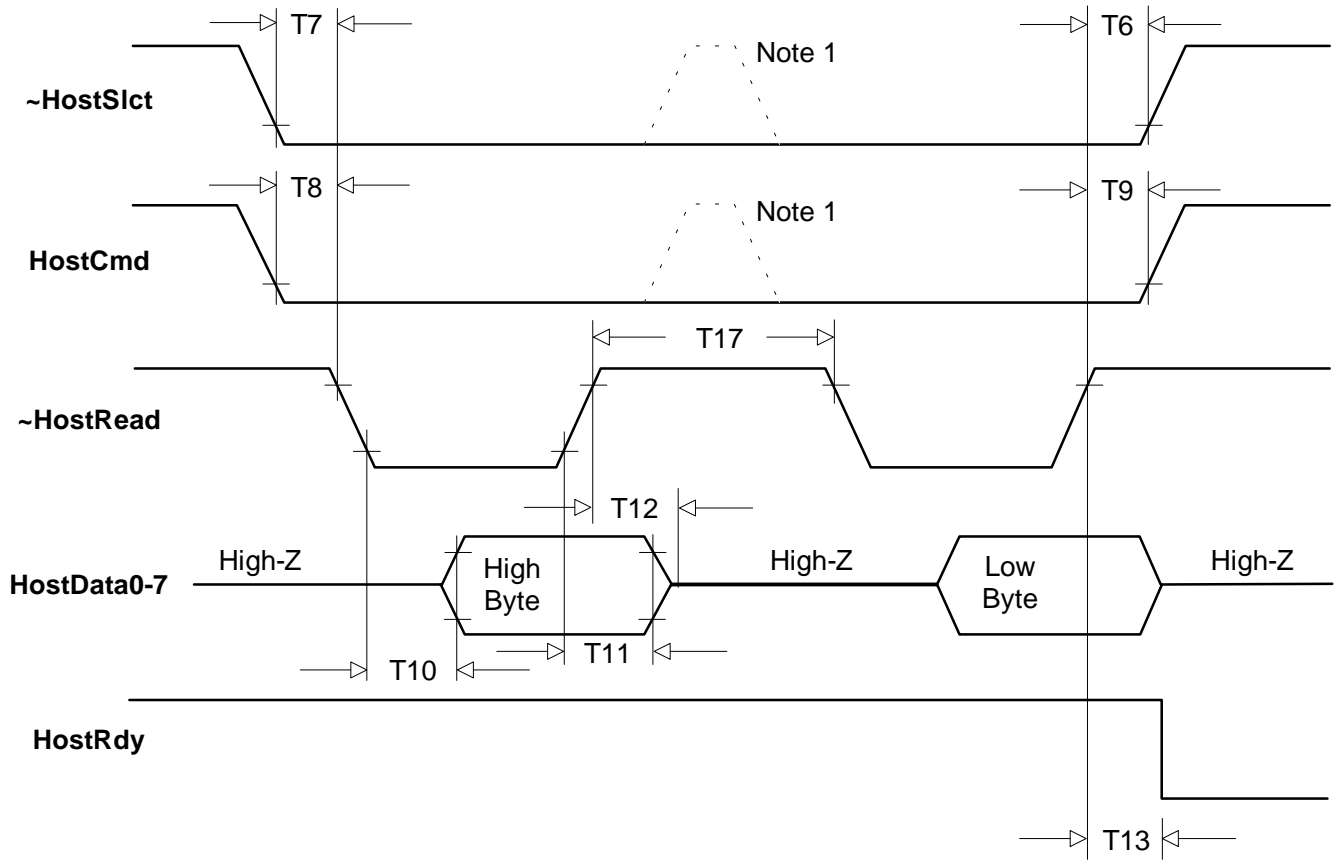
Clock Timing



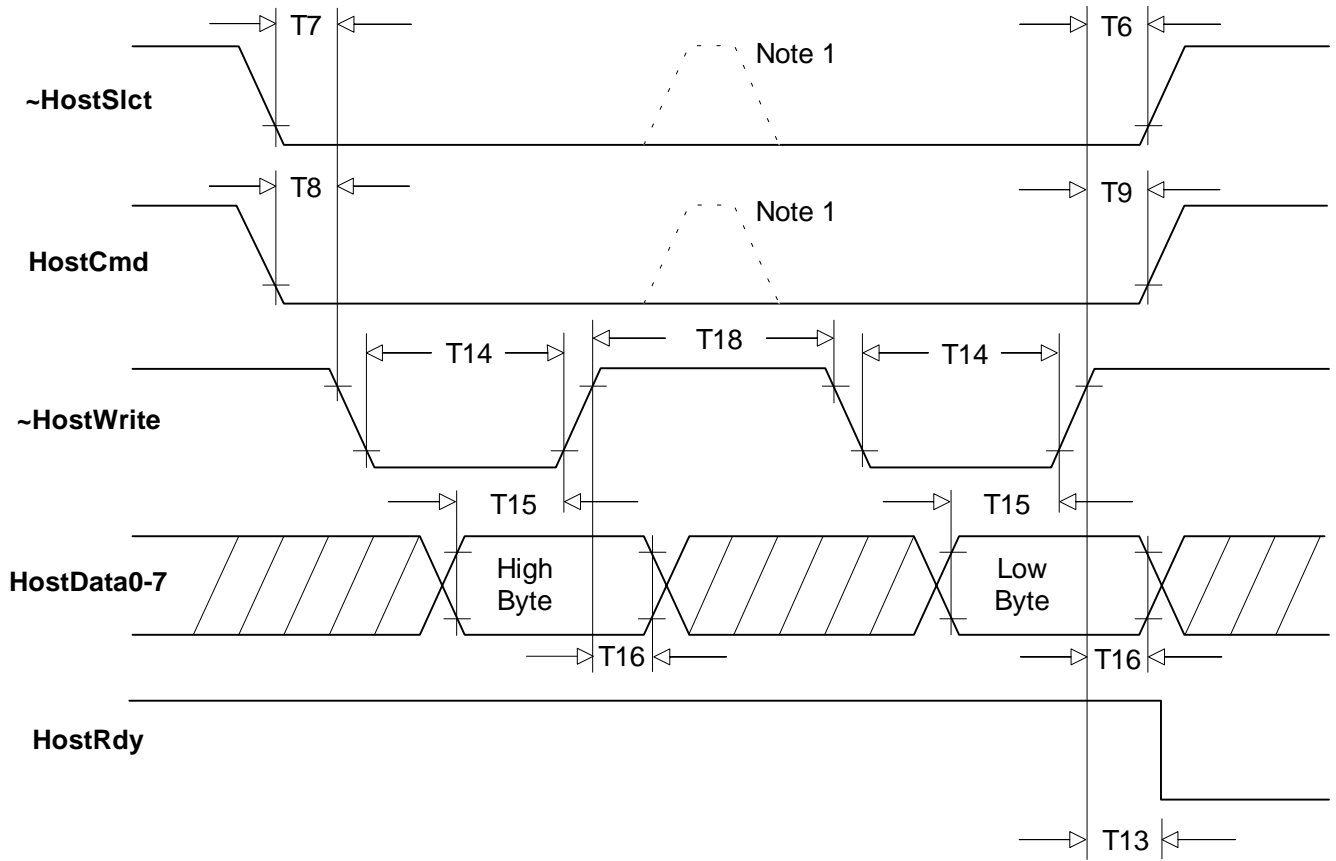
Command Byte Write Timing



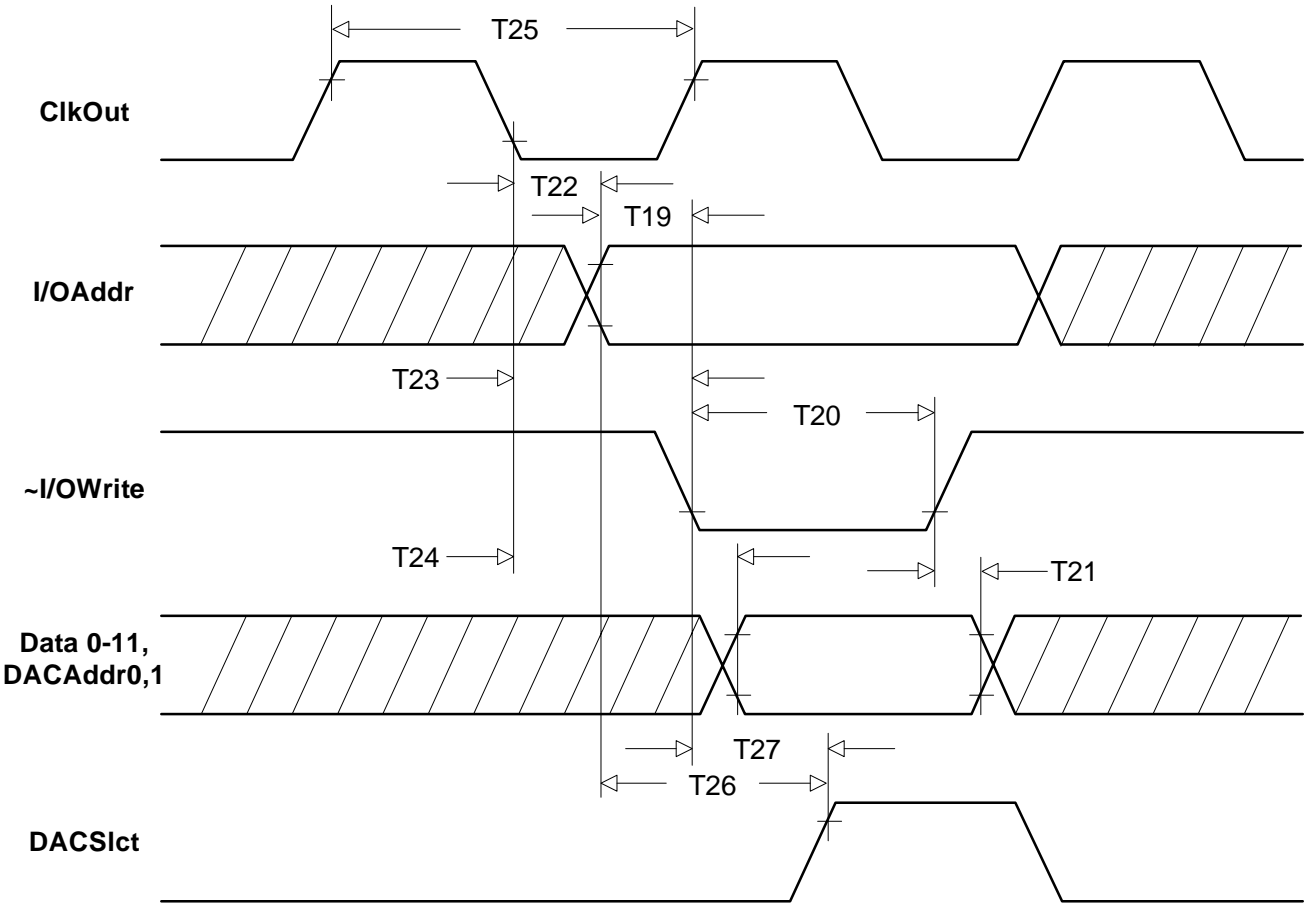
Data Word Read Timing



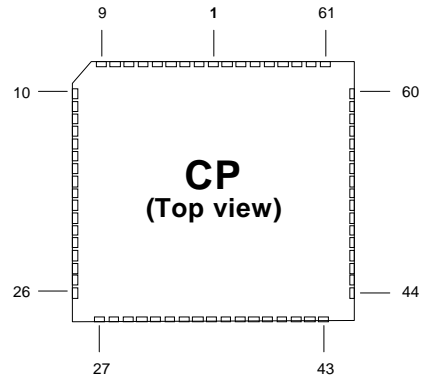
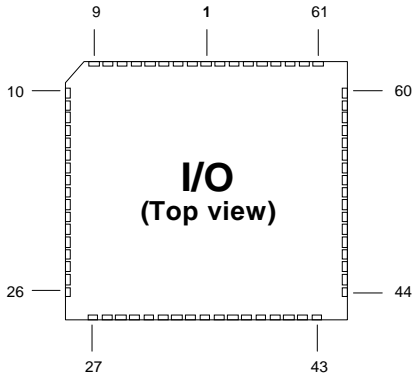
Data Word Write Timing



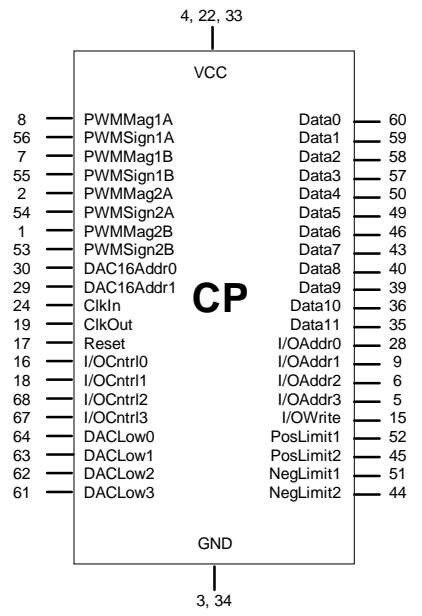
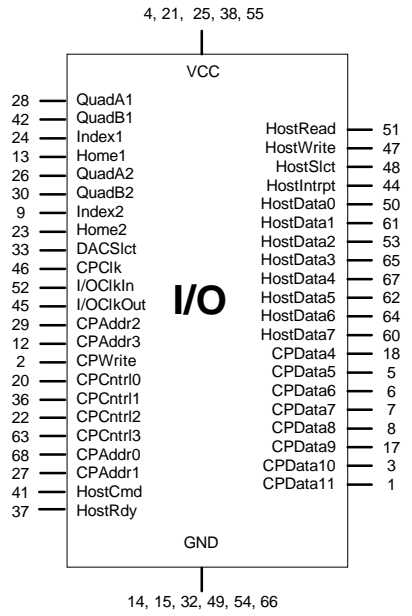
DAC Interface Timing



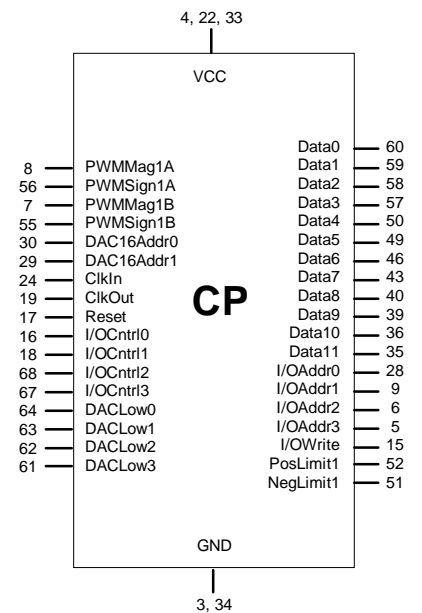
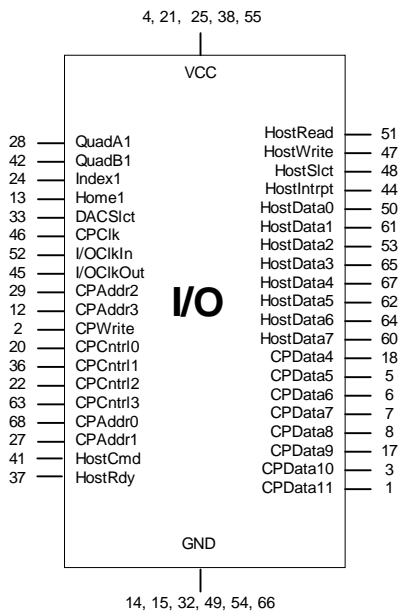
Pinouts



MC1241A Pinouts



MC1141A Pinouts



Pin Descriptions

The following tables provide pin descriptions for the MC1241A-series chipsets.

IC	Pin Name	Pin #	Description/Functionality
I/O Chip Pinouts			
I/O	QuadA1 QuadB1 QuadA2 QuadB2	28 42 26 30	<p>Quadrature A, B channels for axis 1 - 2 (input). Each of these 2 pairs of quadrature (A, B) signals provide the position feedback for an incremental encoder. When the encoder is moving in the positive, or forward direction, the A signal leads the B signal by 90 degs.</p> <p>NOTE: Many encoders require a pull-up resistor on each of these signals to establish a proper high signal (check the encoder electrical specifications)</p> <p>NOTE: For MC1241A all 4 pins are valid. For MC1141A pins for axes 1 only are valid. Invalid axis pins can be left unconnected</p> <p>NOTE: These signals are not required for normal operation, but may be used if desired to confirm motor position.</p>
I/O	-Index1 -Index2	24 9	<p>Index encoder signals for axis 1-2 (input). Each of these 2 signals indicate the index flag state from the encoder. A valid index pulse is recognized by the chip set when the index flag transitions low, followed by the corresponding A and B channels of the encoder transitioning low. The index pulse is recognized at the later of the A or B transitions. If not used this signal must be tied high.</p> <p>NOTE: For MC1241A both pins are valid. For MC1141A pins for axes 1 only are valid. Invalid axis pins can be left unconnected.</p> <p>NOTE: These signals are not required for normal operation, but may be used if desired to confirm motor position.</p>
I/O	-Home1 -Home2	13 23	<p>Home signals for axis 1-2 (input). Each of these signals provide a general purpose input to the hardware position capture mechanism. A valid home signal is recognized by the chipset when the home flag transitions low. These signals have a similar function as the -Index signals, but are not gated by the A and B encoder channels. For valid axis pins, if not used, this signal must be tied high. See below for valid pin definitions for the MC1241A and MC1141A.</p> <p>NOTE: For MC1241A both pins are valid. For MC1141A pins for axes 1 only are valid. Invalid axis pins can be left unconnected.</p> <p>NOTE: These signals are not required for normal operation, but may be used if desired to confirm motor position.</p>
I/O	DACSlt	33	<p>DAC Select (output). This signal is asserted high to select any of the available DAC output channels. For details on DAC decoding see description of DAC16Addr0-1 signals.</p>
I/O	CPClk	46	<p>I/O chip clock (input). This signal is connected directly to the ClkOut pin (CP chip) and provides the clock signal for the I/O chip. The frequency of this signal is 1/4 the user-provided ClkIn (CP chip) frequency.</p>
I/O	I/OClkIn	52	<p>Phase shifted clock (input). This signal must be connected to I/OClkOut (I/O chip), and inputs a phase shifted clock signal.</p>
I/O	I/OClkOut	45	<p>Phase shifted clock (output). This signal must be connected to I/OClkIn (I/O chip), and outputs a phase shifted clock signal.</p>
I/O	CPAddr0 CPAddr1 CPAddr2 CPAddr3	68 27 29 12	<p>I/O chip to CP chip communication address (input). These 4 signals are connected to the corresponding I/OAddr0-3 pins (CP chip), and together provide addressing signals to facilitate CP to I/O chip communication.</p>

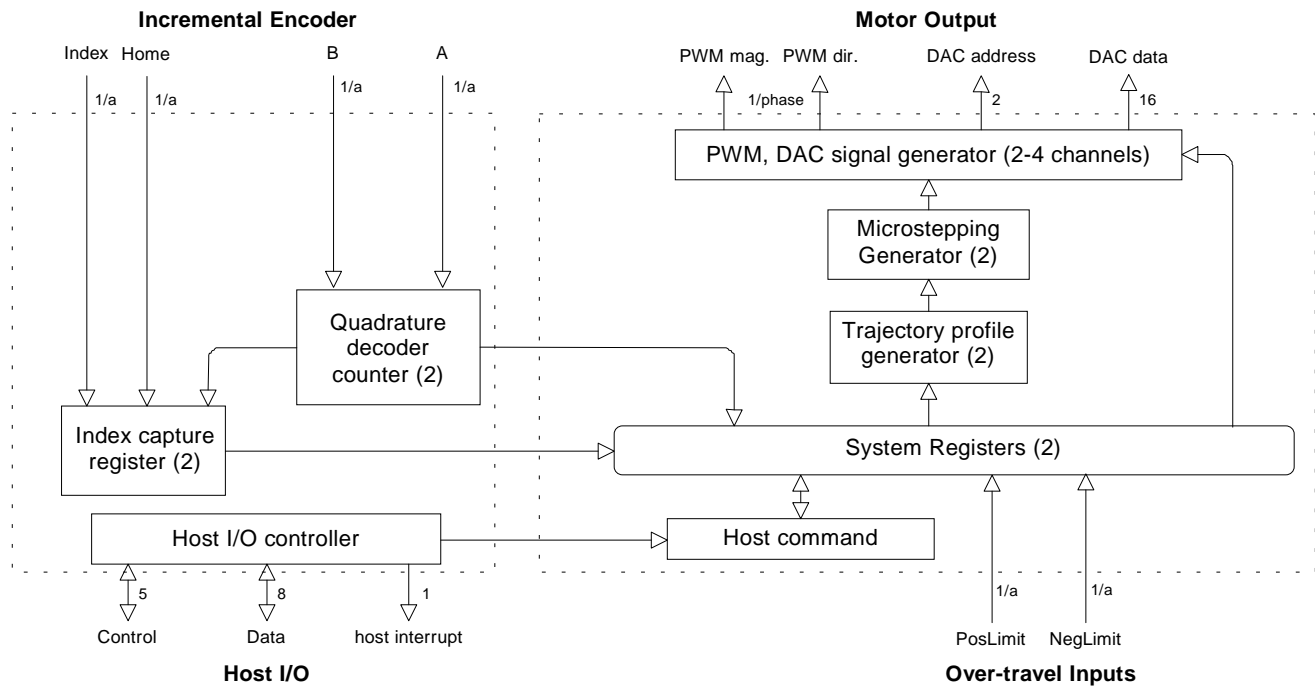
IC	Pin Name	Pin #	Description/Functionality
I/O	~CPWrite	2	I/O chip to CP chip communication write (input). This signal is connected to the ~I/OWrite pin (CP chip) and provides a write strobe to facilitate CP to I/O chip communication.
I/O	CPCntrl0 CPCntrl1 CPCntrl2 CPCntrl3	20 36 22 63	I/O chip to CP chip communication control (mixed). These 4 signals are connected to the corresponding I/Ocntrl0-3 pins (CP chip), and provide control signals to facilitate CP to I/O chip communication.
I/O	HostCmd	41	Host Port Command (input). This signal is asserted high to write a host command to the chip set. It is asserted low to read or write a host data word to the chipset
I/O	HostRdy	37	Host Port Ready/Busy (output). This signal is used to synchronize communication between the DSP and the host. HostRdy will go low (indicating host port busy) at the end of a host command write or after the second byte of a data write or read. HostRdy will go high (indicating host port ready) when the command or data word has been processed and the chip set is ready for more I/O operations. All host port communications must be made with HostRdy high (indicating ready). Typical busy to ready cycle is 67.5 uSec, although it can be longer when host port traffic is high.
I/O	~HostRead	51	Host Port Read data (input). Used to indicate that a data word is being read from the chip set (low asserts read).
I/O	~HostWrite	47	Host Port Write data (input). Used to indicate that a data word or command is being written to the chip set (low asserts write).
I/O	~HostSlct	48	Host Port Select (input). Used to select the host port for reading or writing operations (low assertion selects port). ~HostSlct must remain inactive (high) when the host port is not in use.
I/O	~HostIntrpt	44	Host Interrupt (output). A low assertion on this pin indicates that a host interrupt condition exists that may require special host action.
I/O	HostData0 HostData1 HostData2 HostData3 HostData4 HostData5 HostData6 HostData7	50 61 53 65 67 62 64 60	Host Port Data 0-7 (bi-directional, tri-stated). These signals form the 8 bit host data port used during communication to/from the chip set. This port is controlled by ~HostSlct, ~HostWrite, ~HostRead and HostCmd.
I/O	CPData4 CPData5 CPData6 CPData7 CPData8 CPData9 CPData10 CPData11	18 5 6 7 8 17 3 1	I/O chip to CP chip data port (bi-directional). These 8 bits are connected to the corresponding Data4-11 pins on the CP chip, and facilitate communication to/from the I/O and CP chips..
I/O	Vcc	4, 21, 25, 38, 55	I/O chip supply voltage pin. All of these pins must be connected to the supply voltage. Supply voltage = 4.75 to 5.25 V
I/O	GND	14, 15, 32, 49, 54, 66	I/O chip ground pin. All of these pins must be connected to the power supply return.

IC	Pin Name	Pin #	Description/Functionality															
CP Chip Pinouts																		
CP	PWMMag1A PWMMag1B PWMMag2A PWMMag2B	8 7 2 1	<p>PWM motor output magnitude signals (output). When the chip set is in PWM output mode these pins provide the Pulse Width Modulated magnitude signal to the motor amplifier. Two phases of command signal are output per motor axis, indicated phase A and phase B, with the axis number indicated 1 or 2.</p> <p>NOTE: For MC1241A all four pins are valid. For MC1141A pins for axes 1 only are valid. Invalid axis pins can be left unconnected.</p> <p>The PWM resolution is 10 bits, frequency = 97.6 kHz.</p>															
CP	PWMSign1A PWMSign1B PWMSign2A PWMSign2B	56 55 54 53	<p>PWM motor output direction signals (output). When the chip set is in PWM output mode these pins provide the sign signal to the motor amplifier. Two phases of command signals are output per motor axis, indicated phase A and phase B, with the axis number indicated 1 or 2.</p> <p>NOTE: For MC1241A all four pins are valid. For MC1141A pins for axes 1 only are valid. Invalid axis pins can be left unconnected.</p>															
CP	PosLimit1 PosLimit2	52 45	<p>Positive limit switch input for axis 1-2. These signals provide directional limit inputs for the positive-side travel limit of the axis. Upon powerup these signals default to "active high" interpretation, but the interpretation can be set explicitly using the SET_LMT_SENSE command. (See Host Command Section for more info.) If not used these signals should be tied low for the default interpretation, or tied high if the interpretation is reversed.</p> <p>NOTE: For MC1241A both pins are valid. For MC1141A pins for axes 1 only are valid. Invalid axis pins can be left un connected.</p>															
CP	NegLimit1 NegLimit2	51 44	<p>Negative limit switch input for axis 1-2. These signals provide directional limit inputs for the negative-side travel limit of the axis. Upon powerup these signals default to "active high" interpretation, but the interpretation can be set explicitly using the SET_LMT_SENSE command. (See Host Command Section for more info.) If not used these signals should be tied low for the default interpretation, or tied high if the interpretation is reversed.</p> <p>NOTE: For MC1241A both pins are valid. For 1141 pins for axis 1 only are valid. Invalid axis pins can be left un connected.</p>															
CP	DAC16Addr0 DAC16Addr1	30 29	<p>Axis Address used during 16-bit DAC motor command output. These signals encode the motor output axis address as shown in the table below:</p> <table border="1"> <thead> <tr> <th>Dac16Addr1</th> <th>Dac16Addr0</th> <th>Addressed Encoder</th> </tr> </thead> <tbody> <tr> <td>Low</td> <td>Low</td> <td>Axis 1 phase A</td> </tr> <tr> <td>Low</td> <td>High</td> <td>Axis 1 phase B</td> </tr> <tr> <td>High</td> <td>Low</td> <td>Axis 2 phase A</td> </tr> <tr> <td>High</td> <td>High</td> <td>Axis 2 phase B</td> </tr> </tbody> </table> <p>To write a valid DAC motor command value DACSlct (I/O chip) and I/OAddr0-3 (CP chip) must be high, and I/OWrite (CP chip) must be low. The 16 bit DAC data word is organized as follows: High twelve bits are in Data0-11 (CP chip), and low 4 bits are in DACLow0-3 (CP chip).</p>	Dac16Addr1	Dac16Addr0	Addressed Encoder	Low	Low	Axis 1 phase A	Low	High	Axis 1 phase B	High	Low	Axis 2 phase A	High	High	Axis 2 phase B
Dac16Addr1	Dac16Addr0	Addressed Encoder																
Low	Low	Axis 1 phase A																
Low	High	Axis 1 phase B																
High	Low	Axis 2 phase A																
High	High	Axis 2 phase B																
CP	CkIn	24	<p>Clock In (input). This pin provides the chip set master clock (Fclk = 25.0 Mhz)</p>															

IC	Pin Name	Pin #	Description/Functionality
CP	ClkOut	19	Clock Out (output). This pin provides a clock output which is 1/4 the ClkIn frequency. This pin is connected to I/OClkin (I/O chip).
CP	~Reset	17	Master chip set reset (input). When brought low, this pin resets the chip set to its initial condition. Reset should occur no less than 250 mSec after stable power has been provided to the chip set.
CP	I/OCtrl0 I/OCtrl1 I/OCtrl2 I/OCtrl3	16 18 68 67	I/O chip to CP chip communication control (mixed). These signals are connected to the corresponding CPCntrl0-3 pins on the I/O chip, and provide control signals to facilitate CP to I/O communication.
CP	Data0 Data1 Data2 Data3 Data4 Data5 Data6 Data7 Data8 Data9 Data10 Data11	60 59 58 57 50 49 46 43 40 39 36 35	Multi-purpose Data0-11. (Bi-directional). These pins have 2 functions: 1) Pins Data4-11 (8 bits total) are connected to the corresponding CPData4-11 pins on the I/O chip, and are used to communicate between the CP and I/O chips 2) Pins Data0-11 hold the high 12 bits of the DAC output value when the output mode is set to 16-bit DAC.
CP	DACLow0 DACLow1 DACLow2 DACLow3	64 63 62 61	DACLow0-3 (output). These pins hold the lowest 4 bits of the 16 bit DAC output word when the output mode is set to 16 bit DAC. These pins, in conjunction with Data0-11 (providing the high 12 bits) make up the 16-bit DAC output word.
CP	I/OAddr0 I/OAddr1 I/OAddr2 I/OAddr3	28 9 6 5	Multi-purpose Address0-3 (output). These pins are connected to the corresponding CPAddr0-3 pins on the I/O chip. They have 2 functions; They provide addressing signals to facilitate communication between the I/O chip and CP chip, and they are used during DAC data decoding. To read a valid DAC value from Data0-Data11 (CP chip), DACSlct (I/O chip) and I/OAddr0-3 (CP chip) must all be high, and I/OWrite (CP chip) must be low.
CP	I/OWrite	15	Multi-purpose write (output). This pin is connected to CPWrite on the I/O chip. It has 2 functions: 1) It provides a control signal to the I/O chip to facilitate communication between the I/O chip and CP chip. 2) It is used during DAC data decoding to read a valid DAC value from Data0-Data11 (CP chip), DACSlct (I/O chip) and I/OAddr0-3 (CP chip) must all be high, and I/OWrite (CP chip) must be low.
CP	Vcc	4, 22, 33	CP chip supply voltage pin. All of these pins must be connected to the supply voltage. Supply voltage = 4.75 to 5.25 V
CP	GND	3, 34	CP chip ground pin. All of these pins must be connected to the power supply return.

Theory of Operations

Internal Block Diagram



The above figure shows an internal block diagram for the MC1241A motion processor.

Each axis provides programmable trajectory generation including electronic gearing, trapezoidal point-to-point, and s-curve point to point moves. In addition the chipset contains an internal microstepping signal generator. The microstep generator outputs 2 phased signals per axis with 64 usteps per full step. These signals can be used to directly drive each coil of the stepper motor for smooth, microstepped motion.

The chipset calculates all trajectory information on a cycle-by-cycle basis. Each cycle results in a new desired sine-wave frequency output based on the trajectory generator mode and the specified trajectory parameters.

The sine-wave microstepping signals are output in PWM format with a separate magnitude and sign signal per phase, or as a digital word with up to 16 bits of resolution that is constructed externally into an analog signal using a DAC. In DAC mode two address bits indicate which of the two axes and two phases are being loaded by the chipset.

Encoder feedback is available for each motor axis and can be used by the host to check that the axis has achieved a desired position. Additionally, the chipset can use the encoder information to automatically detect a motor stall condition while a move is ongoing.

The following table summarizes the operational parameters of the MC1241-series chipsets.

MC1241-Series Chipset Operational Parameters

Available configurations:	2 axes with internal microstepping generation (MC1241A) 1 axes with internal microstepping generation (MC1141A)
Operating Modes:	Open loop (motor is controlled directly by trajectory generator)
Position Range:	-1,073,741,824 to 1,073,741,823 usteps
Velocity Range:	-16,384 to 16,383 usteps/cycle with a resolution of 1/65,536 usteps/cycle
Acceleration Range:	S-curve profile: - 1/2 to + 1/2 usteps/cycle ² with a resolution of 1/65,536 usteps/cycle ² . All others: -16,384 to 16,383 usteps/cycle ² with a resolution of 1/65,536 usteps/cycle ²
Jerk Range:	-1/2 to +1/2 usteps/cycle ³ , with a resolution of 1/4,294,967,296 usteps/cycle ³
Start velocity range	-32,768 to +32,767 steps/cycle with a resolution of 1/65,536 steps/cycle (used with trapezoidal and velocity profile modes only)
Trajectory Profile Generator Modes:	S-curve (host commands final position, max velocity, max acceleration, and jerk) Trapezoidal (host commands final position, max velocity, starting velocity, and acceleration) Velocity contouring (host commands max velocity, starting velocity, acceleration) Electronic Gear (Encoder position is used as position command for corresponding axis).
Electronic Gear Ratio Range:	32768:1 to 1:32768 (negative and positive direction)
Encoder Input Signals:	A, B, Index
Microstepping Waveform:	Sinusoidal
# Steps Per Full Step:	64
Microstep Lookup Rate:	15 kHz
Phasing:	90 degrees (used with 2-phase stepper motors) 120 degrees (used with 3-phase stepper motors or AC Induction motors)
# of Output Phases:	2 (all motor types)
PWM Frequency:	97.6 kHz
PWM resolution:	8 bits
Max Incremental. Encoder Rate:	1.75 Mcounts/sec
Profile Cycle Rate :	540 uSec*.
# of Limit Switch Inputs Per Axis	2 (one for each direction of travel)
Miscellaneous control lines:	Home switch input (one per axis)
# of Position Capture Sources:	2 (Index, Home signals)
Capture Trigger Latency:	160 nSec
# of Host Commands:	80

*Exact cycle time is 542.72 uSec, 540 is an approximation

Trajectory Profile Generation

The trajectory profile generator performs calculations to determine the target position, velocity and acceleration on a continuous basis. These calculations are performed taking into account the current profile mode, as well as the current profile parameters set by the host. Four trajectory profile modes are supported:

- S-curve point to point
- Trapezoidal point to point
- Velocity contouring
- Electronic Gear

The commands to select these profile modes are

SET_PRFL_S_CRV (to select the s-curve mode), SET_PRFL_TRAP (to select the trapezoidal mode) SET_PRFL_VEL (to select the velocity contouring mode) and SET_PRFL_GEAR (to select the electronic gear mod).

Throughout this manual various command mnemonics will be shown to clarify chipset usage or provide specific examples. See the Host Communications section for a description of host command nomenclature.

The profile mode may be programmed independently for each axis. For example axis #1 may be in trapezoidal point to point mode while axis #2 is in S-curve point to point.

Generally, the axis should be at rest when switching profile modes. Under certain conditions however, switching into certain profile modes "on-the-fly" is allowed. See specific profile descriptions for details.

S-curve Point to Point

The following table summarizes the host specified profile parameters for the S-curve point to point profile mode:

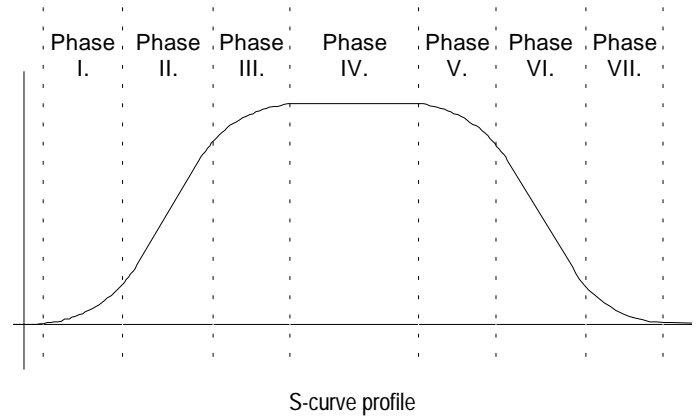
Profile Parameter	Representation & Range	Units
Destination Position	signed 32 bits -1,073,741,824 to 1,073,741,823	usteps
Maximum Velocity	unsigned 32 bits* (1/2 ¹⁶ scaling) 0 to 1,073,741,823	usteps/cycle
Max. Accel.	unsigned 16 bits ** (1/2 ¹⁶ scaling) 0 to 32,767	usteps/cycle ²
Jerk	unsigned 32 bits *** (1/2 ³² scaling) 0 to 2,147,483,647	usteps/cycle ³

* uses 1/2¹⁶ scaling. Chipset expects a 32 bit number which has been scaled by a factor of 65,536 from units of usteps/cycle. For example to specify a velocity of 2.75 usteps/cycle, 2.75 is multiplied by 65,536 and the result is sent to the chipset as a 32 bit integer (180,224 dec. or 2c000 hex.).

** uses 1/2¹⁶ scaling. Chipset expects a 16 bit number which has been scaled by a factor of 65,536 from units of usteps/cycle². For example to specify an acceleration of .175 usteps/cycle², .175 is multiplied by 65,536 and the result is sent to the chipset as a 16 bit integer (11,469 dec. or 2ccd hex).

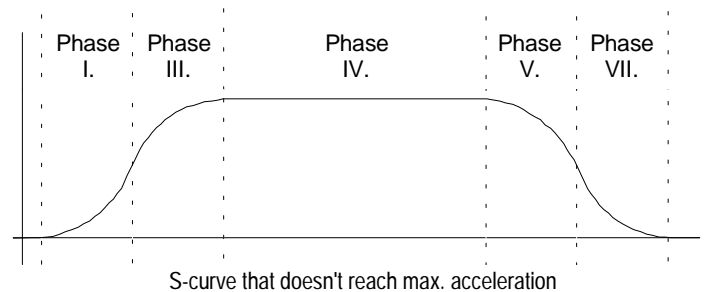
*** uses 1/2³² scaling. Chipset expects a 32 bit number which has been scaled by a factor of 4,294,967,296 (2³²) from units of usteps/cycle³. For example to specify a jerk value of .0075 usteps/cycle³, .0075 is multiplied by 4,294,967,296 and the result is sent to the chipset as a 32 bit integer (32,212,256 dec. or 1eb8520 hex).

Use the following figure showing a typical S-curve velocity vs. time graph for reference in reading the next section:



The S-curve profile drives the axis at the specified jerk until the maximum acceleration is reached. (phase I). it will then drive the axis at jerk = 0 (constant acceleration) through phase II. It will then drive the axis at the negative of the specified jerk through phase III, such that the axis reaches the specified maximum velocity with acceleration = 0. This completes the acceleration phase. At the end of the acceleration phase of the move, the velocity will be constant, and the acceleration will be 0. At the appropriate time, the profile will then decelerate (phases V, VI and VII) symmetrically to the acceleration phase such that it arrives at the destination position with acceleration and velocity = 0.

There are several conditions where the actual velocity graph of an S-curve motion will not contain all of the segments shown in the above figure. For example, if the max. acceleration is not reached before the "half-way" point to the max. velocity, then the actual velocity profile will not contain a phase II or a phase VI segment (they will have a duration of 0 cycles). Such a profile is shown below:



Another such condition is if the position is specified such that max. velocity is not reached. In this case there will be no phase IV, and there may also be no phase II and VI, depending on where the profile is "truncated".

While the S-curve profile is in motion, the user is not allowed to change any of the profile parameters. The axis must be at rest before a new set of profile parameters can be executed. If parameters are changed during motion then a 'command error'

will occur, and all new parameters will be ignored except the position. See the section of this manual entitled "Command Error" for more information..

Before switching to the S-curve point to point profile mode, the axis should be at a complete rest.

When the axis is in the S-curve profile mode, the SET_MAX_ACC command should be used to load the max. acceleration value. The alternate acceleration loading command SET_ACC can not be used.

Trapezoidal Point to Point

The following table summarizes the host specified profile parameters for the trapezoidal point to point profile mode:

Profile Parameter	Representation & Range	Units
Destination Position	signed 32 bits -1,073,741,824 to 1,073,741,823	usteps
Maximum Velocity	unsigned 32 bits (1/2 ¹⁶ scaling) 0 to 1,073,741,823	usteps/cycle
Starting Velocity	unsigned 32 bits, (1/2 ¹⁶ scaling) 0 to 1,073,741,823	usteps/cycle
Accel.	unsigned 32 bits (1/2 ¹⁶ scaling) 0 to 1,073,741,823	usteps/cycle ²

In the trapezoidal point to point profile mode the host specifies a destination position, a maximum velocity, a starting velocity, and an acceleration. The trajectory is executed by accelerating at the commanded acceleration, beginning at the starting velocity, to the maximum velocity where it coasts until decelerating such that the destination position is reached with the axis at rest (zero velocity). If it is not possible to reach the maximum velocity (because deceleration must begin) then the velocity profile will have no "coasting" phase. The acceleration rate is the same as the deceleration rate.

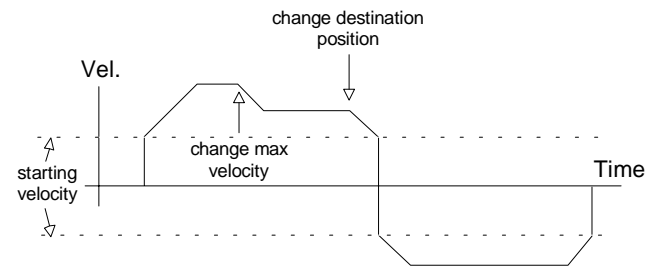
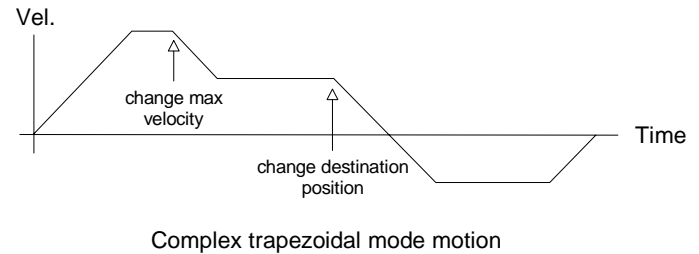
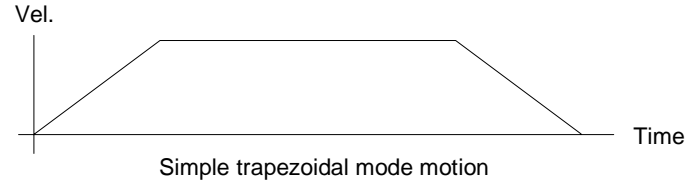
A new maximum velocity and destination position can be specified while the axis is in motion. When this occurs the axis will accelerate or decelerate toward the new destination position while attempting to satisfy the new maximum velocity condition.

Before switching to the Trapezoidal point to point profile mode, the axis should be at rest.

When in Trapezoidal point to point profile mode, to change the acceleration, the axis must come to a complete stop. After this has occurred, a new acceleration value can be loaded. If the acceleration parameter is changed during motion then a 'command error' will occur, and all updated parameters will be ignored except the position. See the section entitled 'Axis Status for more informaton' on command errors.

The Starting Velocity can not be changed while the axis is in motion.

The following figure shows a velocity profile for a typical point to point trapezoidal move, along with a more complicated move involving on the fly changes to the maximum velocity and the destination position.



Velocity Contouring

The following table summarizes the host specified profile parameters for the Velocity contouring profile mode:

Profile Parameter	Representation & Range	Units
Maximum Velocity	unsigned 32 bits (1/2 ¹⁶ scaling) 0 to 1,073,741,823	usteps/cycle
Starting Velocity	unsigned 32 bits, (1/2 ¹⁶ scaling) 0 to 1,073,741,823	usteps/cycle
Acceleration	signed 32 bits* (1/2 ¹⁶ scaling) -1,073,741,824 to 1,073,741,823	usteps/cycle ²

* negative numbers using 1/2¹⁶ scaling are handled no differently than positive numbers. For example if an acceration value of -1.95 usteps/cycle² is desired, -1.95 is

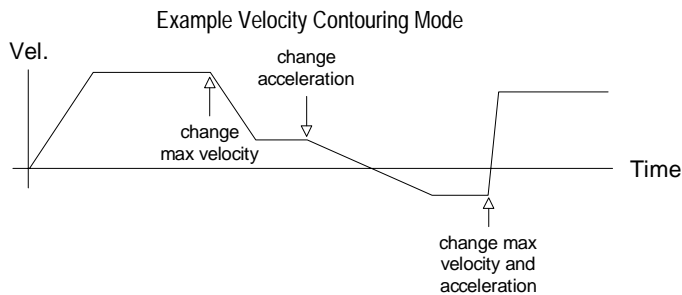
multiplied by 65,536 and the result is sent to the chipset (-127,795 dec. or fffe0ccd hex).

In this profile mode the host specifies two parameters, the commanded acceleration, and the maximum velocity. The trajectory is executed by continuously accelerating the axis at the commanded rate until the max. velocity is reached, or until a new acceleration command is given.

The maximum velocity value must always be positive. Motion direction is controlled using the acceleration value. Positive acceleration values result in positive motion, and negative values result in negative motion.

There are no restrictions on changing the profile parameters on the fly. Note that the motion is not bounded by position however. It is the responsibility of the host to generate acceleration and max. velocity command values which result in safe motion, within acceptable position limits.

The following figure shows a typical velocity profile using this mode.



There are no restrictions on switching the profile mode to velocity contouring while the axis is in motion.

The Starting Velocity can not be changed while the axis is in motion.

Electronic Gear

The following table summarizes the host specified profile parameters for the electronic gear profile mode:

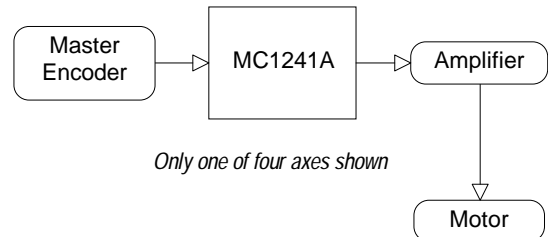
Profile Parameter	Representation & Range	Units
Gear Ratio	signed 32 bits* (1/2 ¹⁶ scaling) -1,073,741,824 to +1,073,741,823	-

* for example to specify a gear ratio of +1.5 to 1 the value 1.5*65,536 is sent to the chipset (98,304). Alternatively to set the gear ratio as -11.39 to 1 the value -11.39*65,536 is sent (-746,455 dec. or fff49c29 hex.).

In this profile mode, the host specifies one parameter, the gear ratio. The target position is generated by applying the specified gear ratio to the encoder position of the same axis, multiplying by the specified gear ratio and outputting the corresponding number of microsteps.

In this way the output of the microstep generator will precisely track the input encoder position factored by a programmable gear ratio. This can be useful in many applications where continuous synchronization with an external mechanism is important.

The following figure shows the arrangement for encoders and motor drives in a typical electronic gearing application with the MC1241A



The total number of geared axes supported per chipset is equal to the number of motor axes. For each motor axes the encoder input for the same axis is used as the master position command. In addition these master/slave combinations are fixed, with the encoder for axis 1 driving the axis 1 microstep generator, and the encoder for axis 2 driving the axis 2 microstep generator.

There are no restrictions on changing the gear ratio when the axis is in motion, although care should be taken to select ratios such that safe motion is maintained.

There are also no restrictions on changing to this profile mode while the axes is in motion.

Trajectory Control

Normally each of the above trajectory modes will execute the specified trajectory, within the specified parameter limits, until the profile conditions are satisfied. For example for the point-to-point profile modes this means that the profile will move the axis until the final destination position has been reached, at which point the axis will have a velocity of zero.

Halting The Trajectory

In some cases however it is necessary to halt the trajectory manually, for safety reasons, or simply to achieve a particular desired profile. This can be accomplished using one of two methods; abrupt stop, or smooth stop.

Abrupt stops are accomplished using the STOP command. This command instantaneously stops the trajectory generator by setting the velocity of the axis to zero. This control mode is typically used during an emergency stop, when no deceleration phase is desired.

Smooth stops are accomplished using the SMOOTH_STOP command. This command causes the trajectory to decelerate at a rate equal to the

specified acceleration rate, until a velocity of zero is reached. In addition the form of the deceleration is symmetric to the acceleration phase. For example if the profile mode is S-curve, and a SMOOTH_STOP command is given, the profile will decelerate in a manner exactly equal and opposite to the acceleration phase.

The STOP command functions in all profile modes; S-curve point-to-point, Trajectory point-to-point, Velocity Contouring, and Electronic Gear.

The SMOOTH_STOP functions in S-curve point-to-point, Trajectory point-to-point, and Velocity Contouring profiling mode. It does not function in Electronic Gear mode.

Caution should be exercised when using the STOP command due to the large and abrupt changes in motion that may occur.

Motion Complete Status

To simplify the programming of a complete motion system it is convenient to have the motion chipset indicate when a particular profile move has been completed.

This function is provided by two status bits in the chipset's status word (See the section of this manual entitled "Axis Status " for more information on the axis status word). These two bits are called the motion complete bit, and the in-motion bit.

The motion complete bit is controlled interactively by the chipset and the host. After a motion has completed, the chipset sets the motion complete bit on. The host may then poll this bit to determine that motion is complete, or if desired, the host can program the chipset to automatically signal when the motion is complete (using an interrupt). In either case once the host has recognized that the motion has been completed the host clears the motion complete bit, enabling the bit to indicate the end of motion for the next move.

The following list shows the conditions that will cause the motion complete bit to occur:

- Profile has reached the destination position (point-to-point profile modes only)
- Axis trajectory reaches a velocity of zero and the current velocity command is zero
- SMOOTH_STOP command is given and axis trajectory reaches a velocity of zero
- STOP command is given
- Limit switch condition occurs

The in-motion bit is similar to the motion complete bit except that it continuously indicates the status of the axis without interaction with the host. In addition this bit is used exclusively for polled mode operations. It can not cause an interrupt to the host to be generated.

The motion complete and the in-motion indicator bits function in the S-curve point-to-point, Trapezoidal point-to-point, and Velocity

Contouring profile modes only. They do not function when the profile mode is set to electronic gearing.

The motion complete and in-motion bits indicate the state of the trajectory generator, not the actual motor. Even if the trajectory generator has completed a motion, the actual axis position may or may not be at rest depending on motor stability, and other system conditions.

Parameter Loading & Updating

Various profile & motor control parameters must be specified by the host for an axis to be controlled in the desired manner. To facilitate precisely synchronized motion, these parameters and related control commands are loaded into the chip using a double-buffered scheme. In this scheme, the parameters and action commands being loaded are not acted upon (copied from the double-buffered to the active registers) until an update signal is given.

This update signal can consist of either a "manual" update command or one of several conditional breakpoints. Whichever update method is used, at the time the update occurs, all of the double buffered registers and commands will be copied to the active registers. Conversely, before the update occurs, loading the double-buffered registers or executing the double buffered commands will have no effect on the system behavior.

The double buffered registers are listed below.

Register Name	Command to set
destination position	SET_POS
maximum velocity	SET_VEL
acceleration	SET_ACC
maximum acceleration	SET_MAX_ACC
jerk	SET_JERK
ratio	SET_RATIO
buffered motor command	SET_BUF_MTR_CMD

The double-buffered commands are: STOP, SMOOTH_STOP, and SYNCH_PRFL.

Manual Update

There are two methods of manually updating the double-buffered parameters & commands, one for a single axis instantaneous update and one for a multiple-axis update.

The single axis instantaneous update, which is specified using the UPDATE command, forces the parameters for the current axis to be updated at the next cycle.

The multiple axis instantaneous update, which is specified using the MULTI_UPDATE command, causes multiple axes to be updated simultaneously. This can be useful when synchronized multi-axis profiling is desired. This command takes a 1 word argument which

consists of a bit mask, with 1 bit assigned to each axis. Executing this command has the same affect as instantaneously switching to each desired axes, and executing an UPDATE command.

Breakpoints

A breakpoint is a convenient way of programming a profile or other double-buffered parameter change upon some specific condition. There are two types of breakpoints, those that have a 32-bit comparator value associated with them and those that do not. For those that have the comparator, a 32-bit comparator value is loaded into the breakpoint compare register first, and then one of the breakpoint conditions is specified. For those breakpoint modes without associated comparator values only the breakpoint condition needs to be specified.

The double-buffered registers and commands will be updated upon satisfaction of the specified breakpoint condition.

Here is a list of all of the available breakpoint conditions.

Positive **Target** Position Breakpoint

A 32 bit position breakpoint can be specified which will result in the parameters being updated when the current target position (the instantaneous desired axis position output from the profile generator) equals or exceeds the specified breakpoint value. This breakpoint is set using the SET_POS_BRK command.

Negative **Target** Position Breakpoint

A 32 bit position breakpoint can be specified which will result in the parameters being updated when the current target position (the instantaneous desired axis position output from the profile generator) equals or is less than the specified breakpoint value. This breakpoint is set using the SET_NEG_BRK command.

Positive **Actual** Position Breakpoint

A 32 bit position breakpoint can be specified which will result in the parameters being updated when the current actual position (the instantaneous position of the actual axis hardware) equals or exceeds the specified breakpoint value. This breakpoint is set using the SET_ACTL_POS_BRK command.

Negative **Actual** Position Breakpoint

A 32 bit position breakpoint can be specified which will result in the parameters being updated when the current actual position (the instantaneous position of the actual axis hardware) equals or is less than the specified breakpoint value. This breakpoint is set using the SET_ACTL_NEG_BRK command.

Time Breakpoint

A 32 bit time breakpoint can be specified which will result in the parameters being updated when the # of cycles executed since chip set reset (the current chip set time) is equal to the time breakpoint value. The # of cycles continuously increases until it rolls over from $2^{32} - 1$ back to 0. The time breakpoint is set using the SET_TIME_BRK command.

Motion Complete Breakpoint

A breakpoint can be specified which will result in the parameters being updated when the previous motion has been completed (motion complete bit is set). When using this breakpoint no 32 bit compare value is required.

External Breakpoint

A breakpoint can be specified which will result in the parameters being updated when the home signal of the corresponding axis becomes active (low). When using this breakpoint no 32 bit compare value is required. This breakpoint is useful whenever it is desired that an external signal starts, stops, or otherwise modifies the profile movement.

Normally, whenever one of these conditions has been programmed and the condition occurs, the double-buffered parameters will automatically be shifted to the active registers. There is a mechanism to disable this "automatic update upon breakpoint" however. This is discussed in the next section.

The above breakpoint modes are particularly useful during multi-axis motion. This is because the next profile commands (set of host-specified trajectory commands) can be pre-loaded and activated at the precise position or time required, with no delay incurred to send an update or load parameters command.

After a breakpoint condition has been satisfied it is no longer active. To set up another breakpoint condition, a new one must be explicitly set by the host.

The double-buffered registers that are shifted to the active registers do not change upon being shifted, only the active registers change.

Except for the MULTI_AXIS command, parameter loading and updating is controlled individually for each axis. In addition each axis has a separate 32-bit breakpoint register, and can be set to various individual breakpoint conditions.

External Breakpoints and Homing

By connecting a home input sensor to the home signal input of the MC1241-series chipsets it is possible to cause the chipset to halt a motion at the moment it receives the home signal. This capability makes it ideal for performing a home sequence. The following host I/O sequence illustrates this:

```
GET_HOME           ; check to make sure axis not already at
                   ; home. If so, then a 'reverse' move must
                   ; be made to retract axis from home switch.
                   ; This 'reversing' sequence is not
                   ; indicated here for simplicity sake
SET_POS 12345      ; load home move parameters
SET_VEL 23456
SET_ACC 345
UPDATE             ; start home move
SET_EXT_BRK       ; initiate external breakpoint mode
```

STOP ; load (but do not update) a stop command

This sequence will start a homing move which will stop as soon as the axis encounters the home switch.

As is the case for all of the breakpoint modes, the external breakpoint can not only be used to stop an ongoing move, but to start or otherwise modify a move as well. This flexibility makes it well suited for applications such as cut-on-the-fly where externally-initiated motions are required.

Disabling Automatic Profile Update

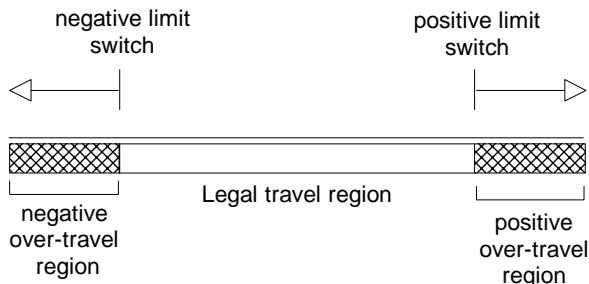
Normally, when a breakpoint condition has been satisfied, it causes the profile and other double-buffered parameters to be automatically updated. For certain types of profiles however, it may be desirable to still use the breakpoint mechanism (to allow it to generate a host interrupt for example), but not to have the profile update.

Whether the profiles are automatically updated or not for a given axis is controlled by the commands SET_AUTO_UPDATE_ON and SET_AUTO_UPDATE_OFF. When auto update is set to on, the breakpoint/profile mechanism behaves as described above. When set to off, upon a breakpoint condition, no profile update will occur. When in this mode the only way to update the profile is to use the UPDATE command or the MULTI_UPDATE command.

Travel Limit Switches

The MC1241-series chipsets support motion travel limit switches that can be used to automatically recognize an "end of travel" condition.

The following figure shows a schematic representation of an axis with travel-limit switches installed, indicating the "legal" motion area and the over-travel regions.



There are two primary services that the MC1241A provides in connection with the over-travel limit switch inputs:

- 1) The host can be automatically notified that an axis has entered an over-travel condition, allowing the host to take appropriate special action to manage the over-travel condition.

- 2) Upon entering an over-travel condition, the trajectory generator will automatically be halted, so that the motor does not travel further into the over travel region.

To recover from an over-travel condition the corresponding status bits in the status word should be reset (see the section of this manual on axis status for details on resetting status word bits). Once this has been performed the host can command a trajectory move to bring the axis out of the over-travel region.

The over-travel detector is 're-armed' when the axis exits the over travel condition.

Only one over-travel signal can be processed at a time. For example if the negative over travel switch becomes active, the corresponding status bits must be cleared, and the axis moved into the legal travel range before a positive over travel switch will be recognized.

Axis Timing

Each axis of the MC1241-series chipsets receives a "time slice" of the available computation power of the CP chip. The amount of time required for the chipset to perform one complete pass of calculations for all of the axes is known as the chipset cycle time. This chipset cycle time is important to the host processor because it determines the rate at which profile trajectories are updated.

The cycle time is the same for all MC1241-series chipsets. The cycle time value is 540 uSec*. All velocities, accelerations, and jerk values are related to this cycle time via the various trajectory generator modes that generate axis motion.

** exact cycle time is 542.72 uSec, 540 is an approximation.*

For example, to determine the velocity of a given axis in units of steps/second, we use the conversion ratio 1 sec = 1,851 cycles (1,851 cycles/sec = 1 cycle every 540 uSec). Therefore if the desired maximum velocity to be provided to the chipset is (for example) 12,345 usteps/sec we convert to units of usteps/cycle by dividing by 1,851, giving a value of 6.669. The value we send to the chipset using the SET_VEL command (see host command section for details) would be 65,536 times this amount since the velocity parameter uses $1/2^{16}$ scaling. Therefore we would send a value of 437,083 to the chipset.

As an additional example, to determine the acceleration of a given axis in units of usteps/second², we again use the conversion ratio 1 sec = 1,851 cycles, however we must take into account the conversion to cycles² (not cycles). Therefore if the desired acceleration to be provided to the chipset is (for example) 67,890 usteps/sec² we convert to units of usteps/cycle² by dividing by 1,851² (or 3,426,201), giving a value of .0019815. The value we send to the chipset using the SET_ACC command (or SET_MAX_ACC command if we are in S-curve mode) would be 65,536 times this amount since this parameter

uses $1/2^{16}$ scaling. Therefore we would send a value of 1298 (decimal) to the chipset.

All MC1241-series chips have the same cycle time (540 uSec), which is not adjustable by the host.

Host Communications

Electrical Interface

The MC1241A communicates to the host processor via an 8-bit bi-directional data port. 5* additional signals are used to synchronize communication operations. The following table gives a brief description of the control signals used during host communication:

Signal	Description
-HostSlct	Selects the host port for operations
-HostWrite	Writes a byte of data (or a command) to the chip set. A write operation can only occur when the ready/busy line indicates ready
-HostRead	Reads a byte of data from the chip set. A read operation can only occur when the ready/busy line indicates ready
HostCmd	Is asserted in combination with the HostWrite signal when a command is being written to the chip set.
HostRdy	Indicates to the host that the host port is available for operations

*An additional signal, HostIntrpt is provided to the host. This signal is not used directly in communication operations, and is discussed in a separate section

Three types of hardware communication operations are possible between the host processor and the chip set: Command Write, Data Write and Data Read. Each of these operations transfers information to or from the chip set, and is coordinated using the 5 control signals listed above.

A **Command Write** operation involves the transfer of a single byte command to the chip set. To perform a write command operation, the desired command is loaded on the 8 data pins and -HostSlct and -HostWrite are brought low, while HostCmd is brought high.

A **Data Write** operation involves the transfer of two bytes of data (1 word) to the chip set. To transfer the first byte (high byte), the desired data byte is loaded on the 8 data bits and -HostSlct, -HostWrite and HostCmd are brought low. The HostWrite signal is then brought high to end the transfer of the first byte. To transfer the second byte (low byte), the desired data byte is loaded on the 8 data bits and -HostSlct, -HostWrite and HostCmd are again brought low.

A **Data Read** operation involves the transfer of two bytes of data (1 word) from the chip set to the host. To transfer the first (high) byte, -HostSlct, -HostRead, and -HostCmd signals should be brought low, and the data should be read from the 8 bit data bus. The HostRead

signal is then brought high to end the transfer of the first byte. To transfer the second (low) byte, -HostSlct, -HostRead, and -HostCmd are again brought low and the data should be read from the data bus.

Before any command write, data write or data read operations are performed, the user must check that the HostRdy signal indicates ready. After a command write, or after the second byte of each read or write, this signal will go busy. It will return to ready when the chipset can receive another I/O operation.

For more specific electrical information on the host interface operations, see the pin descriptions and the timing diagram.

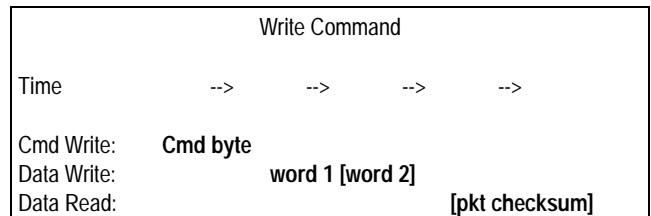
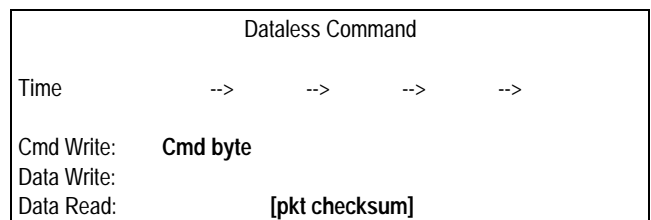
Packet Format

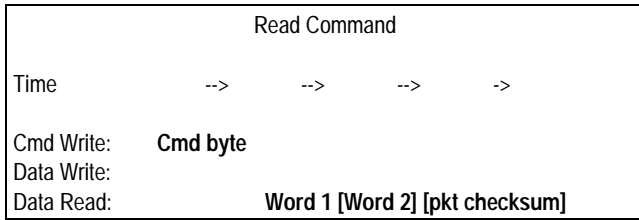
All communications to/from the chip set take the form of packets. A packet is a sequence of transfers to/from the host resulting in a chip set action or data transfer. Packets can consist of a command with no data (Dataless Command), a command with associated data that is written to the chip set (Write Command) or a command with associated data that is read from the chip set (Read Command).

All commands with associated data (read or write) have either 1 or 2 words of data. See the host commands section for more information on the length of specific commands.

If a read or a write command has 2 words of associated data (a 32 bit quantity) the high word is loaded/read first, and the low word is loaded/read second.

The following charts show the generic command packet sequence for a Dataless Command, a Write Command, and a Read Command. The hardware communication operation described in the previous section to accomplish each type of transfer is shown in the left column.





[] Indicates an optional operation

Packet Checksum

The above charts show that at the end of each packet, a checksum word is available for reading.

Although host to chip set I/O operations are extremely reliable, for critical applications the checksum can provide a further reliability enhancement (particularly in very noisy electrical environments, or when the communication signals are routed over a media that may have data losses such as a serial link).

This checksum consists of a 16-bit sum of all previous communications that have occurred for the associated command. The command byte is included in the low byte of the 1st checksum word (high byte set to 0). Data words are added as is to the checksum value.

For example if a SET_VEL command (which takes two 16-bit words of data) was sent with a data value of fedcba98 (hex), the checksum would be:

```

0011 (code for SET_VEL command)
+ fedc (high data word)
+ ba98 (low data word)
-----
1b985
check sum = b985 (keep bottom 16 bits only)

```

Reading the checksum is optional. Recovering from an incorrect packet transfer (bad checksum) will depend on the nature of the packet. Read and Write operations can always be re-transmitted, while a command resulting in an action may or may not be re-tried, depending on the command and the state of the axis.

Illegal Commands

When the MC1241A receives a command that is illegal (see host command summary for listing of illegal commands), it will signal this condition by returning a checksum of 0, regardless of the illegal command value or the value of any subsequent data written to the host as part of the illegal command sequence.

In this manner the host processor checksum can be used to detect communication problems as well as an illegal command sequence, resulting in a simplification of the host processor communication code.

Command Errors

If a command, or command sequence is sent to the chipset that is not valid at a given operating condition of the chipset, but is valid at other times, this command is said to cause a command error.

When a command error occurs this condition is indicated by the 'command error' bit of the axis status word (See the section of this manual entitled "Axis Status" for more information on the axis status word).

The following list indicates the command sequences that result in a command error:

- Changing and updating the acceleration (SET_ACC, UPDATE) when in the trapezoidal profile mode and when the axis trajectory is still in motion.
- Changing and updating either the velocity, max acceleration, or jerk (SET_VEL or SET_MAX_ACC or SET_JERK, and then UPDATE) when in the S-curve profiling mode and when the trajectory is in motion
- Commanding a move in the same direction as a limit switch condition when in Trapezoidal or S-curve profile mode. For example if travelling in the positive direction and a limit switch is encountered, a further move in the positive direction will be ignored and a command error will be generated.

Once a command error occurs the command error bit is set, and the illegal profile changes are ignored. If additional parameters are also changed such as position or any filter values as part of the same UPDATE command then these parameters will not be rejected at the time of the UPDATE, and they will become the active values.

Axis Addressing

Most chip set commands alter the parameters or the operating state of one axis at a time. In this way each axis can be controlled separately. To facilitate efficient communication for these types of commands, the chip set maintains the concept of a current axis number, which can be set explicitly by the host. After setting the current axis number, commands that are addressed to the current axis will automatically operate on this axis. The current axis number will stay the same until it is changed by one of the commands that alter the current axis number.

As an illustration of this, the following sequence sets the current axis to #2, updates some motion parameters, and switches to axis #1, and alters some other motion parameters.

```

SET_2          -> sets current axis to #2
SET_POS 02345678 -> loads current axis (#2) dest.
                    position with value of 2345678
UPDATE         -> causes the loaded value to take
                    effect (axis # 2)

```

SET_1 -> sets current axis to #1
SET_ACCEL **00001234** -> loads current axis (#1) with acceleration value 1234
UPDATE -> causes the loaded value to take effect (axis # 1)

Axis Status

The MC1241A supports a status word for each axis, which contains various information about the state of the axis.

The status word is a 16-bit register which can be queried using the command GET_STATUS. It contains the following information (Bit encoding is 0 = LSB, 15 = MSB):

Bit #	Description									
0	Motion complete flag. This bit is set (1) when the axis trajectory has completed. This flag is only valid for the S-curve and trapezoidal, and velocity contouring profile modes.									
1	Wrap-around condition flag. This bit is set (1) when the axis has reached the end of its travel range, and has wrapped to the other end of the travel range. Specifically, when travelling in a positive direction past the position +1,073,741,823, the axis will wrap to position -1,073,741,824, and vice-versa.									
2	Breakpoint reached flag. This bit is set (1) when one of the breakpoint conditions has occurred.									
3	Index pulse received flag. This bit is set (1) when an index pulse has been received.									
4	Motion error flag. This bit is set (1) when the position error is exceeded (see filter section for more information). This bit can only be reset when the axis is no longer in a motion error condition									
5	Positive limit switch flag. This bit is set (1) when the positive limit switch goes active.									
6	Negative limit switch flag. This bit is set (1) when the negative limit switch goes active.									
7	Command error flag. This bit is set (1) when a command error has occurred.									
8	motor on/off status (1 indicates motor is on, 0 indicates motor is off).									
9	axis on/off status (1 indicates on, 0 indicates off).									
10	In-motion flag. This bit continuously indicates whether or not the axis trajectory is in motion. This bit is set (1) when the axis is in motion, and cleared (0) when the axis trajectory is not in motion.									
11	reserved (may contain 0 or 1)									
12,13	current axis # (13 bit = high bit, 12 bit = low bit). Therefore axis encoding is as follows: <table border="1" style="margin-left: 20px;"> <thead> <tr> <th>Bit 13</th> <th>Bit12</th> <th>Axis</th> </tr> </thead> <tbody> <tr> <td>0</td> <td>0</td> <td>1</td> </tr> <tr> <td>0</td> <td>1</td> <td>2</td> </tr> </tbody> </table>	Bit 13	Bit12	Axis	0	0	1	0	1	2
Bit 13	Bit12	Axis								
0	0	1								
0	1	2								
14,15	reserved (may contain 0 or 1)									

Bits 8-10 and 12-13 indicate continuous status information, and do not need to be reset by the host.

Bits 0-7 indicate various status flags that can also generate host interrupts (see next section for details). These flags are set by the chipset, and must be reset by the host (They will not be cleared by the chipset).

Bits 0-7 of the status word operate using a set/reset mechanism. These flags are set by the chipset, and must be reset by the host. If they are not reset by the host they will remain active indefinitely.

Miscellaneous Mode Status Word

There is another status word available that indicates the current status of various mode settings or conditions.

The miscellaneous mode status word is a 16-bit register which can be queried using the command GET_MODE. It contains the following information (Bit encoding is 0 = LSB, 15 = MSB):

Bit #	Description															
0-6	Used internally by chipset. Contains no host-useable information.															
7	Stop on motion error mode flag. This bit indicates the state of the stop on motion error mode, set by the commands SET_AUTO_STOP_ON and SET_AUTO_STOP_OFF. A 1 indicates auto stop is on.															
8-9	Used internally by chipset. Contains no host-useable information.															
10	Auto update flag. This bit indicates the state of the auto update mode, set using the commands SET_AUTO_UPDATE_ON and SET_AUTO_UPDATE_OFF. A 1 indicates that auto update is disabled.															
11,12	Trajectory generator mode. This bit indicates the mode of the trajectory generator, set using the commands SET_PRFL_S_CRV, SET_PRFL_TRAP, SET_PRFL_VEL, SET_PRFL_GEAR. The encoding is as follows: <table border="1" style="margin-left: 20px;"> <thead> <tr> <th>Bit 12</th> <th>Bit11</th> <th>Profile Mode</th> </tr> </thead> <tbody> <tr> <td>0</td> <td>0</td> <td>trapezoidal</td> </tr> <tr> <td>0</td> <td>1</td> <td>velocity contouring</td> </tr> <tr> <td>1</td> <td>0</td> <td>s-curve</td> </tr> <tr> <td>1</td> <td>1</td> <td>electronic gear</td> </tr> </tbody> </table>	Bit 12	Bit11	Profile Mode	0	0	trapezoidal	0	1	velocity contouring	1	0	s-curve	1	1	electronic gear
Bit 12	Bit11	Profile Mode														
0	0	trapezoidal														
0	1	velocity contouring														
1	0	s-curve														
1	1	electronic gear														
13-15	Phase #. These bits indicate the current phase # of the S-curve profile (only valid if the current profile mode is S-curve). A 0 indicates that the profile has not started yet, and phases 1-7 indicate the phase #'s corresponding to the phases described in the S-curve profiling mode. The 3-bit phase # word is encoded bit 15 MSB, and bit 13 LSB.															

Host Interrupts

In many situations, during axis motion or at other times, it is useful to have the chip set signal the host that a special condition has occurred. This is generally more convenient and efficient than having the host poll

the chip set for various possible conditions. This chip set-initiated signal is known as a host interrupt.

Several chip set conditions may occur that can result in the generation of a host interrupt. Whether these conditions in fact interrupt the host is controllable for each condition and for each axis. The mechanism used to control each condition is a mask register.

The interrupt conditions correspond to bits 0-7 and 11 of the status register (the axis event flags), described in the previous section. These conditions are summarized below:

Motion Complete	Occurs when the profile is complete
Wrap-around condition	Occurs when the axis position wraps.
Break Point Reached	Occurs when a breakpoint condition has been satisfied.
Position Capture Received	Occurs when the encoder index pulse or home pulse has been captured
Motion Error	Occurs when the maximum position error set for a particular axis has been exceeded
Negative Limit Switch	Occurs when the negative over-travel limit switch is active
Positive Limit Switch	Occurs when the positive over travel limit switch is active
Command Error	Occurs when a host communication sequence causes a command error condition

When one of these interrupt conditions occur for a particular axis, the host interrupt line is made active. At this point the host can respond to the interrupt (although the current I/O operation should be completed), but it is not required to do so

When the host has completed processing the interrupt, it sends a command that clears the interrupt conditions for a particular axis, the RST_INTRPT command.

This command includes a "clearing mask" as an argument, which allows one interrupt to be cleared at a time.

Bits cleared by the RST_INTRPT command are the exact same bits as those cleared by non-interrupt commands such as RST_STATUS and CLR_STATUS. In each case the bits affected are the status word bits 0-7.

Interrupts occur for a particular axis. If the user is currently programming parameters on axis #1 and an interrupt occurs on axis #2, it is the host's responsibility to change axis number to 2 if this is the appropriate response to an interrupt on that axis. If more than one axis interrupt condition becomes active at exactly the same time, then the axis with the lowest number will generate the interrupt first.

The following host commands are used in managing interrupts: (See Host Command reference for complete information)

SET_INTRPT_MASK	Sets the interrupt conditions mask
GET_INTRPT	Returns the status of the interrupting axis (including the interrupting axis #). The current axis # is not altered by this command
SET_I	Changes the current axis # to the interrupting axis. This is a 'time saver' command which performs the dual operations of getting the interrupting axis # and switching to that axis in one command.
RST_INTRPT	Clears particular conditions for the interrupting axis. The current axis # is not altered by this command.

To facilitate determining the nature of the interrupt, the status register holds the axis #, allowing the interrupting axis # to be determined.

The following represents a typical sequence of interrupt conditions and host responses. Assume for the purposes of this example that an axis (not the current axis) has hit a "hard stop" causing an essentially instantaneous motion error, as well as a positive limit switch trip. Also assume that the interrupt mask for this axis was set so that either motion errors or limit switch trips will cause an interrupt

Event	Host action
motion Error & limit switch trip generates interrupt	host sends SET_I command
interrupting axis status returned by chipset, current axis set to interrupting axis.	host detects motion error & limit switch flags are set, recovers from motion error first. host sends: RST_INTRPT 00EF, clearing motion error bit
chipset clears motion error bit and disables host interrupt line	-
Because limit switch interrupt is still active chipset immediately generates interrupt for limit switch	host sends SET_I command
interrupting axis status returned by chipset, current axis set to interrupting axis.	host detects that neg. limit switch trip flag is set, performs recovery for limit switch trip. host sends RST_INTRPT 00DF, clearing pos. limit switch bit
chipset clears limit switch bit and disables host interrupt line	-

At the end of this sequence, all status bits are clear, the interrupt line is inactive, and no interrupts are pending.

Note that it is not required to process multiple interrupts separately (as is shown in the example). It is perfectly valid to process 2 or more interrupt conditions at the same time, and to then send a RST_INTRPT command with a mask that clears multiple bits at the same time.

The RST_INTRPT and GET_I commands are only effective when there is an interrupt present. If no interrupt is present than alternative 'polled-mode' commands such as RST_STATUS or GET_STATUS should be used.

Encoder Position Feedback

The MC1241A-series of chipsets support direct input of incremental encoder signals. Four position input and control signals are supported:

- A quadrature channel
- B quadrature channel
- Index pulse
- Home signal

The A and B signals are used to continuously maintain the position of the motor, and the index and home signals are used as trigger inputs to a high-speed position capture mechanism.

Each quadrature channel consists of a square wave offset 90 deg. from the other. Positive motion consists of the A channel leading the B channel by 90 deg., and negative motion consists of the A channel lagging the B channel by 90 deg. For each full phase of one channel, four resolved quadrature counts will occur, resulting in a 4 to 1 resolution enhancement over the basic channel resolution.

The index pulse is typically located on the encoder and will be active once per revolution. The chip set recognizes that an index trigger has occurred (i.e. when the 32-bit index location is captured) when the index signal, as well as the A and B signals transition low.

The home signal is typically connected to a position reference sensor, or to any other general purpose synchronizing signal. The home signal is recognized when it alone transitions low. The state of the A and B signals does not affect home signal trigger recognition.

Encoder Filtering

To enhance reliability of the received encoder information the MC1241A provides digital filtering of the quadrature data lines (A and B quadrature count) as well as the index and home signals.

For all of these signals a valid high or low condition is recognized only when the condition has been maintained for 3 clock cycles of 160 nSec each (total required duration of 480 nSec)

For example if a brief spurious noise signal on one of the lines occurs for 300 nSec, then this noise will be rejected until a valid state change lasting over 480nSec occurs.

High Speed Position Capture

Each axis of the MC1241A supports a high speed encoder position capture register that allows the current 32-bit axis location to be saved based on an external trigger signal.

Two separate trigger signals are available, although there is only one capture register. The trigger signal source is selected by the host and can be either the index signal, or the home signal. Selection of the index input or the home input as the trigger source is made using the SET_CAPT_INDEX and SET_CAPT_HOME commands.

Position Capture Readback

After a triggering signal has caused a position capture in the MC1241A the stored position may be read by the host processor. The axis status word indicates whether or not a capture has occurred. The command GET_CAPT is used to retrieve the position stored at the time of the home signal trigger.

The captured position is equal to the axis position at the moment the trigger pulse was encountered (including other required signal states defined above). Note that the capture register is located in hardware. Its accuracy is therefore not affected by the velocity of the axis.

The position captured by the high-speed position capture register is the actual axis position of the motor encoder, not the trajectory generator position.

To read a sequence of positions the capture value must be read by the host processor before another position capture can occur. For example if a trigger occurs, and a second trigger occurs before the capture position was read using the GET_CAPT command, no capture will occur from the second triggering signal.

Stall Detection

The MC1241A chipset supports two primary operations in connection with encoder feedback:

- readback of current axis position
- automatic stall detection.

Readback of the current encoder position is accomplished using the GET_ACTL_POS command. This command allows the user to confirm that the stepper axis has achieved a particular location. The GET_ACTL_POS command can be used at any time, whether the axis is in motion or not.

Automatic stall detection allows the chipset to detect when the step motor has lost steps during a motion. This typically occurs when the motor encounters an obstruction, or otherwise exceeds its rated torque specification.

Automatic stall detection operates continuously once it is initiated. The current desired position (target position) is compared with the actual position (from the encoder) and if the difference between these two values exceeds a specified limit a stall condition is detected.

To initiate automatic stall detection the host must specify the number of encoder counts per output micro step. This is accomplished using the command SET_STEP_RATIO. The following equation shows how this value should be set for various values of encoder count resolution.

$$\text{Ratio} = (N_{\text{counts}}/N_{\text{pulses}}) * 256.$$

where: Ratio is the ratio value specified to the SET_STEP_RATIO command

N_{counts} is the number of encoder counts per motor rotation.

N_{pulses} is the number of output micro steps per motor rotation. This value 12,800 for a 1.8 degree step motor and 3,200 for a 7.2 degree step motor

For example if a step motor with 1.8 degree full step size is used with an encoder which has 4,000 counts per motor rotation, the ratio specified in the SET_STEP_RATIO command would be $(4,000/12,800) * 256$, or 80.

Although the MC1241A supports stall detection with encoders that have a different number of counts than pulses, the ratio provided with the SET_STEP_RATIO command must be an exact integer. For example in the above example an encoder with 4,000 counts per rotation which gives a ratio value of 80 is acceptable however an encoder with 4,096 which gives a ratio value of 81.92 is not acceptable.

Position Error

The difference between the desired position, also called the target position, and the actual encoder position is known as the position error, or the actual position error.

The position error is continuously maintained by the chipset and can be read by the host at any time. To read the position error the command GET_ACTL_POS_ERR is used.

To perform the stall detection function the position error is continuously compared with the maximum allowed position error, which is set using the command SET_POS_ERR. To read this value back the command GET_POS_ERR is used. The units of the maximum position error is encoder counts.

If the maximum position error value is exceeded (stall is detected), then the axis is said to be in a "motion error" condition. When this occurs the motion error bit in the axis status word is set, and further pulse generation may be halted, depending on the state of the automatic motor shutdown mode (see SET_AUTO_STOP_ON and SET_AUTO_STOP_OFF host command descriptions).

If the automatic motor stop mode is not set than only the motion error status bit is set.

Recovering From A Motion Error

To recover from a motion error which results in the microstep output being halted, the following sequence should be performed:

- 1) Determine cause of motion error and correct problem (this may require human intervention).
- 2) Re-enable motor output using the MTR_ON command

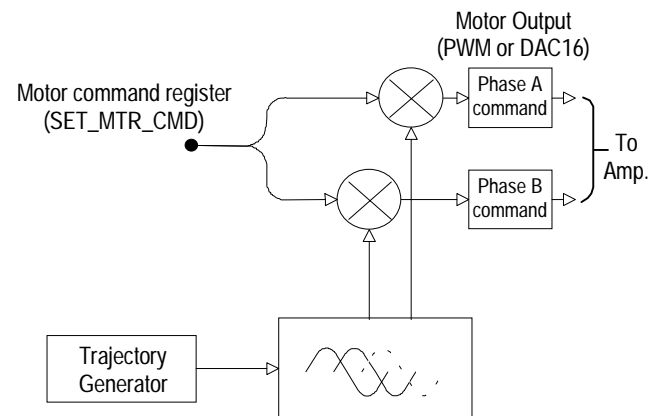
After the above sequence the axis will be at rest, and the position error between the target position and the actual encoder position will be set to zero.

Resetting the position error is useful not only for motion error recovery but also when the coordinate system is changed. Several commands reset the position error to zero. These commands are SET_ACTL_POS, which sets the actual as well as the target position to a particular value, and SYNCH_PRFL, which sets the actual position equal to the target position. The SYNCH_PRFL command will not take affect until an UPDATE command is given.

Microstepping

In addition to trajectory generation the MC1241A chipset provides direct internal generation of microstepping signals for 2-phase as well as 3-phase stepper motors.

The following diagram shows an overview of the control flow of the microstepping scheme:



The microstepping portion of the chipset generates a sinusoidal waveform with 64 distinct output values per full step (one full step = a quarter electrical cycle).

The output frequency of the microstepping signals are controlled by the trajectory generator. The amplitude of the microstepping signals are controlled using a register that can be set by the host processor known

as the motor command register. Adjustment of this register by the host allows different motor power levels during (for example) motion, and at rest.

Two microstepping waveforms are provided, one appropriate for traditional 2-phase stepper motors with 90 deg. of separation between phases, and one appropriate for 3-phase stepper motors and AC Induction motors with 120 deg. separation between phases. For more information on AC Induction Motor Control see the section entitled AC Induction Motor Control.

Microstepping Waveforms

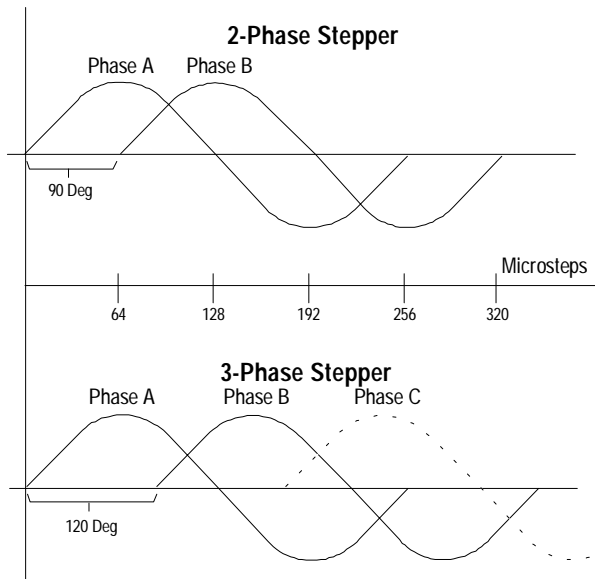
To specify 2-phase motor waveforms use the command SET_PHASE_2, and to specify 3-phase motor waveforms use the command SET_PHASE_3.

Regardless of the waveform selected or the motor output signal format (PWM or DAC16), 2 output signals per axis will be provided by the chipset. The following chart shows this.

Waveform	Motor Output Mode	# of Output signals & Name
2-phase	PWM	2 (A, B)
2-phase	DAC16	2 (A, B)
3-phase	PWM	2 (A, B)
3-phase	DAC16	2 (A, B)

For specific pin assignments of the PWM and DAC16 motor output signals see the section of this manual entitled 'Pin Descriptions'.

The diagram below shows the phase A, B signals for a 2-phase stepper motor, and the phase A, B signals for a 3-phase stepper motor or AC Induction motor.



For 3-phase stepper motors or AC Induction motors, the phase C waveform must be constructed externally using the expression $C = -(A+B)$. Typically this is performed by the motor amplifier itself. See the following section of this manual entitled "Motor Output" for more information.

Motor Command Control

The MC1241A provides the ability to set the motor command (power output) level of the stepper motor. This is often useful to optimize the motor torque, power consumption, and heat generation of the motor while it is at rest, or in various states of motion.

The motor output level is controlled by the motor command register. This register can be set using one of two commands; SET_MTR_CMD and SET_BUF_MTR_CMD. These commands are identical except that SET_BUF_MTR_CMD is double buffered, and requires an UPDATE or a breakpoint to occur before it takes effect. This feature can be used to advantage when it is desired that the motor power changes be synchronized with other profile changes such as at the start or the end of a move.

Changing the power level does not affect the microstepping output phasing or the frequency of the output waveform, it simply adjusts the magnitude of the waveform.

AC Induction Motor Control

The MC1241A chipset can be used as the basis of a variable speed 3-phase AC Induction motor controller. In this mode the chipset is set for a 3-phase waveform, and is operated as if it were a stepper motor. The position of the motor is not precisely maintained, however the velocity of the AC Induction motor can typically be controlled to within 10 - 20 percent.

Such a controller can be used for spindles, and other motors where velocity control, not positioning is required.

When running an AC Induction motor using variable speed control care should be taken that the output drive signal should never have a frequency of 0. Even if the motor is not rotating the drive frequency should have at least some rotational frequency. This is because a relative difference in the frequency of the drive signals and the motor rotor (called the slip frequency) is required to avoid magnetic field saturation at rest, a potentially damaging condition.

Using the MC1241A up to two AC Induction motors can be controlled, and using the MC1141A one can be controlled. The output drive configuration is the same as for 3-phase steppers shown in the 'Motor Output Configuration' section below.

The MC1241A chipset does not provide 'Flux Vector Control' of AC Induction Motors, only variable speed control. Therefore the MC1241A should not be used in AC Induction applications involving precision positioning.

Command Summary:

The following table summarizes the commands that are used in conjunction with microstepping signal generation:

Command	Function
SET_PHASE_3	Sets the commutation waveform for 3-phase brushless motors.
SET_PHASE_2	Sets the commutation waveform for 2-phase brushless motors.
GET_PHASE_INFO	Returns type of waveform selected.
SET_MTR_CMD	Sets the motor command register, used to control the motor output amplitude.
SET_BUF_MTR_CMD	Sets the buffered motor command register. Functions identically to SET_MTR_CMD except that an UPDATE is required for it take effect.

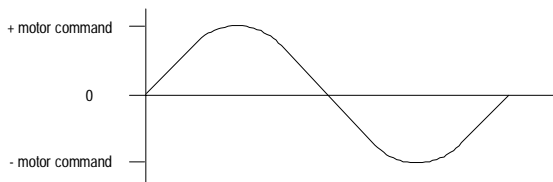
Motor Output

The MC1241A series of chipsets support two motor output methods, PWM and DAC.

The motor output method is host-selectable. The selected method affects all axes (motor output mode is **not** individually programmable for each axis). The host commands to select these output modes are SET_OUTPUT_PWM (to select PWM mode), and SET_OUTPUT_DAC16 (to select 16 bit DAC mode).

Motor Output Signal Interpretation

The diagram below shows typical waveforms for a single output phase of the MC1241A chipset. Each phase has a similar waveform, although the phase of the B channel output is shifted relative to the A channel output by 90 or 120 degrees (depending on the waveform selected).



The waveform is centered around an output value of 0. The magnitude of the overall generated waveform is controlled by the motor command register (SET_MTR_CMD or SET_BUF_MTR_CMD cmds).

For example if the chipset is connected to a DAC with an output range of -10 Volts to +10 Volts and the chipset is set to a motor command value of 32,767 (which is the maximum allowed value) then as the motor rotates through a full electrical cycle, a sinusoidal waveform centered at 0 volts will be output with a minimum voltage of -10, and a maximum voltage of +10.

DAC16 Decoding

The digital values output by the chipset to the DAC encode the desired voltages as a 16-bit digital word. The minimum voltage is output as a digital word value of 0, a voltage of 0 Volts is output as a digital word of 32,768 (dec.), and the maximum positive voltage is output as a digital word value of 65,535 (dec.).

To load each of the four (MC1241A) or two (MC1141A) DACs, the DAC control pins in combination with the chipset's 16-bit data bus are used. To load a particular DAC, The DAC address (1 of 4) is output on the signals DAC16Addr0-1, the 16 bits of DAC data are output on pins Data0-11 (high 12 bits), as well as DACLow0-3 (low 4 bits), I/OAddr0-3 and DACSict are high, and I/OWrite is low.

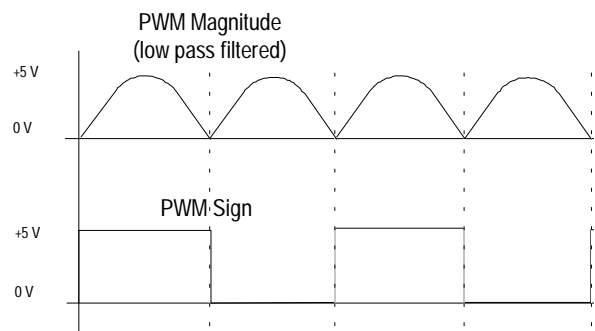
For more information on the DAC signal timing & conditions, see the Pin Descriptions and timing diagrams section of this manual.

DACs with lower resolution than 16 bits can also be used. To connect to a DAC with less resolution, the high order bits of the 16-bit data word should be used. For example, to connect to an 8-bit DAC, bits Data4-Data11 should be used. The low order 8 bits are written to by the chipset, but ignored by the DAC circuitry.

PWM Decoding

The PWM output mode also outputs a sinusoidal desired voltage waveform for each phase, however the method by which these signals encode the voltage differ substantially from the DAC16 digital word.

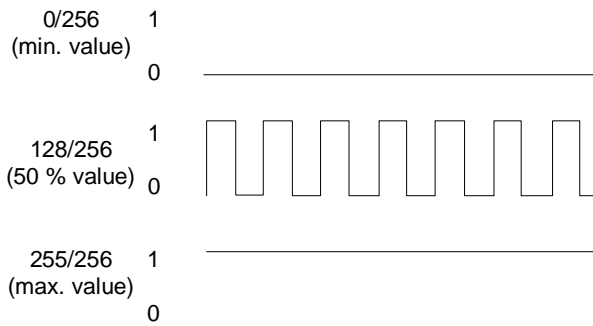
The PWM output mode uses a magnitude signal and a sign signal. The magnitude signal encodes the absolute value of the output sinusoid and the sign signal encodes the polarity of the output, positive or negative. The following diagram shows the magnitude and sign signals for a single output phase.



In this diagram the PWM magnitude signal has been filtered to convert it from a digital variable duty cycle waveform to an analog signal.

Before filtering this signal contains a pulse-width encoded representation of the 'analog' desired voltage. In this encoding the duty cycle of the waveform determines the desired voltage. The PWM cycle has a frequency of 97.6 kHz, with a resolution of 8 bits, or 1/256.

The following chart shows the encoding.

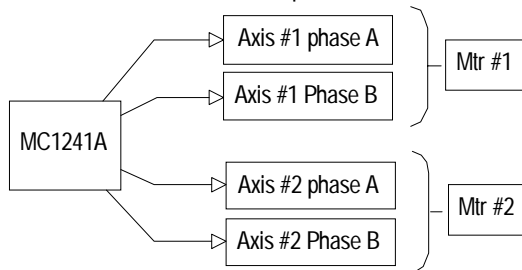


An output pulse width of 0 parts per 256 represents the minimum voltage, an output pulse width of 128 per 256 (50 %) represents a voltage of 50 % total scale and a pulse width of 256 per 256 represents the maximum positive voltage.

Motor Drive Configurations

Below is shown a typical amplifier configuration for a 2-phase stepper motor using either the PWM or DAC output mode.

2-Phase Motor Output Connection Scheme



Using the DAC output mode the digital motor output word for each phase is typically converted into a DC signal with a value between -10 to +10 volts. This signal can then be input into an off-the-shelf DC-Servo type amplifier (one amplifier for each phase) or into any other linear or switching amplifier that performs current control and provides a bipolar, two-lead output.

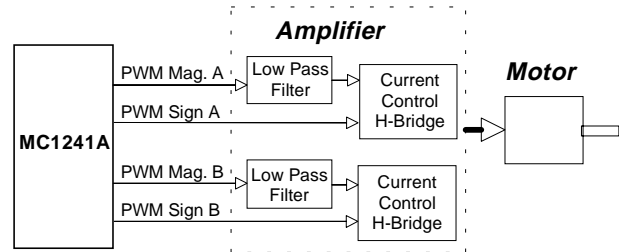
In this scheme each amplifier drives one phase of the stepper motor, with the chipset generating the required sinusoidal waveforms in each phase to perform smooth, accurate motion.

If the chipset's PWM output mode is used the PWM magnitude and sign signals are typically connected to an H-bridge-type device. For maximum performance current control should be performed by the amplifier to minimize the coil current distortion due to inductance and back-EMF.

Although there are several methods that can be used to achieve current control with the PWM output mode, a common method is to pass the PWM magnitude signal through a low pass filter, thereby creating an analog reference signal which can be directly compared with the current through the coil.

Several single-chip amplifiers are available which are compatible with these input signals. These amplifiers require an analog reference input (low-passed PWMMag signal from chipset) as well as a sign bit (PWMSign signal from chipset). The amplifier in-turn performs current control typically using a fixed-off time PWM drive scheme (See application notes section of this document for an example of such a circuit)

The diagram below shows this amplifier scheme:

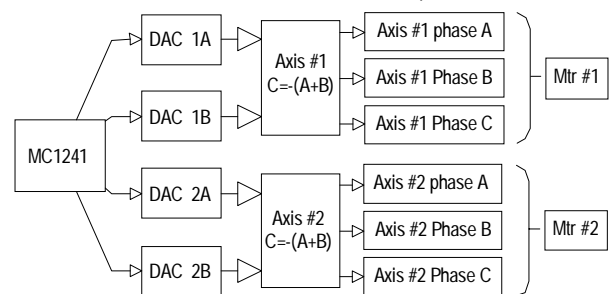


Relative to the DAC output method the PWM output mode when used with this amplifier scheme has the advantage of high performance with a minimum of external parts. This amplifier scheme is shown below for a single motor axis (two phases).

3-Phase Drive Configuration

Below is shown a typical amplifier configuration using the MC1241A in DAC mode for a 3-phase stepper or for an AC Induction motor with 3 phases.

3-Phase Motor Output Connection Scheme



When using DAC output mode the digital word provided by the chipset must first be converted into a voltage using an external DAC. Two DAC channels are required per axis. The third phase is constructed externally using the expression $C = -(A+B)$. This is usually accomplished with an Op-amp circuit.

Command Summary

Command Mnemonic	Code (hex)	Available on	Axes acted on	# data words /direction	Double Buffered	Description
Axis Control						
SET_1	01	all axes	set by cmd.	1/read	no	Set current axis # to 1
SET_2	02	all axes	set by cmd.	1/read	no	Set current axis # to 2
SET_I	08	all axes	interrupting axis	1/read	no	Set current axis # to the interrupting axis
Profile Generation						
SET_PRFL_S_CRV	0b	all axes	current axis	0	no	Set profile mode to S-curve
SET_PRFL_TRAP	09	all axes	current axis	0	no	Set profile mode to trapezoidal point to point
SET_PRFL_VEL	0a	all axes	current axis	0	no	Set profile mode to velocity-contouring
SET_PRFL_GEAR	0c	all axes	current axis	0	no	Set profile mode to electronic gear
SET_POS	10	all axes	current axis	2/write	yes	Set command position
SET_VEL	11	all axes	current axis	2/write	yes	Set command velocity
SET_ACC	12	all axes	current axis	2/write	yes	Set command acceleration
SET_MAX_ACC	15	all axes	current axis	1/write	yes	Set max acceleration (S-curve profile only)
SET_JERK	13	all axes	current axis	2/write	yes	Set command jerk
SET_RATIO	14	all axes	current axis	2/write	yes	Set command electronic gear ratio
SET_START_VEL	6a	all axes	current axis	2/write	no	Set starting velocity
STOP	46	all axes	current axis	0	yes	Abruptly stop current axis motion
SMOOTH_STOP	4e	all axes	current axis	0	yes	Smoothly stop current axis motion
SYNCH_PRFL	47	all axes	current axis	0	yes	Set actual position to target position
GET_POS	4a	all axes	current axis	2/read	-	Get command position
GET_VEL	4b	all axes	current axis	2/read	-	Get command velocity
GET_ACC	4c	all axes	current axis	2/read	-	Get command acceleration
GET_MAX_ACC	4f	all axes	current axis	1/read	-	Get max. acceleration (S-curve profile only)
GET_JERK	58	all axes	current axis	2/read	-	Get command jerk
GET_RATIO	59	all axes	current axis	2/read	-	Get command electronic gear rate
GET_START_VEL	6b	all axes	current axis	2/read	-	Get starting velocity
GET_TRGT_POS	1d	all axes	current axis	2/read	-	Get current target position
GET_TRGT_VEL	1e	all axes	current axis	2/read	-	Get current target velocity
Parameter Update						
SET_TIME_BRK	17	all axes	current axis	0	no	Set breakpoint mode to time
SET_POS_BRK	18	all axes	current axis	0	no	Set breakpoint mode to pos. target position
SET_NEG_BRK	19	all axes	current axis	0	no	Set breakpoint mode to neg. target position
SET_ACTL_POS_BRK	1b	all axes	current axis	0	no	Set breakpoint mode to pos. actual position
SET_ACTL_NEG_BRK	1c	all axes	current axis	0	no	Set breakpoint mode to neg. actual position
SET_MTN_CMPLT_BRK	35	all axes	current axis	0	no	Set breakpoint mode to motion complete
SET_EXT_BRK	5e	all axes	current axis	0	no	Set breakpoint mode to external
SET_BRK_OFF	6d	all axes	current axis	0	no	Set breakpoint mode off
SET_BRK_PNT	16	all axes	current axis	2/write	no	Set breakpoint comparison value
UPDATE	1a	all axes	current axis	0	-	Immediate parameter update
MULTI_UPDATE	5b	all axes	set by mask	1/write	-	Multiple axis immediate parameter update
SET_AUTO_UPDATE_ON	5c	all axes	current axis	0	no	Set automatic profile update on
SET_AUTO_UPDATE_OFF	5d	all axes	current axis	0	no	Set automatic profile update off
GET_BRK_PNT	57	all axes	current axis	2/read	-	Get breakpoint comparison value
Interrupt Processing						
SET_INTRPT_MASK	2f	all axes	current axis	1/write	no	Set interrupt mask
GET_INTRPT	30	all axes	interrupting axis	1/read	-	Get status of interrupting axis
RST_INTRPT	32	all axes	interrupting axis	1/write	no	Reset interrupting events
GET_INTRPT_MASK	56	all axes	current axis	1/read	-	Get interrupt mask

Command Mnemonic	Code (hex)	Available on	Axes acted on	# data words /direction	Double Buffered	Description
Status/Mode						
CLR_STATUS	33	all axes	current axis	0	no	Reset status of current axis
RST_STATUS	34	all axes	current axis	1/write	no	Reset events for current axis
GET_STATUS	31	all axes	current axis	1/read	-	Get axis status word
GET_MODE	48	all axes	current axis	1/read	-	Get axis mode word
Encoder						
GET_ACTL_POS	37	all axes	current axis	2/read	-	Get current actual axis location
SET_CAPT_INDEX	64	all axes	current axis	0	no	Set index signal as position capture trigger
SET_CAPT_HOME	65	all axes	current axis	0	no	Set home signal as position capture trigger
GET_CAPT	36	all axes	current axis	2/read	-	Get current axis position capture location
SET_STEP_RATIO	68	all axes	current axis	1/write	no	Set number of encoder counts per step
GET_STEP_RATIO	6f	all axes	current axis	1/read	-	Get number of encoder counts per step
SET_AUTO_STOP_ON	45	all axes	current axis	0	no	Set auto stop on motion error mode on
SET_AUTO_STOP_OFF	44	all axes	current axis	0	no	Set auto stop on motion error mode off
SET_POS_ERR	29	all axes	current axis	1/write	no	Set maximum position error limit
GET_POS_ERR	55	all axes	current axis	1/read	-	Get maximum position error limit
GET_ACTL_POS_ERR	60	all axes	current axis	1/read	-	Get actual position error
Motor Control						
SET_OUTPUT_PWM	3c	all axes	global	0	no	Set motor output mode to PWM
SET_OUTPUT_DAC16	3b	all axes	global	0	no	Set motor output mode to 16-bit DAC
MTR_ON	43	all axes	current axis	0	no	Enable profile generator
MTR_OFF	42	all axes	current axis	0	no	Disable profile generator
SET_MTR_CMD	62	all axes	current axis	1/write	no	Write direct value to motor output
GET_MTR_CMD	3a	all axes	current axis	1/read	-	Read motor output command
SET_BUF_MTR_CMD	77	all axes	current axis	1/write	yes	Write double buffered motor cmd output
GET_BUF_MTR_CMD	69	all axes	current axis	1/read	-	Get double buffered motor command value
GET_OUTPUT_MODE	6e	all axes	global	1/read	-	Get current output mode
Miscellaneous						
SET_ACTL_POS	4d	all axes	current axis	2/write	no	Set axis position
SET_LMT_SENSE	66	all axes	global	1/write	no	Set limit switch bit sense
GET_LMT_SWTCH	67	all axes	global	1/read	-	Get state of limit switches
LMTS_ON	70	all axes	global	0	no	Set limit switch sensing on
LMTS_OFF	71	all axes	global	0	no	Set limit switch sensing off
GET_HOME	05	all axes	global	1/read	-	Get state of home switches
RESET	39	all axes	global	0	no	Reset chipset
GET_VRSN	6c	all axes	global	1/read	-	Get chipset software version information
GET_TIME	3e	all axes	global	2/read	-	Get current chip set time (# cycles)
Microstepping						
SET_PHASE_2	74	all axes	current axis	0	no	Set waveform to 2-phase
SET_PHASE_3	73	all axes	current axis	0	no	Set waveform to 3-phase
GET_PHASE_INFO	7f	all axes	current axis	1/read	-	Get commutation flags set by host

Command Reference

Each command consists of a single byte, with a command code value as described in the "encoding" description for each command. Data is transmitted to/from the chip set in 16-bit words. All data is encoded "high to low" i.e. each 16-bit word is encoded high byte first, low byte second, and two word data values are encoded high word first, low word second.

Signed data is represented in two's complement format. In the case of 32-bit quantities, the entire 32-bit number is two's complemented. For example to transmit the decimal number 1,234,567, which has a hexadecimal representation of 12d687, the high word is sent first (12 hex) and then the low word is sent (d687 hex). Negative numbers are treated in the same way. For example to transmit the decimal number -746,455, which has a hexadecimal value of fff49c29, then the high word is transmitted first (fff4 hex.) followed by the low word (9c29 hex.).

Some chipset quantities such as position are provided with 'unity scaling', meaning that the value provided is used by the chipset without internal scaling.

Other chipset quantities are scaled by various constants to allow a more useful operating range. The non-unity scaling constants that are used by the chipset are either $1/2^{16}$ or $1/2^{32}$.

If $1/2^{16}$ scaling is used then the chipset expects a number which has been scaled by a factor of 65,536 from the 'user' units. For example to specify a velocity (SET_VEL command) of 2.75 usteps/cycle time, 2.75 is multiplied by 65,536 and the result is sent to the chipset as a 32 bit integer (180,224 dec. or 2c000 hex.). $1/2^{16}$ scaling is used with 16 bit as well as 32 bit quantities. The size of the data word does not affect how the scaling is performed.

If $1/2^{32}$ scaling is indicated the chipset expects a number which has been scaled by a factor of 4,294,967,296. For example to specify a jerk value (SET_JERK command) of .0075 usteps/cycle time³, .0075 is multiplied by 4,294,967,296 and the result is sent to the chipset as a 32 bit integer (32,212,256 dec. or 1eb8520 hex).

All transmissions to/from the chip set are checksummed. The checksum is a 16-bit quantity that can be read at the end of each command transmission. The checksum value consists of the 16-bit sum of all 16-bit transmissions to or from the chip set, including the command byte which occupies the low byte of the first 16-bit transmission word. For example if a SET_VEL command (which takes two 16-bit words of data) was sent with a data value of fedcba98 (hex), the checksum would be:

```

0011 (code for SET_VEL command)
+ fedc (high data word)
+ ba98 (low data word)
-----
1b985
check sum = b985 (keep bottom 16 bits only)

```

The following hex code commands are reserved for future use, or are currently used during manufacturing/test. They return a valid checksum, although they should not be used during normal chipset operations. The hex command codes are: 49, 4e

The following hex code commands are illegal, and will return a checksum of 0. They should not be used during normal chipset operations. The hex command codes are: 00, 03, 04, 22, 80 through ff

Unless otherwise noted, all numerical values presented in this command summary are in decimal.

Axis Control

SET_1	Set current axis to #1
Data/direction:	1/read
Encoding:	01 (hex)
Axis acted on:	set by command
Available on:	all axes
Double buffered:	No

SET_1 changes the current axis number to 1. All commands that operate on the current axis will be affected by this command. The status of axis #1 is returned. See GET_STATUS command for the status word format.

SET_2	Set current axis to #2
Data/direction:	1/read
Encoding:	02 (hex)
Axis acted on:	set by command
Available on:	all axes
Double buffered:	No

SET_2 changes the current axis number to 2. All commands that operate on the current axis will be affected by this command. The status of the axis #2 is returned. See GET_STATUS command for the status word format.

SET_I	Set current axis to interrupting axis
Data/direction:	1/read
Encoding:	08 (hex)
Axis acted on:	interrupting axis
Available on:	all axes
Double buffered:	No

SET_I changes the current axis number to the interrupting axis, which is the axis that has caused the host interrupt to become active. All commands that operate on the current axis will be affected by this command. The status of the interrupting axis is returned. See GET_STATUS command for the status word format.

Profile Generation

SET_PRFL_S_CRV Set profile mode to S-curve point to point

Data/direction: none
 Encoding: 0b (hex)
 Axis acted on: current axis
 Available on: all axes
 Double buffered: No

SET_PRFL_S_CRV sets the trajectory profile mode to S-curve point to point. In this mode, the host specifies the destination position (SET_POS cmd), the maximum velocity (SET_VEL cmd) the maximum acceleration (SET_MAX_ACC cmd), and the jerk (SET_JERK cmd). Once in this mode, the trajectory profile generator will drive the axis to the destination position at the specified jerk while not exceeding the maximum velocity and max. acceleration. The axis will stay in this profile mode until another profile mode is explicitly set.

While in this profile mode, no parameters should be changed while the axis is in motion.

Before setting the current profile mode to S-curve point to point, the axis should be completely at rest.

SET_PRFL_TRAP Set profile mode to trapezoidal point to point

Data/direction: none
 Encoding: 09 (hex)
 Axis acted on: current axis
 Available on: all axes
 Double buffered: No

SET_PRFL_TRAP sets the trajectory profile mode to trapezoidal point to point. In this mode, the host specifies the destination position (SET_POS cmd), the maximum velocity (SET_VEL cmd), the starting velocity (SET_START_VEL cmd), and the acceleration (SET_ACC cmd). Once in this mode, the trajectory profile generator will drive the axis to the destination position at the specified acceleration while not exceeding the maximum velocity. Position and velocity may be changed on the fly when in this profile mode; acceleration and starting velocity may not. The axis will stay in this profile mode until another profile mode is explicitly set.

Before setting the current profile mode to trapezoidal point to point, the axis should be completely at rest.

While in this mode, the acceleration should not be changed until the axis has come to a stop.

SET_PRFL_VEL Set profile mode to velocity contouring.

Data/direction: none
 Encoding: 0a (hex)
 Axis acted on: current axis
 Available on: all axes
 Double buffered: No

SET_PRFL_VEL sets the trajectory profile mode to velocity contouring. In this mode the host specifies the command acceleration (SET_ACC cmd), the starting velocity (SET_START_VEL cmd), and the maximum velocity (SET_VEL cmd). Once in this mode, the trajectory profile generator will drive the axis at the specified acceleration while not exceeding the maximum velocity. The acceleration and the maximum velocity may be changed on the fly. The starting velocity may not. The axis will stay in this profile mode until another profile mode is explicitly set. There are no limitations on changing the profile mode to velocity contouring while the axis is in motion.

There are no host-specified limits on the position in this mode. It is the responsibility of the host to specify profile parameters that maintain the axis within safe position limits.

SET_PRFL_GEAR Set profile mode to electronic gear

Data/direction: none
 Encoding: 0c (hex)
 Axis acted on: current axis
 Available on: all axes
 Double buffered: No

SET_PRFL_GEAR, sets the trajectory profile mode to electronic gear. In this mode the host specifies the gear ratio (SET_RATIO cmd). Once in this mode the trajectory profile generator will drive the current (slave) axis to the position specified by the master axis factored by the specified gear ratio. The gear ratio may be changed on the fly. The axis will stay in this profile mode until another profile mode is explicitly set.

This command will only function properly when an encoder is attached.

There are no host-specified limits to axis motion in this mode. It is the responsibility of the host to specify a gear ratio that maintains the axis within safe motion limits.

SET_POS Set command position

Data/direction 2/write
 Encoding: 10 (hex)
 Axis acted on: current axis
 Available on: all axes
 Double buffered: yes

SET_POS sets the final position used during the S-curve and trapezoidal trajectory profile generator modes. The position is specified as a signed 32-bit number with units of usteps. The range is -1,073,741,824 to 1,073,741,823. The loaded position is not utilized until a parameter update occurs.

SET_VEL	Set command velocity
Data/direction:	2/write
Encoding:	11 (hex)
Axis acted on:	current axis
Available on:	all axes
Double buffered:	yes

SET_VEL sets the maximum velocity magnitude used during the S-curve, trapezoidal, and velocity contouring profile modes. The velocity is specified as an unsigned 32-bit number with units of usteps/cycle.

The data word scaling is $1/2^{16}$. The range is 0 to +1,073,741,823. The loaded velocity is not utilized until a parameter update occurs.

SET_ACC	Set command acceleration
Data/direction:	2/write
Encoding:	12 (hex)
Axis acted on:	current axis
Available on:	all axes
Double buffered:	yes

SET_ACC sets the command acceleration. When in trapezoidal point-to-point mode, the acceleration is specified as an unsigned 32-bit number with units of usteps/cycle^2 , represented using $1/2^{16}$ scaling. The range is 0 to +1,073,741,823. When in the velocity contouring mode, the acceleration is specified as a signed 32-bit number with units of usteps/cycle^2 , represented in $1/2^{16}$ format. The range is -1,073,741,824 to +1,073,741,823. The loaded acceleration is not utilized until a parameter update occurs.

This command is used when the profile mode is set to trapezoidal point-to-point or velocity contouring.

SET_MAX_ACC	Set maximum acceleration
Data/direction:	1/write
Encoding:	15 (hex)
Axis acted on:	current axis
Available on:	all axes
Double buffered:	yes

SET_MAX_ACC sets the maximum acceleration. The acceleration is specified as an unsigned 16-bit number with units of usteps/cycle^2 represented using $1/2^{16}$ scaling. The range is 0 to +1,073,741,823. The loaded max. acceleration is not utilized until a parameter update occurs.

This command is used when the profile mode is set to S-curve point to point.

SET_JERK	Set command jerk
Data written:	2 words
Data read:	none
Encoding:	13 (hex)
Axis acted on:	current axis
Available on:	all axes
Double buffered:	yes

SET_JERK sets the command jerk used during the S-curve profile generation mode. The jerk is specified as an unsigned 32-bit number with units of usteps/cycle^3 . The scaling is $1/2^{32}$. The range is 0 to 2,147,483,647. The loaded jerk is not utilized until a parameter update occurs.

SET_RATIO	Set command gear ratio
Data/direction:	2/write
Encoding:	14 (hex)
Axis acted on:	current axis
Available on:	all axes
Double buffered:	yes

SET_RATIO sets the electronic gear ratio used by the trajectory profile generator. It is used when the profile mode is set to electronic gear. The gear ratio is specified as a signed 32-bit number with $1/2^{16}$ scaling. The range is -1,073,741,824 to +1,073,741,823. The specified ratio value is defined as the number of microsteps per encoder count with a positive number indicating motion in the same direction. For example a value of +8000 hex (1/2) will result in 1 microstep in the positive direction for each two encoder counts in the positive direction, and a value of -FFFE0000 hex (-2) will result in 2 microsteps in the negative direction for each encoder count in the positive direction. The loaded ratio is not utilized until a parameter update occurs.

This command will only function properly when an encoder is attached.

SET_START_VEL	Set starting velocity
Data/direction:	2/write
Encoding:	6a (hex)
Axis acted on:	current axis
Available on:	all axes
Double buffered:	no

SET_START_VEL sets the minimum allowed velocity. This command is used during the trapezoidal and velocity contouring profile modes, and is useful in conjunction with systems that may be induced to oscillate if operated at too low a speed. The starting velocity is specified as an unsigned 32-bit number with units of usteps/cycle. The data word scaling is $1/2^{16}$. The range is 0 to +1,073,741,823.

The starting velocity must always be smaller than the maximum velocity set using the SET_VEL command.

This command is not used with the S-curve and electronic gear profile modes.

The starting velocity parameter is not double buffered. It takes affect immediately, not after an UPDATE command.

STOP	Abruptly stop current axis motion
Data/direction:	none
Encoding:	46 (hex)
Axis acted on:	current axis
Available on:	all axes
Double buffered:	yes

STOP, also known as CLR_PRFL in earlier chipset versions, stops the current axis by setting the target velocity to zero. This function will not be performed until a parameter update occurs. After the update occurs the axis trajectory generator will stop and the motion complete bit will be set. This command is useful for stopping the axis abruptly.

SMOOTH_STOP	Smoothly stop current axis motion
Data/direction:	none
Encoding:	4e (hex)
Axis acted on:	current axis
Available on:	all axes
Double buffered:	yes

SMOOTH_STOP stops the current axis by setting the desired velocity to zero, resulting in a controlled deceleration of the axis eventually to a velocity of 0. The deceleration profile will mirror the acceleration profile for the current profile mode. For example if the SMOOTH_STOP command is given during an s-curve profile the deceleration profile may have up to three phases, depending on the # of phases during the acceleration profile, and if the SMOOTH_STOP command is given during a trapezoidal profile or a velocity mode profile the deceleration will be linear, with a value equal to the acceleration parameter.

This command does not function when the profile mode is set to Electronic Gear.

SYNCH_PRFL	Set target position equal to the actual position
Data/direction:	none
Encoding:	47 (hex)
Axis acted on:	current axis
Available on:	all axes
Double buffered:	yes

SYNCH_PRFL sets the trajectory profile generator target position (in microsteps) equal to the actual axis position (in encoder counts), clearing the following error. This command is available for all profile types. This function will not be performed until a parameter update occurs.

The SYNCH_PRFL command does not set the target velocity to zero. If it is desired that the axis not move after a SYNCH_PRFL command then a STOP command, in addition to the SYNCH_PRFL command should be used.

GET_POS	Get command position
Data/direction:	2/read
Encoding:	4a (hex)
Axis acted on:	current axis
Available on:	all axes
Double buffered:	-

GET_POS returns the destination position set using the SET_POS command. It returns the double-buffered value (set directly by the host), which may or may not correspond to the active value, depending on whether the profile parameters have been updated. The returned position is a signed 32-bit number with units of usteps.

GET_VEL	Get command velocity
Data/direction:	2/read
Encoding:	4b (hex)
Axis acted on:	current axis
Available on:	all axes
Double buffered:	-

GET_VEL returns the maximum velocity set using the SET_VEL command. It returns the double-buffered value (set directly by the host), which may or may not correspond to the active value, depending on whether the profile parameters have been updated. The returned velocity is an unsigned 32-bit number in $1/2^{16}$ format with units of usteps/cycle.

GET_ACC	Get command acceleration
Data/direction:	2/read
Encoding:	4c (hex)
Axis acted on:	current axis
Available on:	all axes
Double buffered:	-

GET_ACC returns the acceleration value set using the SET_ACC command. It returns the double-buffered value (set directly by the host), which may or may not correspond to the active value, depending on whether the profile parameters have been updated. The returned position is either an unsigned 32-bit number in $1/2^{16}$ format with units of usteps/cycle², or a signed 32 bit number in $1/2^{16}$ format with units of usteps/cycle².

This command is used when the profile mode is set to trapezoidal point-to-point or velocity contouring.

GET_MAX_ACC	Get maximum acceleration
Data/direction:	1/read
Encoding:	4f (hex)
Axis acted on:	current axis
Available on:	all axes
Double buffered:	-

GET_MAX_ACC returns the max. acceleration value set using the SET_MAX_ACC command. It returns the double-buffered value (set directly by the host), which may or may not correspond to the active value, depending on whether the profile parameters have been updated. The returned acceleration is an unsigned 16-bit number in $1/2^{16}$ format with units of $\text{usteps}/\text{cycle}^2$.

This command is used when the profile mode is set to S-curve point to point.

GET_JERK	Get command jerk
Data/direction:	2/read
Encoding:	58 (hex)
Axis acted on:	current axis
Available on:	all axes
Double buffered:	-

GET_JERK returns the jerk value set using the SET_JERK command. It returns the double-buffered value (set directly by the host), which may or may not correspond to the active value, depending on whether the profile parameters have been updated. The returned jerk is an unsigned 32-bit number with $1/2^{32}$ scaling with units of $\text{usteps}/\text{cycle}^3$.

GET_RATIO	Get command gear ratio
Data/direction:	2/read
Encoding:	59 (hex)
Axis acted on:	current axis
Available on:	all axes
Double buffered:	-

GET_RATIO returns the gear ratio set using the SET_RATIO command. It returns the double-buffered value (set directly by the host), which may or may not correspond to the active value, depending on whether the profile parameters have been updated. The returned ratio is a signed 32-bit number in $1/2^{16}$ format.

GET_START_VEL	Get starting velocity
Data/direction:	2/read
Encoding:	6b (hex)
Axis acted on:	current axis
Available on:	all axes
Double buffered:	-

GET_START_VEL returns the starting velocity set using the SET_START_VEL command. The returned starting velocity is an unsigned 32-bit number using $1/2^{16}$ scaling with units of $\text{usteps}/\text{cycle}$.

GET_TRGT_POS	Return target position
Data/direction:	2/read
Encoding:	1d (hex)
Axis acted on:	current axis
Available on:	all axes
Double buffered:	-

GET_TRGT_POS returns the current desired position value being generated by the trajectory profile generator. This value represents the target position for the axis at the current cycle time, i.e. the position being output by the trajectory profile generator at the time of the command. This command operates for all profile modes. The value returned is a 32-bit signed number with units of usteps . The range is -1,073,741,824 to 1,073,741,823.

GET_TRGT_VEL	Return target velocity
Data/direction:	2/read
Encoding:	1e (hex)
Axis acted on:	current axis
Available on:	all axes
Double buffered:	-

GET_TRGT_VEL returns the current desired velocity value being generated by the trajectory profile generator. This value represents the target velocity for the axis at the current cycle time, i.e. the velocity being output by the trajectory profile generator at the time of the command. This command operates for all profile modes. The value returned is a 32 bit signed number with units of $\text{usteps}/\text{cycle}$, represented in $1/2^{16}$ format. The range is -1,073,741,824 to +1,073,741,823.

Parameter Update

SET_TIME_BRK	Set break point mode to time based
Data/direction:	none
Encoding:	17 (hex)
Axis acted on:	current axis
Available on:	all axes
Double buffered:	no

SET_TIME_BRK sets the current breakpoint mode to time based. In this mode the value loaded into the breakpoint register (SET_BRK_PNT cmd) will represent the number of cycles since chip set power on. After the SET_TIME_BRK command is executed, at each loop the break point value will be compared against the current chip set time. If the values are equal all double-buffered parameters will be loaded in to the active registers. See GET_TIME cmd for information on the chip set time. After this breakpoint condition has been satisfied, the breakpoint mode is reset i.e. no additional breakpoints will occur until a new breakpoint condition is set.

SET_POS_BRK	Set break point mode to positive target position based
Data/direction:	none
Encoding:	18 (hex)
Axis acted on:	current axis
Available on:	all axes
Double buffered:	no

SET_POS_BRK sets the current breakpoint mode to positive target position based. In this mode the value loaded into the breakpoint register (SET_BRK_PNT cmd) will represent the axis position in usteps. After the SET_POS_BRK command is executed, at each cycle the break point value will be compared against the current axis target position. If the target position has a value equal to or greater than the breakpoint register then all double-buffered parameters will be loaded in to the active registers. After this breakpoint condition has been satisfied, the breakpoint mode is reset i.e. no additional breakpoints will occur until a new breakpoint condition is set.

SET_NEG_BRK	Set break point mode to negative target position based
Data/direction:	none
Encoding:	19 (hex)
Axis acted on:	current axis
Available on:	all axes
Double buffered:	no

SET_NEG_BRK sets the current breakpoint mode to negative target position based. In this mode the value loaded into the breakpoint register (SET_BRK_PNT cmd) will represent the axis position in usteps. After the SET_NEG_BRK command is executed, at each cycle the break point value will be compared against the current axis target position. If the target position has a value equal to or less than the breakpoint register then all double-buffered parameters will be loaded into the active registers. After this breakpoint condition has been satisfied, the breakpoint mode is reset i.e. no additional breakpoints will occur until a new breakpoint condition is set.

SET_ACTL_POS_BRK	Set break point mode to positive actual position based
Data/direction:	none
Encoding:	1b (hex)
Axis acted on:	current axis
Available on:	all axes
Double buffered:	no

SET_ACTL_POS_BRK sets the current breakpoint mode to positive actual position based. In this mode the value loaded into the breakpoint register (SET_BRK_PNT cmd) will represent the axis position in usteps. After the SET_ACTL_POS_BRK command is executed, at each cycle the break point value will be compared against the current axis actual position. If the actual position has a value equal to or greater than the breakpoint register then all double-buffered parameters will be loaded in to the active registers. After this breakpoint condition has been satisfied, the breakpoint mode is reset i.e. no additional breakpoints will occur until a new breakpoint condition is set.

SET_ACTL_NEG_BRK	Set break point mode to negative actual position based
Data/direction:	none
Encoding:	1c (hex)
Axis acted on:	current axis
Available on:	all axes
Double buffered:	no

SET_ACTL_NEG_BRK sets the current breakpoint mode to negative actual position based. In this mode the value loaded into the breakpoint register (SET_BRK_PNT cmd) will represent the axis position in usteps. After the SET_ACTL_NEG_BRK command is executed, at each cycle the break point value will be compared against the current axis actual position. If the actual position has a value equal to or less than the breakpoint register then all double-buffered parameters will be loaded into the active registers. After this breakpoint condition has been satisfied, the breakpoint mode is reset i.e. no additional breakpoints will occur until a new breakpoint condition is set.

SET_MTN_CMPLT_BRK	Set break point mode to motion complete
Data/direction:	none
Encoding:	35 (hex)
Axis acted on:	current axis
Available on:	all axes
Double buffered:	no

SET_MTN_CMPLT_BRK sets the current breakpoint mode to motion complete. In this mode the breakpoint condition is satisfied when the motion complete bit in the axis status word becomes active (axis motion is complete). This breakpoint mode is useful for immediately starting a new profile at the end of the current profile. Once the motion complete bit becomes active all double-buffered parameters will be loaded in to the active registers. After this breakpoint condition has been satisfied, the breakpoint mode is reset i.e. no additional breakpoints will occur until a new breakpoint condition is set.

No 32-bit compare value is required to be loaded when using this breakpoint mode.

It is the responsibility of the host to ensure that the motion complete bit is not set when this breakpoint is initiated.

SET_EXT_BRK	Set break point mode to external
Data/direction:	none
Encoding:	5e (hex)
Axis acted on:	current axis
Available on:	all axes
Double buffered:	no

SET_EXT_BRK sets the current breakpoint mode to external. In this mode the breakpoint condition is satisfied when the home signal for the current axis becomes active (goes low). This breakpoint mode is useful for executing a profile change based on some external signal condition. Once the home signal becomes active all double-buffered parameters will be loaded in to the active registers. After this breakpoint condition

has been satisfied, the breakpoint mode is reset i.e. no additional breakpoints will occur until a new breakpoint condition is set.

No 32-bit compare value is required to be loaded when using this breakpoint mode.

SET_BRK_OFF	Set break point mode off
Data/direction:	none
Encoding:	6d (hex)
Axis acted on:	current axis
Available on:	all axes
Double buffered:	no

SET_BRK_OFF sets the breakpoint mode to "off". Any breakpoint mode that has been set previously (SET_TIME_BRK, SET_POS_BRK, SET_NEG_BRK, SET_ACTL_POS_BRK or SET_ACTL_NEG_BRK) and is still active (the breakpoint condition has not occurred), is disabled with this command. After this command has been executed no additional breakpoints will occur until a new breakpoint condition is set.

SET_BRK_PNT	Set break point comparison value
Data/direction:	2/write
Encoding:	16 (hex)
Axis acted on:	current axis
Available on:	all axes
Double buffered:	no

SET_BRK_PNT sets the breakpoint comparison value. Its contents are interpreted based on the type of breakpoint set; time based (SET_TIME_BRK cmd) or position based (SET_POS_BRK cmd, SET_NEG_BRK cmd, SET_POS_ACTL_BRK cmd, and SET_NEG_ACTL_BRK cmd). When set to time-based the loaded value is compared with the current chip set time at each cycle, and the value loaded is a 32-bit number with units of cycles. When set to position-based the loaded value is compared with the current axis target or actual position at each cycle, and the value loaded is a 32-bit number with units of usteps.

UPDATE	Immediately update parameters
Data/direction:	none
Encoding:	1a (hex)
Axis acted on:	current axis
Available on:	all axes
Double buffered:	no

UPDATE immediately updates all double buffered parameters.

MULTI_UPDATE	Immediately update parameters for multiple axis
Data/direction:	1/write
Encoding:	5b (hex)
Axis acted on:	set by data word
Available on:	all axes
Double buffered:	no

MULTI_UPDATE immediately updates the double-buffered parameters for 1 or more axis simultaneously. For each updated axis, the axis behaves as if a separate UPDATE command had been given for each axis. The associated data word contains a "positive-sense" bit mask for each axis. A one (1) in the axis bit position indicates the axis will be updated. A zero (0) indicates it will not. The following table shows this bit encoding:

Bit #	Axis # updated
0	1
1	2
2-15	unused, must be set to 0

SET_AUTO_UPDATE_ON	Set automatic profile update on
Data/direction:	none
Encoding:	5c (hex)
Axis acted on:	current
Available on:	all axes
Double buffered:	no

SET_AUTO_UPDATE_ON sets the automatic profile update mechanism on. After this command is sent, a satisfied breakpoint condition will result in all of the double-buffered parameters automatically being transferred to the active registers. Once set to this mode, the axis will stay in this mode until explicitly commanded out using the SET_AUTO_UPDATE_OFF command.

SET_AUTO_UPDATE_OFF	Set automatic profile update off
Data/direction:	none
Encoding:	5d (hex)
Axis acted on:	current
Available on:	all axes
Double buffered:	no

SET_AUTO_UPDATE_OFF sets the automatic profile update mechanism off. After this command is sent, a satisfied breakpoint condition will **not** result in the double-buffered parameters automatically being transferred to the active registers. Once set to this mode, the axis will stay in this mode until explicitly commanded out using the SET_AUTO_UPDATE_ON command.

When in this mode, the only way that profile parameters can be updated is through the UPDATE or the MULTI_UPDATE commands.

GET_BRK_PNT	Get break point comparison value
Data/direction:	2/read
Encoding:	57 (hex)
Axis acted on:	current axis
Available on:	all axes
Double buffered:	no

GET_BRK_PNT returns the breakpoint comparison value set using the SET_BRK_PNT command. The returned value is a 32-bit number with units of either cycles or usteps (depending on the current breakpoint mode).

Interrupt Processing

SET_INTRPT_MASK	Set host interrupt mask
Data/direction:	1/write
Encoding:	2f (hex)
Axis acted on:	current axis
Available on:	all axes
Double buffered:	no

SET_INTRPT_MASK sets the interrupt mask so that interrupt events can be individually masked off. When a non-masked interrupt occurs in any axis, the interrupt signal to the host is activated (HostIntrpt pin on I/O chip). The host can choose to ignore or respond to the interrupt. Once an interrupt has been generated, no new interrupts will be generated until a RST_INTRPT command is given, after which the interrupt signal to the host will be cleared, and a new interrupt (on any axis) can be generated. The associated data word is encoded as a field of bits, with each bit representing a possible interrupting condition. A 1 value in the mask bit will cause the corresponding event to generate an interrupt, while a 0 will stop the corresponding event from interrupting the host. The bit encoding is as follows:

Bit #	Event
0	Motion complete
1	position wrap-around
2	update breakpoint reached
3	position capture received
4	motion error
5	positive limit switch
6	negative limit switch
7	command error
8-15	not used, must be set to 0

GET_INTRPT	Return status of the interrupting axis
Data/direction:	1/read
Encoding:	30 (hex)
Axis acted on:	interrupting axis
Available on:	all axes
Double buffered:	-

GET_INTRPT returns the status of the axis that generated a host interrupt. The current axis number will not be changed after executing this command. See GET_STATUS for a definition of the returned status word. If this command is executed when no interrupt condition is present, the status of the current axis will be returned.

If this command is executed when no interrupt condition is present, the command will return the status of the current axis (same as GET_STATUS command).

RST_INTRPT	Reset interrupting condition events
Data/direction:	1/write
Encoding:	32 (hex)
Axis acted on:	interrupting axis
Available on:	all axes
Double buffered:	no

RST_INTRPT resets (clears) the interrupt condition bits for the axis that caused a host interrupt by masking the interrupting axis status word with the specified data word. In addition, the host interrupt signal (HostIntrpt pin on I/O chip) is de-activated. The data word is encoded as a field of bits, with each bit representing a possible interrupting condition. For each status word event bit a 1 value in the specified word will cause the status bit to remain unchanged, while a 0 will reset the corresponding event. The bit encoding is as follows:

Bit #	Event
0	Motion complete
1	position wrap-around
2	breakpoint reached
3	position capture received
4	motion error
5	positive limit switch
6	negative limit switch
7	command error
8-15	not used, may be set to 0 or 1

If this command is executed when no interrupt condition is present, the command will have no effect.

GET_INTRPT_MASK **Get host interrupt mask**

Data/direction: 1/read
Encoding: 56 (hex)
Axis acted on: current axis
Available on: all axes
Double buffered: no

GET_INTRPT_MASK returns the interrupt mask set by the SET_INTRPT_MASK command. The returned value is a bit-encoded mask, described in the SET_INTRPT_MASK command.

Status/Mode

CLR_STATUS **Clear all event bit conditions**

Data/direction: none
Encoding: 33 (hex)
Axis acted on: current axis
Available on: all axes
Double buffered: no

CLR_STATUS resets (clears) all of the event bit conditions for the axis (bits 0-7 of the status word). The host interrupt line is not affected by this command. This command is useful for clearing all event bits during initialization, or during on-line usage if the interrupt line and associated commands are not being used. For a detailed description of the status word event bits, see the GET_STATUS command.

This command does not affect the status of the host interrupt line, only the status event-bits themselves. To reset the host interrupt line, a RST_INTRPT command must be sent.

RST_STATUS **Reset specific event bit conditions**

Data/direction: 1/write
Encoding: 34 (hex)
Axis acted on: current axis
Available on: all axes
Double buffered: no

RST_STATUS resets (clears) the condition event bits for the current axis, using a data word mask. The data word is encoded as a field of bits, with each bit representing a possible condition event. For each status word event bit a 1 value in the specified data word will cause the status bit to remain unchanged, while a 0 will reset the corresponding event. The bit encoding is as follows:

Bit #	Event
0	Motion complete
1	position wrap-around
2	breakpoint reached
3	position capture received
4	motion error
5	positive limit switch
6	negative limit switch
7	command error
8-15	not used, may be set to 0 or 1

GET_STATUS **Get axis status word**

Data/direction: 1/read
Encoding: 31 (hex)
Axis acted on: current axis
Available on: all axes
Double buffered: -

GET_STATUS returns the status of the current axis. The bit encoding of the returned word is as follows:

Bit #	Event
0	motion complete (1 indicates complete)
1	position wrap-around (1 indicates wrap)
2	update breakpoint reached (1 indicates reached)
3	position capture received (1 indicates capture has occurred)
4	motion error (1 indicates motion error)
5	positive limit switch (1 indicates limit switch trip)
6	negative limit switch (1 indicates limit switch trip)
7	command error (1 indicates command error)
8	motor on/off status (1 indicates on)
9	axis on/off status (1 indicates on)
10	In-motion bit (1 indicates axis is in motion)
11	reserved (may be 0 or 1)
12,13	current axis # (13 bit = high bit, 12 bit = low bit)
14,15	reserved (may be 0 or 1)

Bits 0-7 are set by the chipset, and must be reset by the host (using CLR_STATUS, RST_STATUS, or RST_INTRPT commands). Bits 8, 9, 10, 12, and 13 are continuously maintained by the chipset and are not set or reset by the host.

GET_MODE **Get axis mode word**

Data/direction: 1/read
Encoding: 48 (hex)
Axis acted on: current axis
Available on: all axes
Double buffered: -

GET_MODE returns the mode word for the axis. The bit encoding of the returned word is as follows:

Bit #	Event
0-6	Contains no host-useable information.
7	Stop on motion error mode flag. 1 indicates auto stop is on.
8	Internal use only. Contains no host-useable data
9	Contains no host-useable information
10	Auto update flag. 1 indicates auto update is disabled.

11,12	Trajectory profile mode, encoded as follows:		
	Bit 12	Bit 11	Profile Mode
	0	0	trapezoidal
	0	1	velocity contouring
	1	0	s-curve
1	1	electronic gear	
13-15	Phase # (S-curve profile only). 3-bit word encodes phase #. Bit 15 is MSB, bit 13 is LSB.		

Encoder

GET_ACTL_POS Return actual axis position

Data/direction: 2/read
Encoding: 37 (hex)
Axis acted on: current axis
Available on: all axes
Double buffered: -

GET_ACTL_POS returns the current encoder position of the current axis. The value read is up to date to within a cycle time. The value returned is a 32 bit signed number with units of encoder counts.

SET_CAPT_INDEX Set position capture trigger source to the index signal

Data/direction: none
Encoding: 64 (hex)
Axis acted on: current axis
Available on: all axes
Double buffered: no

SET_CAPT_INDEX sets the high-speed position register trigger source for the current axis to the index signal. When the index is used as the trigger source, it is gated by the A and B quadrature signals (see Pin Descriptions Section of this manual for details).

This command will only function properly when an encoder is attached.

SET_CAPT_HOME Set position capture trigger source to the home signal

Data/direction: none
Encoding: 65 (hex)
Axis acted on: current axis
Available on: all axes
Double buffered: no

SET_CAPT_HOME sets the high-speed position register trigger source to the home signal.

This command will only function properly when an encoder is attached.

GET_CAPT Return high speed capture register

Data/direction: 2/read
Encoding: 36 (hex)
Axis acted on: current axis
Available on: all axes
Double buffered: -

GET_CAPT returns the current value of the high-speed position capture register, as well as resets the capture hardware so that subsequent positions may be captured. The value returned is a 32 bit signed number with units of encoder counts.

This command will only function properly when an encoder is attached.

SET_STEP_RATIO Set number of encoder counts per ustep

Data/direction: none
Encoding: 68 (hex)
Axis acted on: current axis
Available on: all axes
Double buffered: no

SET_STEP_RATIO sets the ratio of encoder counts to output microsteps for the current axis used in conjunction with automatic stall detection. The specified ratio is a 16-bit unsigned number with a range of 0 to 32,767. The formula that should be used to set this value is: $\text{Ratio} = (N_{\text{counts}}/N_{\text{microsteps}}) * 256$. Where N_{counts} is the number of encoder counts per motor rotation, and $N_{\text{microsteps}}$ is the number of output microsteps per motor rotation (12,800 for a 1.8 degree stepper, 3,200 for a 7.2 degree stepper). Using this equation the resultant ratio must be an exact integer.

GET_STEP_RATIO Get number of encoder counts per ustep

Data/direction: none
Encoding: 6f (hex)
Axis acted on: current axis
Available on: all axes
Double buffered: -

GET_STEP_RATIO returns the ratio of encoder counts to output microsteps set using the SET_STEP_RATIO command. The returned value is a 16-bit unsigned number.

SET_AUTO_STOP_ON Enable automatic motor shutdown

Data/direction: none
Encoding: 45 (hex)
Axis acted on: current axis
Available on: all axes
Double buffered: no

SET_AUTO_STOP_ON enables automatic profile generation shutdown upon motion error. In this mode profile generation will be disabled (equivalent to MTR_OFF cmd) when a motion error occurs (see

SET_POS_ERR cmd for more info.). The profile generator can be re-enabled using the MTR_ON cmd.

SET_AUTO_STOP_OFF	Disables automatic motor shutdown
Data/direction:	none
Encoding:	44 (hex)
Axis acted on:	current axis
Available on:	all axes
Double buffered:	no

SET_AUTO_STOP_OFF disables automatic profile generator shutdown upon motion error. In this mode the profile generator will not be disabled when a motion error occurs.

SET_POS_ERR	Set position error limit
Data/direction:	1/write
Encoding:	29 (hex)
Axis acted on:	current axis
Available on:	all axes
Double buffered:	no

SET_POS_ERR sets the position error limit for the automatic stall detection facility. The error is specified as an unsigned 16-bit number with units of encoder counts. The range is 0 to 32,767. At each chipset cycle the magnitude of the position error calculated by the stall detector is compared with the specified position error limit. If the actual position error exceeds the specified value, the motion error status bit is set. In addition, if the axis has been set for automatic motor stop upon motion error, the axis profile generation will be disabled. The loaded maximum position error is utilized immediately. No update is required for this command to take effect.

GET_POS_ERR	Get maximum position error
Data/direction:	1/read
Encoding:	55 (hex)
Axis acted on:	current axis
Available on:	all axes
Double buffered:	-

GET_POS_ERR returns the maximum position error value set using the SET_POS_ERR command. The returned maximum position error value is an unsigned 16-bit number with units of encoder counts.

GET_ACTL_POS_ERR	Return current position error
Data/direction:	1/read
Encoding:	60 (hex)
Axis acted on:	current axis
Available on:	all axes
Double buffered:	-

GET_ACTL_POS_ERR returns the current instantaneous position error of the axis. The returned value represents the difference between the actual position and the target position after the target motion, which has units of microsteps has been converted into encoder counts using the

step ratio parameters (set using SET_STEP_RATIO command). The returned value is a signed 16-bit number with units of encoder counts. The range is -32,768 to +32,767.

Motor

SET_OUTPUT_PWM	Set motor output mode to PWM
Data/direction:	none
Encoding:	3c (hex)
Axis acted on:	global (all axes)
Available on:	all axes
Double buffered:	no

SET_OUTPUT_PWM sets the motor output mode to PWM. PWM mode outputs the motor output value on 2 output signals (sign and magnitude) for each enabled axis. This command affects the output mode for all axes.

SET_OUTPUT_DAC16	Set motor output mode to 16-bit DAC
Data/direction:	none
Encoding:	3b (hex)
Axis acted on:	global (all axes)
Available on:	all axes
Double buffered:	no

SET_OUTPUT_DAC16 sets the motor output mode to 16-bit DAC. This motor output mode uses a 16-bit data bus, along with various control signals to load a DAC value for each enabled axis. This command affects the output mode for all axes.

MTR_ON	Enable profile generation
Data/direction:	none
Encoding:	43 (hex)
Axis acted on:	current axis
Available on:	all axes
Double buffered:	no

MTR_ON enables the profile generator. When the profile generator is enabled, phased sine-wave signals are generated by the trajectory generator and output on the motor output signal lines. When it is disabled the sine-wave position is 'frozen' and no motion can occur until it is enabled.

After a MTR_ON command the pulse generator will be inactive until a trajectory move is made by the host.

MTR_OFF **Disable profile generation**

Data/direction: none
Encoding: 42 (hex)
Axis acted on: current axis
Available on: all axes
Double buffered: no

MTR_OFF disables profile generation. When profile generation is disabled the sine-wave position is 'frozen' and no motion can occur until it is enabled. When the profile generator is enabled, phased sine-wave signals are generated by the trajectory generator and output on the motor output signal lines.

Unless the motor command value is explicitly changed using the SET_MTR_CMD or SET_BUF_MTR_CMD commands, after a MTR_OFF command the motor will hold position

SET_MTR_CMD **Write motor command value**

Data/direction: 1/write
Encoding: 62 (hex)
Axis acted on: current axis
Available on: all axes
Double buffered: no

SET_MTR_CMD loads the motor command register with the specified value. This register controls the amplitude of the microstepping signals that are sent to the motor. The specified motor command is a 16-bit signed number with range -32,767 to +32,767. Regardless of the motor output mode (PWM or DAC16), a value of -32,767 represents the largest negative direction motor level, a value of 0 represents no motor (0) output level, and a value of 32,767 represents the largest positive motor level.

GET_MTR_CMD **Get motor command value**

Data/direction: 1/read
Encoding: 69 (hex)
Axis acted on: current axis
Available on: all axes
Double buffered: -

GET_MTR_CMD returns the value of the motor command register. This value will be equal to the value set after a SET_MTR_CMD command, or after a SET_BUF_MTR_CMD with a subsequent UPDATE command. The returned value is a 16 bit integer.

SET_BUF_MTR_CMD **Write double-buffered value to motor output**

Data/direction: 1/write
Encoding: 77 (hex)
Axis acted on: current axis
Available on: all axes
Double buffered: yes

SET_BUF_MTR_CMD loads the motor command register with the specified value. It is identical to the SET_MTR_CMD except that it requires an UPDATE command for the specified value to take effect.

GET_BUF_MTR_CMD **Get double-buffered motor output value**

Data/direction: 1/read
Encoding: 69 (hex)
Axis acted on: current axis
Available on: all axes
Double buffered: -

GET_BUF_MTR_CMD returns the value set using the SET_BUF_MTR_CMD. The returned value is a 16 bit integer.

GET_OUTPUT_MODE **Get current motor output mode**

Data/direction: 1/read
Encoding: 6e (hex)
Axis acted on: global (all axes)
Available on: all axes
Double buffered: -

GET_OUTPUT_MODE returns the current motor output mode set using the SET_OUTPUT_PWM and SET_OUTPUT_DAC16 commands. The returned 16 bit word contains the motor output mode. The encoding is as follows:

Returned Word Value	Output Mode
0	PWM
1	not used
2	DAC16

Miscellaneous

SET_ACTL_POS **Set actual axis position**

Data/direction: 2/write
Encoding: 4d (hex)
Axis acted on: current axis
Available on: all axes
Double buffered: no

SET_ACTL_POS sets the current actual position (in encoder counts) as well as the current target position (in microsteps) to the specified value. The desired position is specified as a signed 32 bit number with an allowed range of -1,073,741,824 to 1,073,741,823.

This command causes the actual position error to be set to 0.

The loaded position is utilized immediately. No UPDATE is required for the command to take effect.

SET_LMT_SENSE **Set limit switch bit sense**

Data/direction: 1/write
 Encoding: 66 (hex)
 Axis acted on: global (all axes)
 Available on: all axes
 Double buffered: -

SET_LMT_SENSE sets the interpretation of the limit switch input bits. This command provides added flexibility in interfacing to various switch/sensor components. The signal level interpretation for the positive and negative switch inputs are bit-programmable. A 0 in the corresponding bit of the sense word indicates that the input will be active high. A 1 in the sense word indicates that the input will be active low. The sense word is encoded as follows:

Bit #	Description
0	Axis 1 positive limit switch (0 = active high)
1	Axis 1 negative limit switch (0 = active high)
2	Axis 2 positive limit switch (0 = active high)
3	Axis 2 negative limit switch (0 = active high)
4-15	not used (must set to 0)

The above bits are encoded as shown for the MC1241A. For the MC1141A axis 2 is not used.

GET_LMT_SWTCH **Get state of over-travel limit switches**

Data/direction: 1/read
 Encoding: 67 (hex)
 Axis acted on: global (all axes)
 Available on: all axes
 Double buffered: -

GET_LMT_SWTCH returns the value of the limit switch input signals for all valid axis. The returned word is encoded as follows:

Bit #	Description
0	Axis 1 positive limit switch (1 = high)
1	Axis 1 negative limit switch (1 = high)
2	Axis 2 positive limit switch (1 = high)
3	Axis 2 negative limit switch (1 = high)
4-15	not used (set to 0)

The above bits are encoded as shown for the MC1241A. For the MC1141A Axis 2 will always be set to 0.

The values returned by this command are not affected by the SET_LMT_SENSE command.

LMTS_ON **Set limit switch sensing on**

Data/direction: none
 Encoding: 70 (hex)
 Axis acted on: global (all axes)
 Available on: all axes
 Double buffered: -

LMTS_ON turns the limit switch sensing mechanism on. LMTS_ON re-enables limit switch sensing whenever it has been disabled using the LMTS_OFF command.

LMTS_OFF **Set limit switch sensing off**

Data/direction: none
 Encoding: 71 (hex)
 Axis acted on: global (all axes)
 Available on: all axes
 Double buffered: -

LMTS_OFF turns the limit switch sensing mechanism off. LMTS_OFF is used whenever it is desired that limit switch sensing not be active.

This command only disables the automatic setting of the negative and positive limit switch bits in the status word. It does not affect the status of these bits if they have already been set, nor does it affect the GET_LMT_SWTCH command.

GET_HOME **Get state of home signal inputs**

Data/direction: 1/read
 Encoding: 05 (hex)
 Axis acted on: global (all axes)
 Available on: all axes
 Double buffered: -

GET_HOME returns the value of the home signal inputs for all valid axes. The returned word is encoded as follows:

Bit #	Description
0	Axis 1 home signal (1 = high)
1	Axis 2 home signal (1 = high)
2-15	not used (set to 0)

The above bits are encoded as shown for the MC1241A. For the MC1141A Axis 2 will always be set to 0.

RESET **Reset chip set**

Data/direction: none
 Encoding: 39 (hex)
 Axis acted on: global (all axes)
 Available on: all axes
 Double buffered: No

RESET resets the entire chip set. This command performs the same sequence as a hardware reset. At the end of this operation the chip set will be in the default or powerup condition, defined as follows:

Condition	Initial Value
all actual axis positions	0
all capture registers	0
all event conditions	cleared
host interrupt (HostIntrpt) signal	not active
all interrupt masks	0
all profile modes	trapezoidal
all filter modes	PID
all profile parameter values	0
all filter gains	0
all integration limits	32767
all max. position error values	32767
all brkprt comparison values	0
auto update	enabled (on)
all axes status ¹	enabled (on)
all motor status ¹	enabled (on)
all auto stop modes	enabled (on)
limit switch sensing	enabled (on)
limit switch sense register	0 (all active high)
output mode	PWM
all motor output values	0
current axis number	1
cycle time	4 - MC1241A 2 - MC1141A
all waveforms	3-phase
all initial phase offsets	ffff (hex)
all # counts per comm. cycle	0
all phase init methods	algorithmic
all commutation modes	encoder-based
all prescalars	disabled
all phase advance gains	0
Hall sense register	0 (all active high)
all phase init durations	0

After a reset (software or hardware) the chipset requires at least 2 milliseconds before it can accept another host I/O command

GET_VRSN	Return chipset software information
Data/direction:	1read
Encoding:	6c (hex)
Axis acted on:	global (all axes)
Available on:	all axes
Double buffered:	-

GET_VRSN returns various information on the chipset part number and software version. The encoding is as follows:

Bit #	Interpretation
0-2	minor software version
3-4	major software version. Major software versions 2 and above indicate 'A' versions parts
5-7	"dash" version # (no dash = 0, -P = 1)

8-10	part number code 0 = 00 (MC1400-series), 1 = 01 (MC1401-series), 2 = 31 (MC1241-series), 3 = 41 (MC1241-series), 4 = 51 (MC1451-series)
11-13	# axes supported (0 = 1)
14-15	generation # (1)

For example, the returned version code for the MC1401 (version 1.0 software) is 5908 (hex), the returned version code for the MC1201-P (version 1.0 software) is 4928, and the returned version code for the MC1241 (version 1.3 software) is 4a0b

GET_TIME	Return current chip set time.
Data/direction:	2/read
Encoding:	3e (hex)
Axis acted on:	global (all axes)
Available on:	all axes
Double buffered:	-

GET_TIME returns the current system time, expressed as the number of cycles since chip set power on. The chip set clock starts at 0 after a power on or reset and will count indefinitely, wrapping from a value of 4,294,967,295 to 0. The returned value is a 32 bit number with units of cycle times.

Microstepping

SET_PHASE_2	Set waveform mode to 2-phase
Data/direction:	none
Encoding:	74 (hex)
Axis acted on:	global
Available on:	all
Double buffered:	no

SET_PHASE_2 sets the current microstepping waveform to 2-phase. With this waveform the microstepping output signals have a phase separation of 90 degrees, and can be used with standard 2-phase stepper motors.

2-Phase mode is the standard waveform mode for most stepper motors.

SET_PHASE_3	Set waveform to 3-phase
Data/direction:	none
Encoding:	73 (hex)
Axis acted on:	global
Available on:	all
Double buffered:	no

SET_PHASE_3 sets the current microstepping waveform to 3-phase. With this waveform the microstepping output signals have a phase separation of 120 degrees, and can be used with 3-phase stepper motors or 3-phase AC Induction motors.

GET_PHASE_INFO	Get microstepping flags set by host.
Data/direction:	1/read
Encoding:	7f (hex)
Axis acted on:	current axis
Available on:	all
Double buffered:	-

GET_PHASE_INFO returns the state of various microstepping-related flags maintained by the chipset. The returned word is a 16-bit word encoded as follows:

Bit #	Interpretation
0- 2	used internally by chipset
3	Waveform (0 = 3-phase, 1 = 2-phase)
4-15	used internally by chipset

NOTES

Application Notes

Interfacing MC1241A to ISA bus.

A complete, ready-to-use ISA (PC/AT) bus interface circuit has been provided to illustrate MC1241A host interfacing, as well as to make it easier for the customer to build an MC1241-based system.

The interface between the PMD MC1241A chip set and the ISA (PC-AT) Bus is shown on the following page.

Comments on Schematic

This interface uses a 22V10 PAL and a 74LS245 to buffer the data lines. This interface assumes a base address is assigned in the address space of A9-A0. 300-400 hex. These addresses are generally available for prototyping and other system-specific uses without interfering with system assignments. This interface occupies 16 addresses from XX0 to XXF hex though it does not use all the addresses. Two select lines are provided allowing the base address to be set to 340, 350, 370 and 390 hex for the select lines S1, S0 equal to 0, 1, 2, and 3 respectively. The address assignments used are as follows, where BADR is the base address, 340 hex for example:

Address	use
340h	read-write data
342h	write command
344h	read status (HostRdy) [D7 only]
348h	write reset [Data= don't care]

The base address (BADR) is decoded in ADRDEC. It is nanded with SA2:SA3, BADR+0, (B+0) to form -HSEL to select the I/O chip. B+0 nanded with IOR* forms -HRD, host read, directly. The 22V10 tail-bites the write pulse since the setup time is greater than necessary on the bus some of the bus duration is used to generate data hold time at the I/O chip. -HWR, host write is set the first clock after B+0 and IOW* is recognized. The next clock sets TOG and clears -HWR. TOG remains set holding -HWR clear until IOW* is unasserted on the bus indicating the end of the bus cycle. B+4 and IOR* out enables HRDY to SD7 so the status of HRDY may be tested. SD7 is used since the sign bit of a byte may be easily tested. The rest of the data bits are left floating and should be ignored. B+8 and IOW* generate a reset pulse which will init the interface by clearing the two write registers and outputs a reset pulse, -RS, for the CP chip. The reset instruction is OR'd with RESET on the bus to initialize the PMD chip set when the PC is reset.

PWM Motor Interface

Comments on Schematic

The following schematic shows a typical interface circuit between the MC1241A and an amplifier which accepts an analog current command and a separate sign bit.

The A3952 from Allegro Microsystems is an integrated H-bridge package with internal current loop control which provides all TTL and power-level circuitry to form a complete amplifier-on-a-chip. The only other components needed are capacitors and resistors.

The analog current command input to the amplifier chip is constructed by low pass filtering the digital magnitude output signal from the chipset. The sign bit is connected directly from the MC1241A chipset to the amplifier.

The amplifier performs the current control by continuously comparing the analog input signal from the chipset (current command) to the measured current and turning on or off the H-bridge drivers accordingly to maintain the actual current close to the desired current.

Some of the resistor and capacitor values for the circuit may need to be adjusted depending on the particular values for the motor resistance and inductance. In particular the value shown for R7 (.175 Ohm) may change if a maximum current of less than 2 Amps is desired. Other values which may be adjusted are R1 and C1. These adjust the overall PWM frequency (off-time duration) as well as the blanking interval. See the Allegro application notes for more information.

16-Bit Serial DAC Interface

The following schematic shows an interface circuit between the MC1241A and a dual 16-bit serial DAC

Comments on Schematic

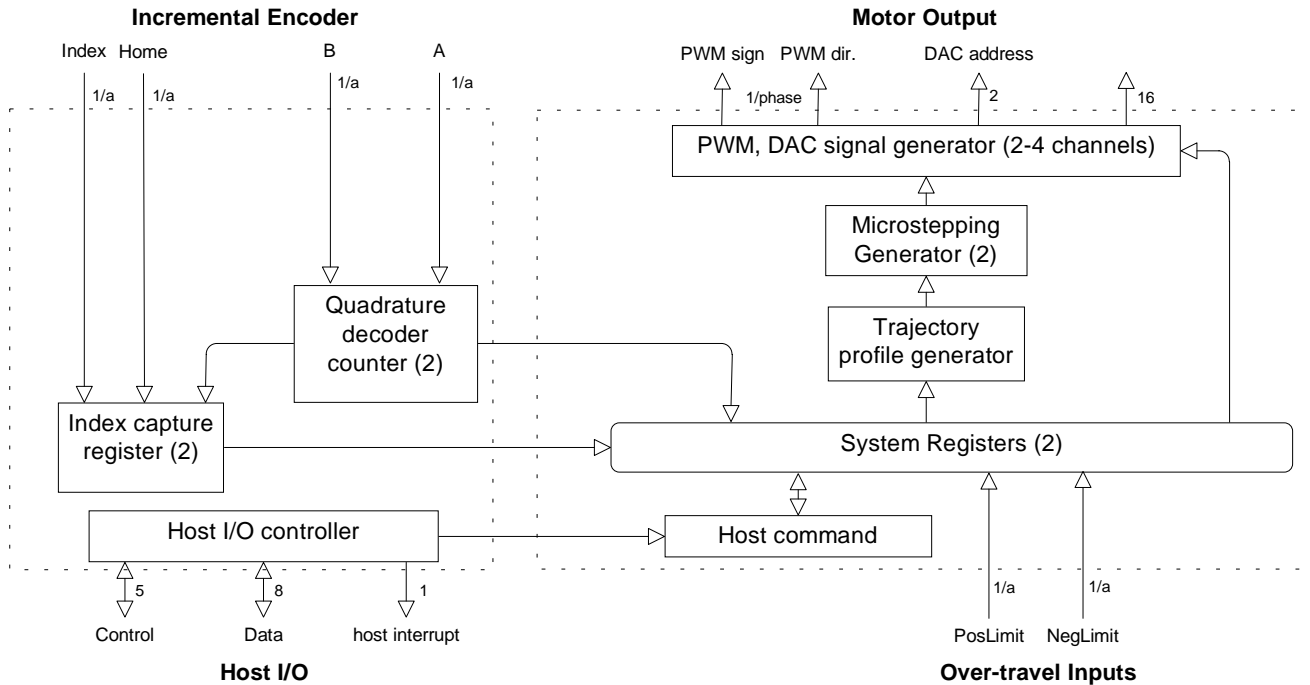
The 16 data bits and the two address bits from the CP chip are latched in the two 74HC821 latches when the CP writes to address F hex, in the address bits A0-A3. Three 74HC373 latches could also be used. If this is a write to the DAC, DACSIct will be asserted during this CPU cycle. The assertion of DACSIct will be latched by the fed-back and-or gate, and the next clock will set the DACWR latch. The second clock will set the second shift flop which will clear the DACL latch. Since this latch has been cleared the third clock will clear DACWR providing a two clock DACWR level. The fourth clock will clear the second shift flop returning the system to its original state waiting for the next DACSIct.

When the DACWR flop is set the 16 bit shift register implemented by the 2 74FCT299's are parallel loaded with the 16 bits of data for the DAC. The 4 bit counter, 74FCT161, is also parallel loaded to 0, and the counter is enabled by clearing the ENP flop, which is contained in half of the 74HCT109. The counter will not start counting nor the shift register start shifting until the clock after the DACWR flop clears since the load overrides the count enable. When the DACWR flop is cleared the shift register will start shifting and the counter will count the shifts. After 15 shifts CNT15 from the counter will go high and the next clock will set the DACLAT flop and clear ENP flop. This will stop the shift after 16 shifts and assert L1 through L4 depending on the address stored in the latch. The 16th clock also was counted causing the counter to roll over to 0 and CNT15 to go low. The next clock will therefore clear the DACLAT flop causing the DAC latch signal L1 through L4 to terminate and the 16 bits of data to be latched in the addressed DAC. The control logic is now back in its original state waiting for the next write to the DACs by the CP.

NOTES

NOTES

Internal Block Diagram



Technical Specifications

Available Configurations:	2 axes with internal microstepping generation (MC1241A) 1 axis with internal microstepping generation (MC1141A)
Operating Modes:	Open loop (uses trajectory generator, microstep generator)
Position Range:	-1,073,741,824 to 1,073,741,823 counts
Velocity Range:	-16,384 to 16,383 usteps/cycle with a resolution of 1/65,536 usteps/cycle
Acceleration Range:	S-curve profile: -1/2 to 1/2 usteps/cycle ² with a resolution of 1/65,536 usteps/cycle ² All other profiles: -16,384 to 16,383 usteps/cycle ² with a resolution of 1/65,536 usteps/cycle ²
Jerk Range:	-1/2 to 1/2 usteps/cycle ³ , with a resolution of 1/4,294,967,296 usteps/cycle ³
Trajectory Profile Generator Modes:	S-curve (host commands final position, maximum velocity, maximum acceleration, and jerk) Trapezoidal (host commands final position, maximum velocity, and acceleration) Velocity contouring (host commands maximum velocity, acceleration)
Electronic Gear Ratio Range:	Electronic Gear (Encoder position used as position command for corresponding stepper axis). 32768:1 to 1:32768 (negative and positive direction)
Microstepping Waveform:	Sinusoidal
# Steps Per Full Step:	64
Microstep lookup rate:	15 kHz
Phasing:	90 degrees (used with 2-phase steppers) 120 degrees (used with 3-phase steppers & AC Induction Motors)
# of Output Phases:	2
PWM Resolution:	8 bits
PWM Frequency:	97.6 kHz
Incremental Encoder Input Signals:	A, B, Index
Maximum Encoder Rate:	1.75 mCounts/sec
Profile Cycle Rate	540 uSec/cycle
# of Limit Switches Per Axis:	2 (one for each direction of travel)
Hardware Position Capture Latency:	160 nSec
Hardware Position Capture Triggers:	Index signal (quadrature A and B must be low) Home signal
# of Host Commands:	80

Chipset

p/n: MC1 41A

↓
2 - 2 axis
1 - 1 axis

Ordering Information

*Custom chipset versions
also available. Call PMD*

Chipset Developer's Kit

p/n: DK1241A*

*(Supports MC1241A and
MC1141A)