

Americas

147 Central Avenue  
 Hackensack, NJ 07601  
 (201) 489-8989  
[www.cml-it.com](http://www.cml-it.com)

Europe

Robert Bunsen Str. 1  
 D-67098 Bad Durkheim  
 +49 (6322) 9567-0  
[www.cml-it.com](http://www.cml-it.com)

***CMDA49xx15D13L Series on Star PCB***  
***CMDA50xx15D13L Series on Square PCB***  
***Power LED (2.5 Watt)***  
***Technical Datasheet***



CMDA49 and CMDA50 Power series is designed for high current operation and high flux output applications. Its thermal management characteristic are better than other LED solutions due to the SMD package design and good thermal emission material.

With these design advantages, it enables the Power LED to be applied in various lighting applications and design solution, automotive, architectural lighting, and large size LCD backlight etc.

**Features**

- Super high Flux output and high Luminance
- Designed for high current operation
- Low thermal resistance
- SMT solderability
- Lead Free product
- RoHS compliant

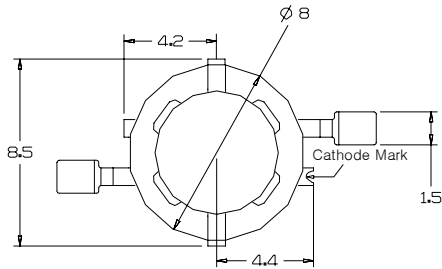
**Application**

- Mobile phone flash
- Automotive interior / exterior lighting
- Automotive signal lighting
- Automotive forward lighting
- General Lighting (Torch)
- Architectural lighting
- LCD TV / Monitor Backlight
- Projector light source
- Traffic Signals
- Task lighting
- Decorative / Pathway lighting
- Remote / Solar powered lighting
- Household appliances

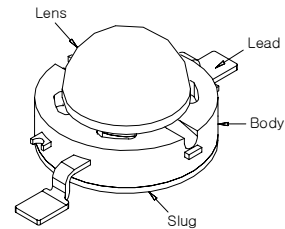
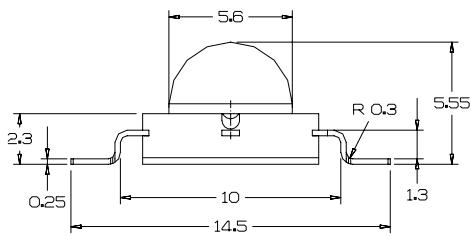
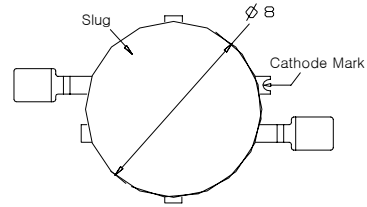
## 1. Outline Dimensions

### Dome Type

TOP VIEW



BOTTOM VIEW



#### Notes :

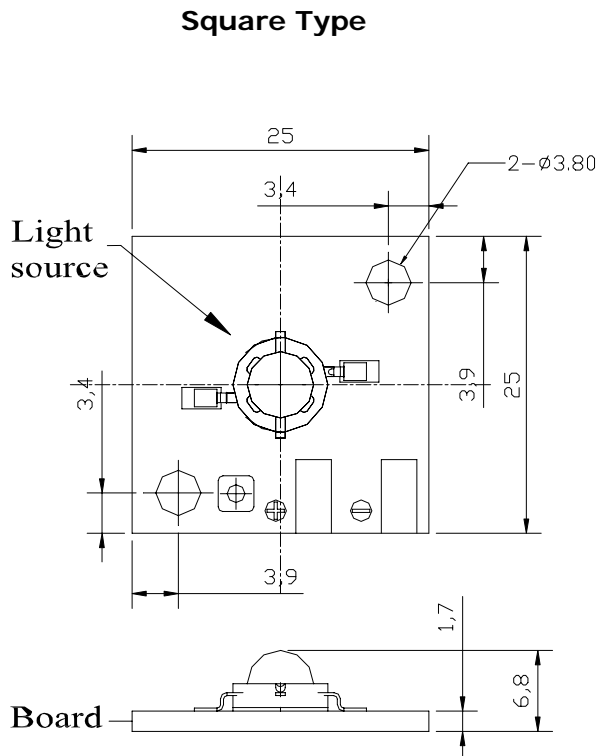
1. All dimensions are in millimeters.
2. Scale : none
3. This drawing without tolerances are for reference only
4. Slug of package is connected to anode.



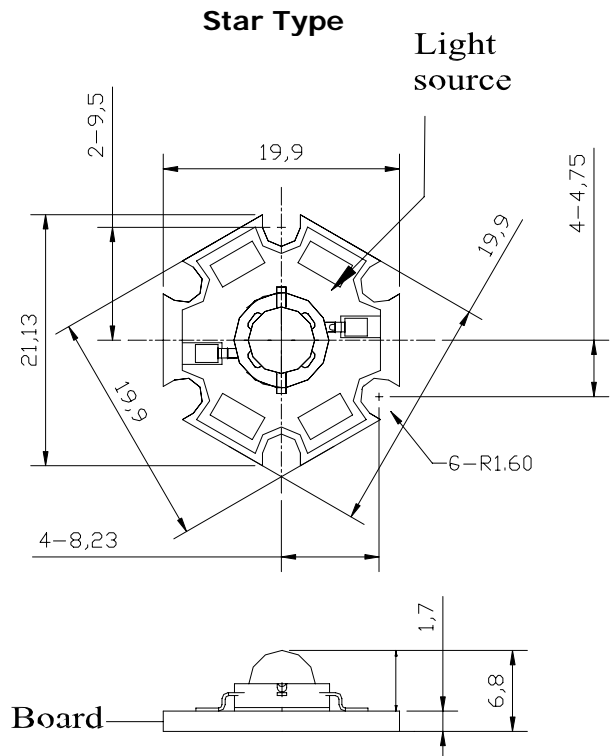
Americas  
 147 Central Avenue  
 Hackensack, NJ 07601  
 (201) 489-8989  
[www.cml-it.com](http://www.cml-it.com)

Europe  
 Robert Bunsen Str. 1  
 D-67098 Bad Durkheim  
 +49 (6322) 9567-0  
[www.cml-it.com](http://www.cml-it.com)

## 2. Metal PCB Outline Dimensions



CMDA50xx15D13L  
Square Configuration



CMDA49xx15D13L  
Star Configuration

### Notes :

1. All dimensions are in millimeters.
2. Scale : none
3. This drawing without tolerances are for reference only



Americas  
147 Central Avenue  
Hackensack, NJ 07601  
(201) 489-8989  
[www.cml-it.com](http://www.cml-it.com)

Europe  
Robert Bunsen Str. 1  
D-67098 Bad Dürkheim  
+49 (6322) 9567-0  
[www.cml-it.com](http://www.cml-it.com)

Americas

147 Central Avenue  
 Hackensack, NJ 07601  
 (201) 489-8989  
[www.cml-it.com](http://www.cml-it.com)

Europe

Robert Bunsen Str. 1  
 D-67098 Bad Durkheim  
 +49 (6322) 9567-0  
[www.cml-it.com](http://www.cml-it.com)

**3. Electro-Optical Characteristics (at IF=350mA, TA=25°C)**

## CMDA49xx15D13L Star PCB series

P/N	Description	Luminous Flux Min./Typ. (lm)	Correlated Color Temperature (Kelvin)	CRI	Dominant Wavelength (nm) Min./Typ./Max.	Forward Voltage (volts) Min./Typ./Max.	View Angle (degrees)	Thermal resistance (°C /W)
	Symbol	ΦV [1]	CCT [3]	Ra	λD	V	2Θ 1/2	Rθ [4]
CMDA49CW15D13L	Pure White	67 / 90	6500	70		3.0 / 3.4 / 4.3	120	9
CMDA49WW15D13L	Warm White	42 / 60	3000	80		3.0 / 3.4 / 4.3	120	9
CMDA49CB15D13L	Blue	8 / 16			455 / 460 / 475	3.0 / 3.4 / 4.3	130	9
CMDA49AG15D13L	Green	54 / 84			520 / 527 / 535	3.0 / 3.4 / 4.3	130	9
CMDA49AR15D13L	Red	54 / 60			620 / 625 / 630	2.0 / 2.5 / 3.0	128	13
CMDA49GB15D13L	Cyan	54 / 71			500 / 505 / 510	3.0 / 3.4 / 4.3	130	9
CMDA49DY15D13L	Amber	54 / 68			585 / 590 / 595	2.0 / 2.5 / 3.0	128	13

**4. Absolute Maximum Ratings (at TA=25°C)**

P/N	Description	Forward Current (A)	Power Dissipation (Watts)	Junction Temperature (°C)	Operating Temperature (°C)	Storage Temperature (°C)
	Symbol	IF	PD	Tj	Topr	Tstg
CMDA49CW15D13L	Pure White	0.8	3.2	125	-30~+85	-40~+120
CMDA49WW15D13L	Warm White	0.8	3.2	125	-30~+85	-40~+120
CMDA49CB15D13L	Blue	0.8	3.2	125	-30~+85	-40~+120
CMDA49AG15D13L	Green	0.8	3.2	125	-30~+85	-40~+120
CMDA49AR15D13L	Red	0.8	2.4	100	-30~+85	-40~+120
CMDA49GB15D13L	Cyan	0.8	3.2	125	-30~+85	-40~+120
CMDA49DY15D13L	Amber	0.8	2.4	100	-30~+85	-40~+120

**\*Notes:**

[1] ΦV is the total luminous flux output as measured with an integrating sphere.

[2] Zener diode chip included to protect the LED from ESD.

[3] Rθ is measured with a metal core PCB (25 °C ≤TJ ≤ 125 °C).

[4] CML maintains a tolerance of ± 10% on flux and power measurements.

[5] CCT ± 5% tester tolerance.

[6] Color Coordinate Measurement allowance is ± 0.005

[7] A tolerance of ± 0.006V on forward voltage measurements

-----Caution-----

Please do not drive at rated current more than 5 sec. without proper heat sink

Americas

147 Central Avenue  
 Hackensack, NJ 07601  
 (201) 489-8989  
[www.cml-it.com](http://www.cml-it.com)

Europe

Robert Bunsen Str. 1  
 D-67098 Bad Durkheim  
 +49 (6322) 9567-0  
[www.cml-it.com](http://www.cml-it.com)

**5. Electro-Optical Characteristics (at IF=350mA, TA=25°C)****CMDA50xx15D13L Square PCB series**

P/N	Description	Luminous Flux Min./Typ. (lm)	Correlated Color Temperature (Kelvin)	CRI	Dominant Wavelength (nm) Min./Typ./Max.	Forward Voltage (volts) Min./Typ./Max.	View Angle (degrees)	Thermal resistance (°C /W)
	Symbol	ΦV [1]	CCT [3]	Ra	λD	V	2Θ 1/2	Rθ [4]
CMDA50CW15D13L	Pure White	67 / 90	6500	70		3.0 / 3.4 / 4.3	120	9
CMDA50WW15D13L	Warm White	42 / 60	3000	80		3.0 / 3.4 / 4.3	120	9
CMDA50CB15D13L	Blue	8 / 16			455 / 460 / 475	3.0 / 3.4 / 4.3	130	9
CMDA50AG15D13L	Green	54 / 84			520 / 527 / 535	3.0 / 3.4 / 4.3	130	9
CMDA50AR15D13L	Red	54 / 60			620 / 625 / 630	2.0 / 2.5 / 3.0	128	13
CMDA50GB15D13L	Cyan	54 / 71			500 / 505 / 510	3.0 / 3.4 / 4.3	130	9
CMDA50DY15D13L	Amber	54 / 68			585 / 590 / 595	2.0 / 2.5 / 3.0	128	13

**6. Absolute Maximum Ratings (at TA=25°C)**

P/N	Description	Forward Current (A)	Power Dissipation (Watts)	Junction Temperature (°C)	Operating Temperature (°C)	Storage Temperature (°C)
	Symbol	I <sub>F</sub>	P <sub>D</sub>	T <sub>J</sub>	T <sub>opr</sub>	T <sub>stg</sub>
CMDA50CW15D13L	Pure White	0.8	3.2	125	-30~+85	-40~+120
CMDA50WW15D13L	Warm White	0.8	3.2	125	-30~+85	-40~+120
CMDA50CB15D13L	Blue	0.8	3.2	125	-30~+85	-40~+120
CMDA50AG15D13L	Green	0.8	3.2	125	-30~+85	-40~+120
CMDA50AR15D13L	Red	0.8	2.4	100	-30~+85	-40~+120
CMDA50GB15D13L	Cyan	0.8	3.2	125	-30~+85	-40~+120
CMDA50DY15D13L	Amber	0.8	2.4	100	-30~+85	-40~+120

**\*Notes:**

[1] ΦV is the total luminous flux output as measured with an integrating sphere.

[2] Zener diode chip included to protect the LED from ESD.

[3] Rθ is measured with a metal core PCB (25 °C ≤T<sub>J</sub> ≤ 125 °C).

[4] CML maintains a tolerance of ± 10% on flux and power measurements.

[5] CCT ± 5% tester tolerance.

[6] Color Coordinate Measurement allowance is ± 0.005

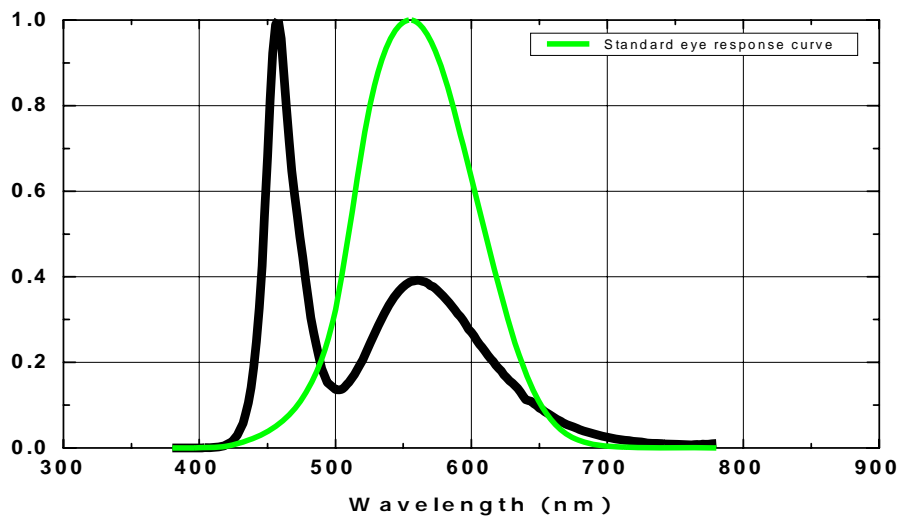
[7] A tolerance of ± 0.006V on forward voltage measurements

-----**Caution**-----

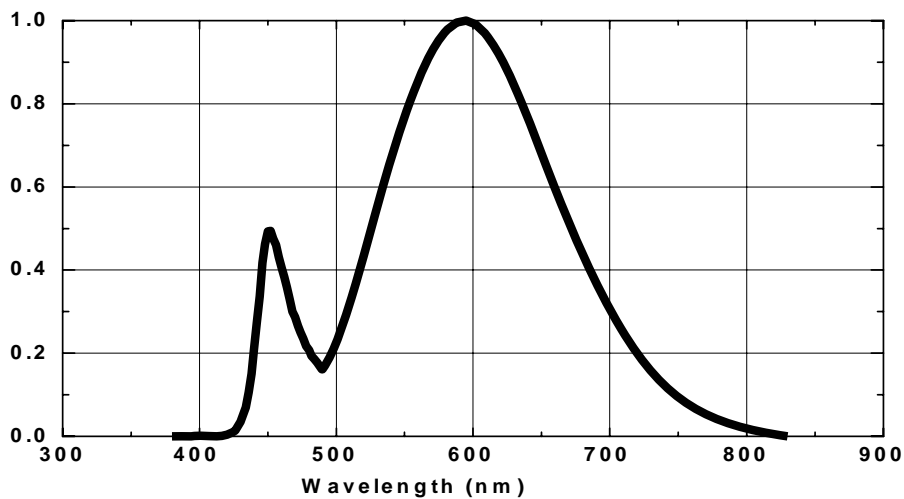
**Please do not drive at rated current more than 5 sec. without proper heat sink**

## White color spectrum, $T_A=25^\circ\text{C}$

### 1. Pure White



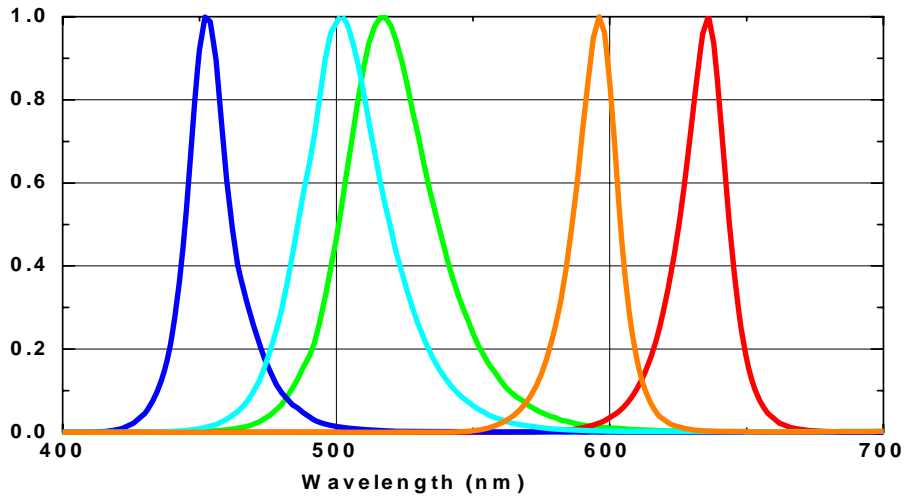
### 2. Warm White



Americas  
 147 Central Avenue  
 Hackensack, NJ 07601  
 (201) 489-8989  
[www.cml-it.com](http://www.cml-it.com)

Europe  
 Robert Bunsen Str. 1  
 D-67098 Bad Durkheim  
 +49 (6322) 9567-0  
[www.cml-it.com](http://www.cml-it.com)

### 3. Blue, Cyan, Green, Amber, Red

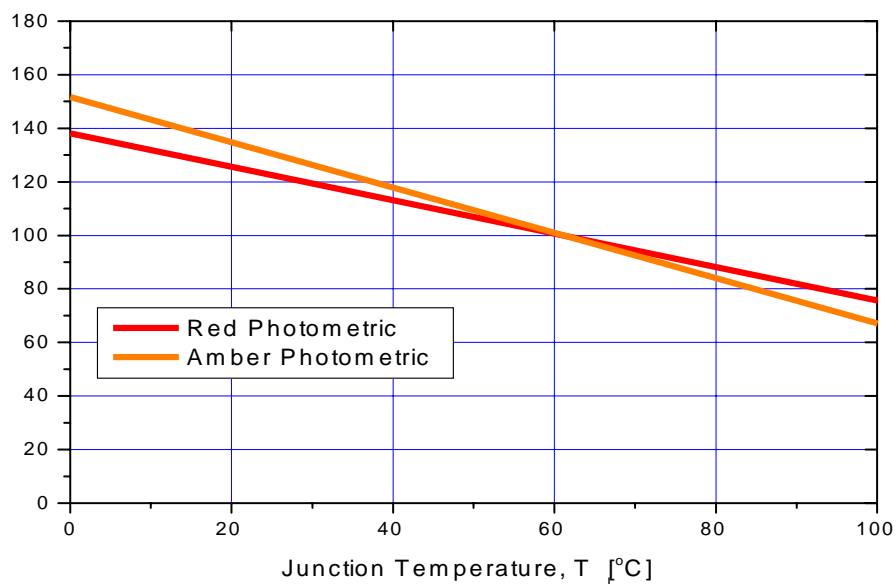
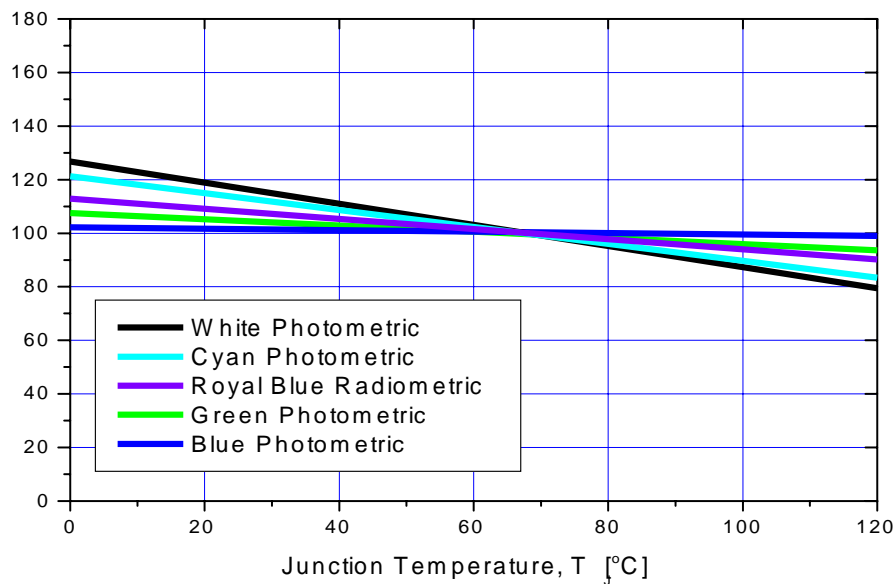


Americas  
147 Central Avenue  
Hackensack, NJ 07601  
(201) 489-8989  
[www.cml-it.com](http://www.cml-it.com)

Europe  
Robert Bunsen Str. 1  
D-67098 Bad Durkheim  
+49 (6322) 9567-0  
[www.cml-it.com](http://www.cml-it.com)

## Light Output Characteristics

### 1. Relative Light Output vs. Junction Temperature at $I_F=700\text{mA}$ , $T_A=25^\circ\text{C}$



Americas  
 147 Central Avenue  
 Hackensack, NJ 07601  
 (201) 489-8989  
[www.cml-it.com](http://www.cml-it.com)

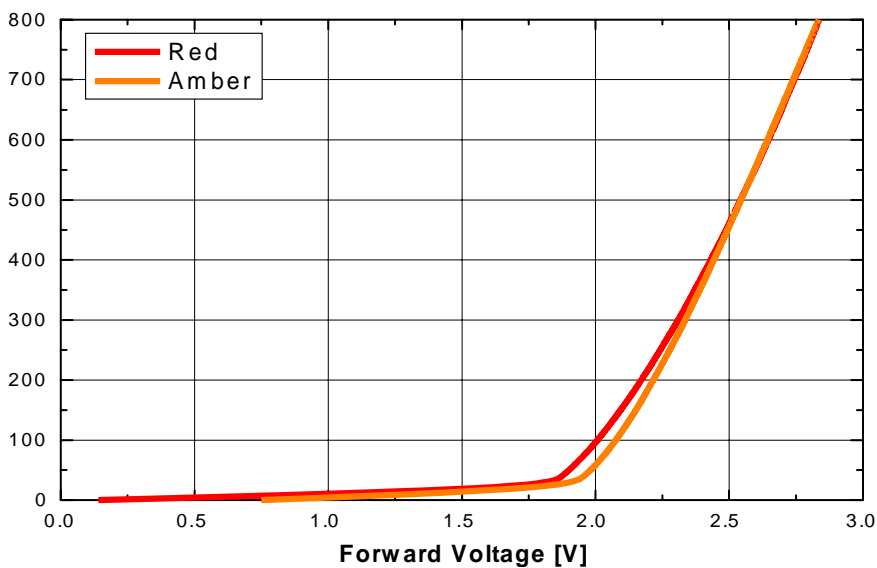
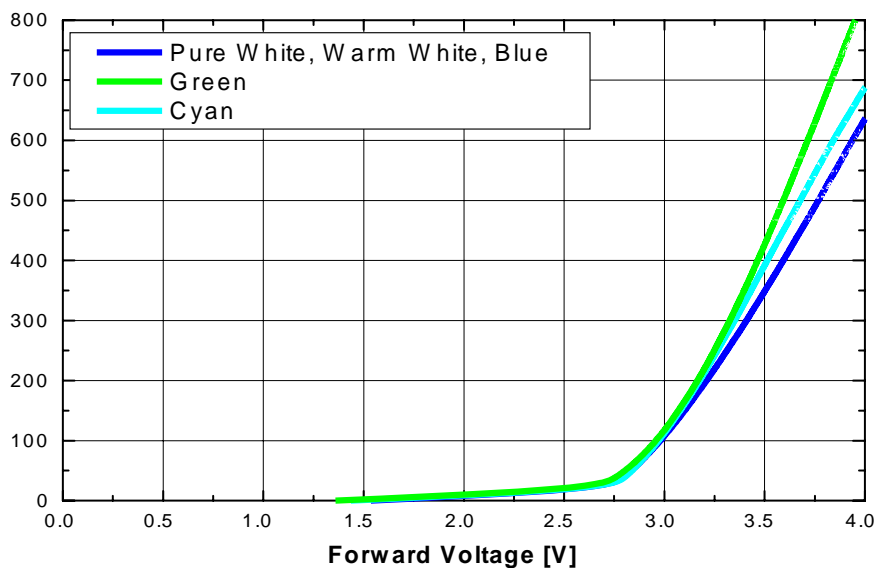
Europe  
 Robert Bunsen Str. 1  
 D-67098 Bad Dürkheim  
 +49 (6322) 9567-0  
[www.cml-it.com](http://www.cml-it.com)

www.DataSheet4U.com



## Forward Current Characteristics

### 1. Forward Voltage vs. Forward Current, $T_A=25^\circ\text{C}$

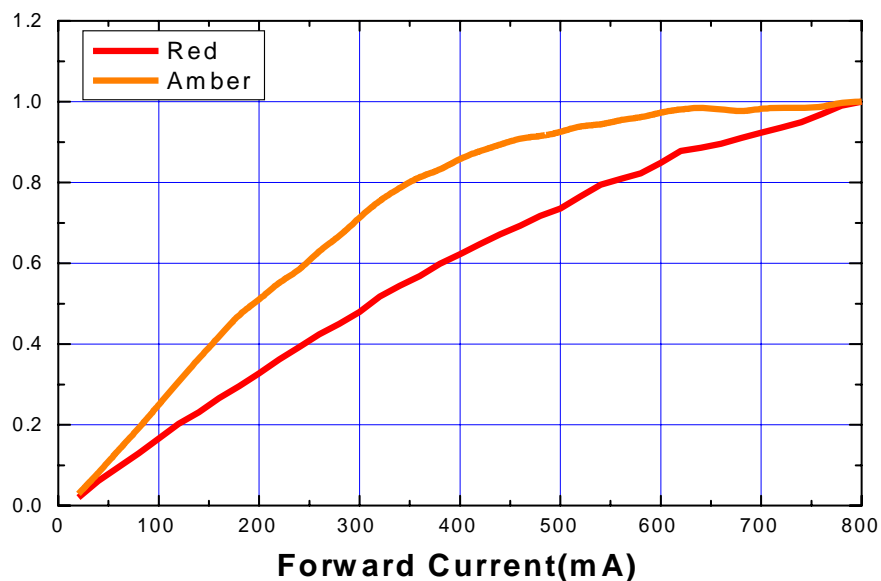
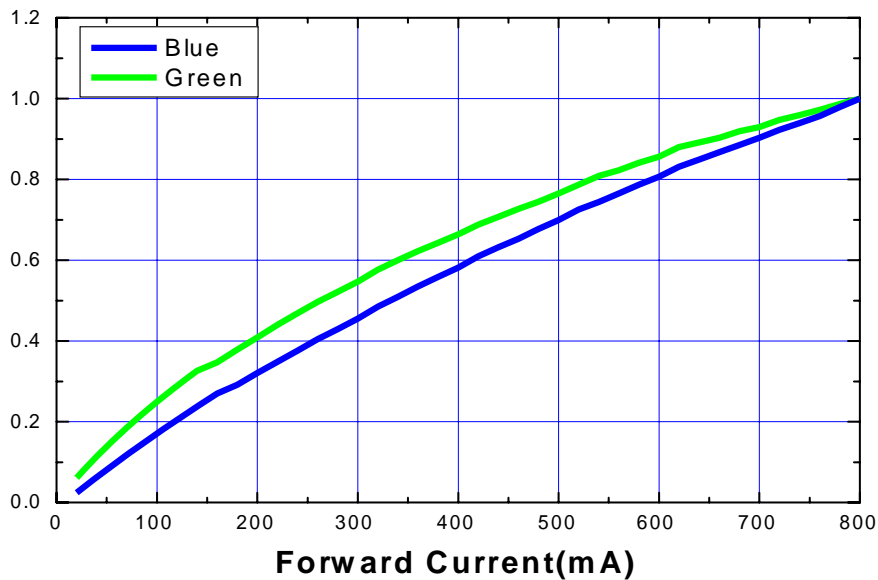


Americas  
 147 Central Avenue  
 Hackensack, NJ 07601  
 (201) 489-8989  
[www.cml-it.com](http://www.cml-it.com)

Europe  
 Robert Bunsen Str. 1  
 D-67098 Bad Dürkheim  
 +49 (6322) 9567-0  
[www.cml-it.com](http://www.cml-it.com)

[www.DataSheet4U.com](http://www.DataSheet4U.com)

## 2. Forward Current vs. Normalized Relative Luminous Flux, $T_A=25^\circ\text{C}$



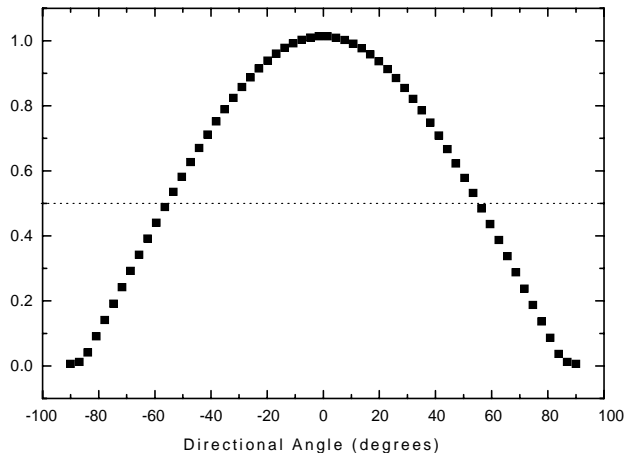
Americas  
 147 Central Avenue  
 Hackensack, NJ 07601  
 (201) 489-8989  
[www.cml-it.com](http://www.cml-it.com)

Europe  
 Robert Bunsen Str. 1  
 D-67098 Bad Durkheim  
 +49 (6322) 9567-0  
[www.cml-it.com](http://www.cml-it.com)

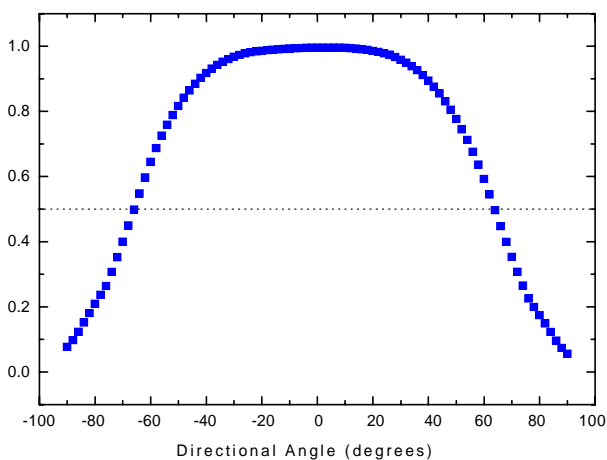
[www.DataSheet4U.com](http://www.DataSheet4U.com)

## Typical Dome Type Radiation pattern

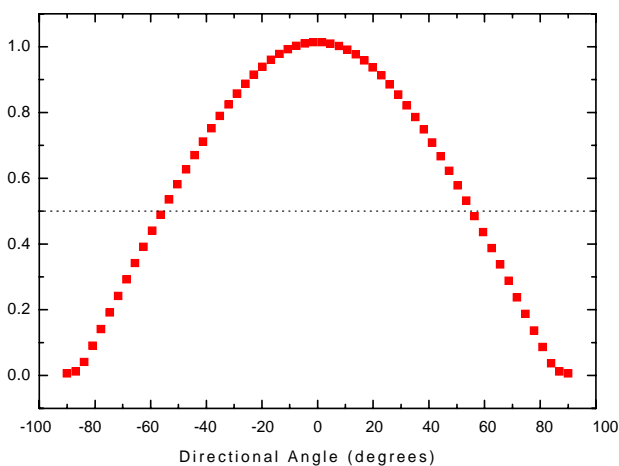
### 1. Pure White, Warm White



### 2. Royal Blue, Blue, Cyan, Green

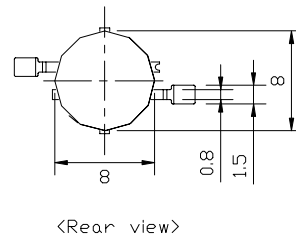
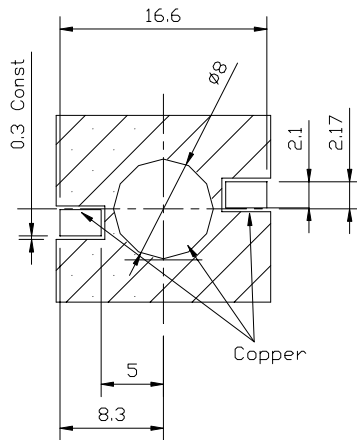
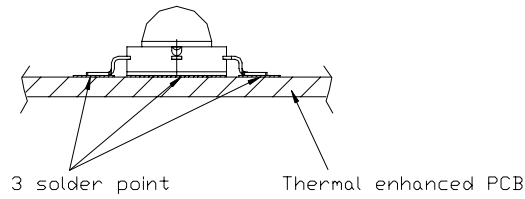


### 3. Amber, Red

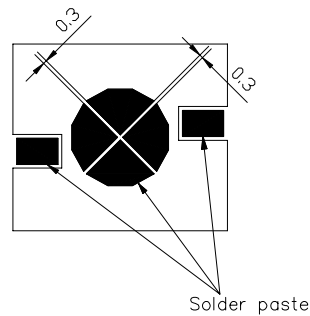


## Recommended Soldering

### 1. Solder pad



### 2. Solder paste pattern



1. Paste thickness : 0.2mm

Note :

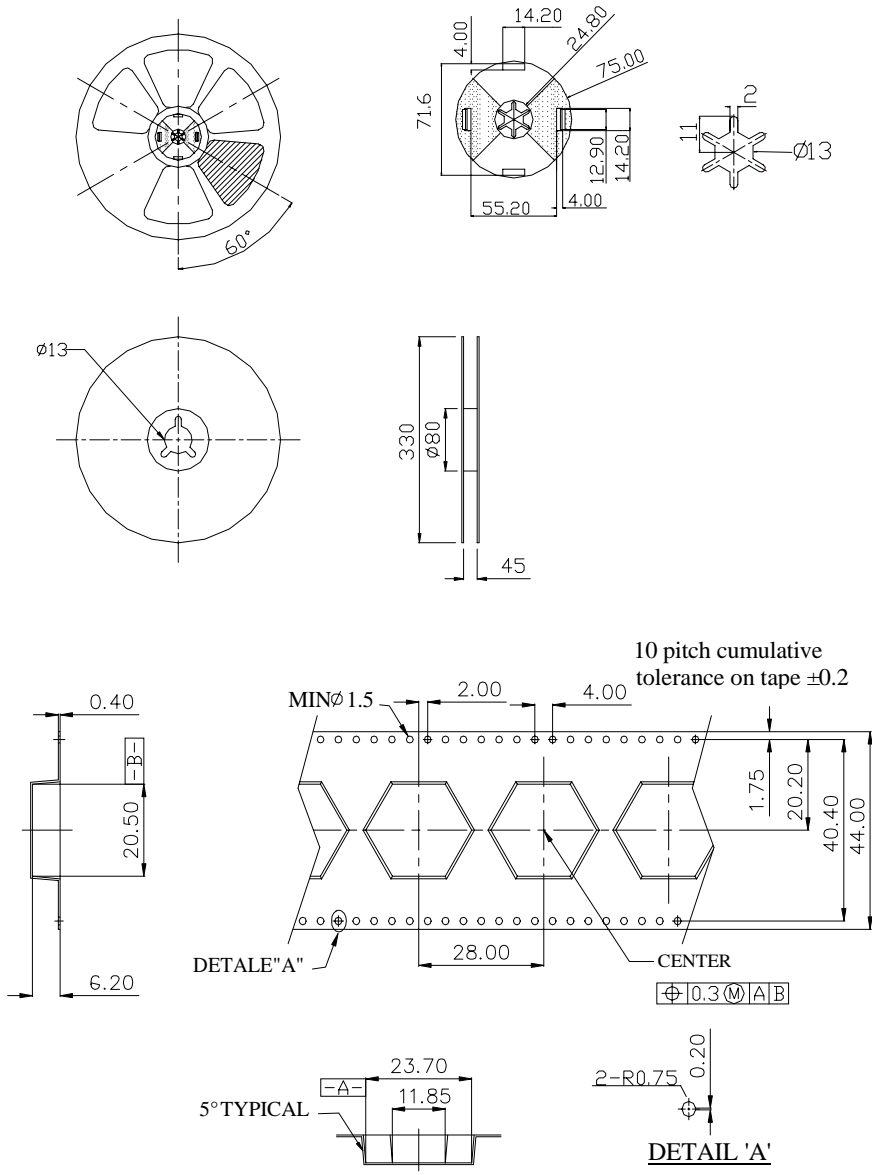
1. All dimensions are in millimeters
2. Scale none
3. This drawing without tolerances are for reference only



Americas  
147 Central Avenue  
Hackensack, NJ 07601  
(201) 489-8989  
[www.cml-it.com](http://www.cml-it.com)

Europe  
Robert Bunsen Str. 1  
D-67098 Bad Durkheim  
+49 (6322) 9567-0  
[www.cml-it.com](http://www.cml-it.com)

# 16. Reel Packaging Dimensions (Star type)



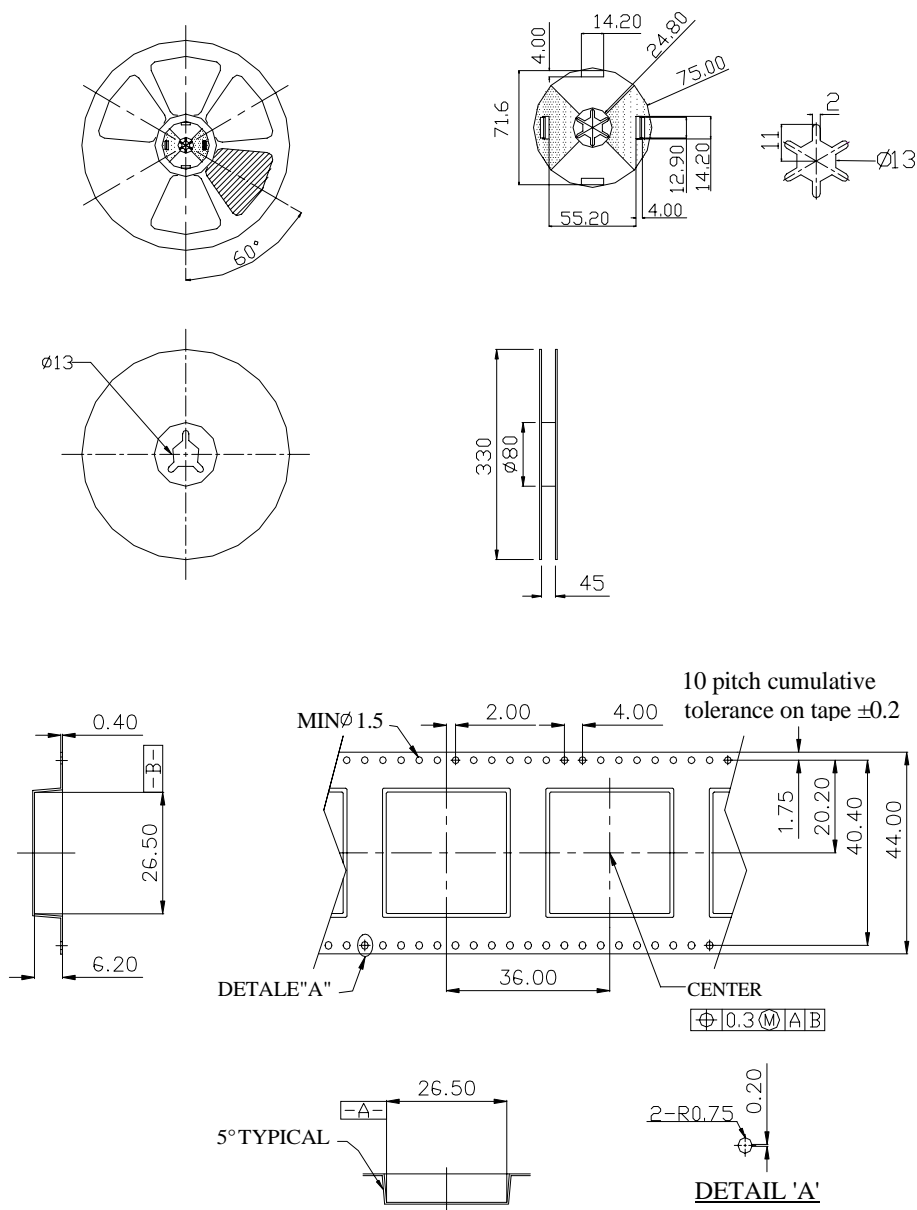
- Note : 1. The number of loaded products in the reel is 350ea  
 2. All dimensions are in millimeters  
 3. Scale : none  
 4. This drawing is reference only engineering



Americas  
 147 Central Avenue  
 Hackensack, NJ 07601  
 (201) 489-8989  
[www.cml-it.com](http://www.cml-it.com)

Europe  
 Robert Bunsen Str. 1  
 D-67098 Bad Dürkheim  
 +49 (6322) 9567-0  
[www.cml-it.com](http://www.cml-it.com)

# 17. Reel Packaging Dimensions (Square type)



- Note :
1. The number of loaded products in the reel is 200ea
  2. All dimensions are in millimeters
  3. Scale is none
  4. This is drawing is reference only engineering

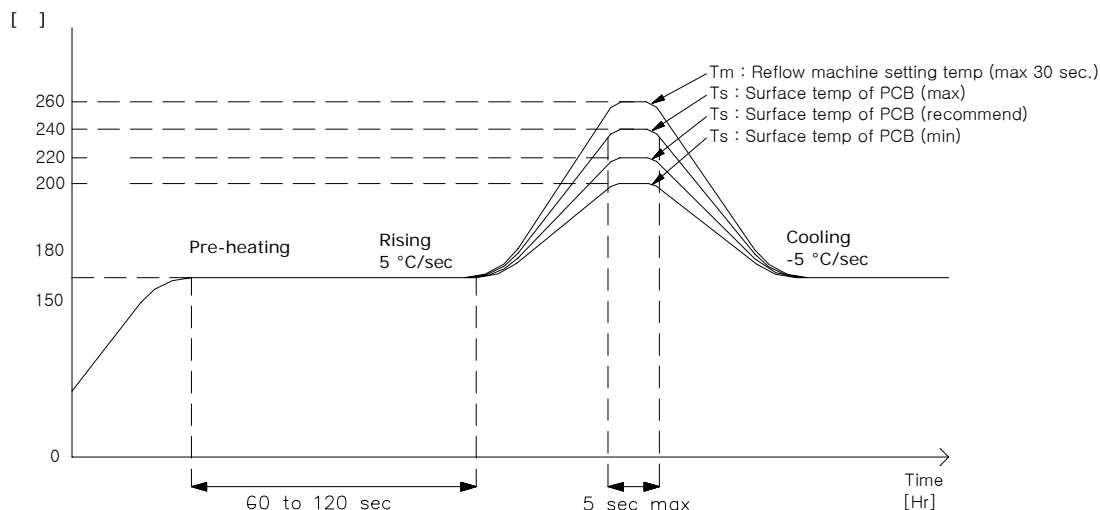


Americas  
 147 Central Avenue  
 Hackensack, NJ 07601  
 (201) 489-8989  
[www.cml-it.com](http://www.cml-it.com)

Europe  
 Robert Bunsen Str. 1  
 D-67098 Bad Dürkheim  
 +49 (6322) 9567-0  
[www.cml-it.com](http://www.cml-it.com)

## Soldering profile, $T_A = 25^\circ\text{C}$

### 1. Reflow Soldering Conditions / Profile



### 2. Hand Soldering conditions

Lead : Not more than 3 seconds @MAX280°C

Slug : Use a thermal-adhesives

#### \* Caution

1. Reflow soldering should not be done more than one time.
2. Repairing should not be done after the LEDs have been soldered. When repairing is unavoidable, suitable tools have to be used.
3. Die slug is to be soldered.
4. When soldering, do not put stress on the LEDs during heating.
5. After soldering, do not warp the circuit board.
6. Recommend to use a convection type reflow machine with 7 ~ 8 zones.



Americas  
147 Central Avenue  
Hackensack, NJ 07601  
(201) 489-8989  
[www.cml-it.com](http://www.cml-it.com)

Europe  
Robert Bunsen Str. 1  
D-67098 Bad Durkheim  
+49 (6322) 9567-0  
[www.cml-it.com](http://www.cml-it.com)