

PLEASE CHECK WWW.MOLEX.COM FOR LATEST PART INFORMATION

Part Number: [0003121022](#)
Status: **Active**
Description: 3.18mm (.125") Diameter, HCS-125 Pin and Socket Receptacle Housing, 2 Circuits, Single Row, With and Without Panel Mount Ears

Documents:

[3D Model](#) [RoHS Certificate of Compliance \(PDF\)](#)
[Drawing \(PDF\)](#)

Agency Certification

CSA LR19980
 UL E29179

General

Product Family Crimp Housings
 Series 4306
 Product Name HCS-125

Physical

Circuits (maximum) 2
 Color - Resin Natural
 Flammability 94V-2
 Gender Dual
 Glow-Wire Compliant No
 Material - Resin Nylon
 Number of Rows 1
 Packaging Type Bag
 Panel Mount No
 Pitch - Mating Interface (in) 0.280 In
 Pitch - Mating Interface (mm) 7.11 mm
 Stackable No
 Temperature Range - Operating -40°C to +105°C

Electrical

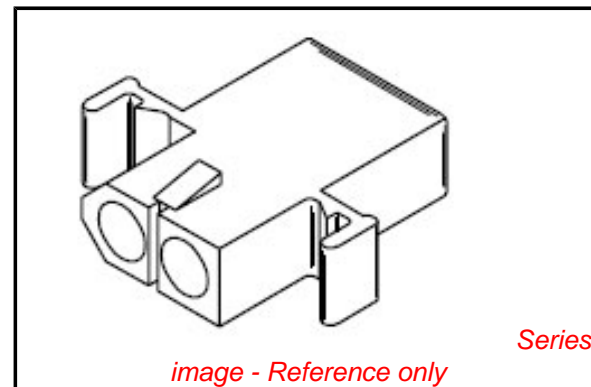
Current - Maximum per Contact 20A

Material Info

Old Part Number 4306R1

Reference - Drawing Numbers

Sales Drawing SD-4306-*



EU RoHS

ELV and RoHS Compliant
REACH SVHC Contains SVHC: No
Halogen-Free Status
Not Reviewed

China RoHS



Need more information on product environmental compliance?

Email productcompliance@molex.com
 For a multiple part number RoHS Certificate of Compliance, [click here](#)

Please visit the [Contact Us](#) section for any non-product compliance questions.

Search Parts in this Series

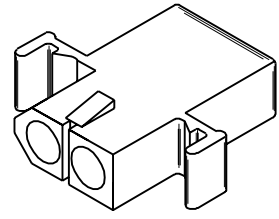
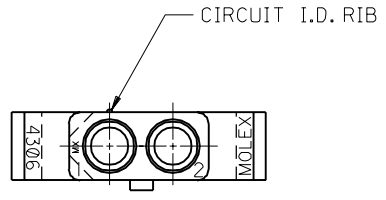
[4306Series](#)

Mates With

[4306p](#)

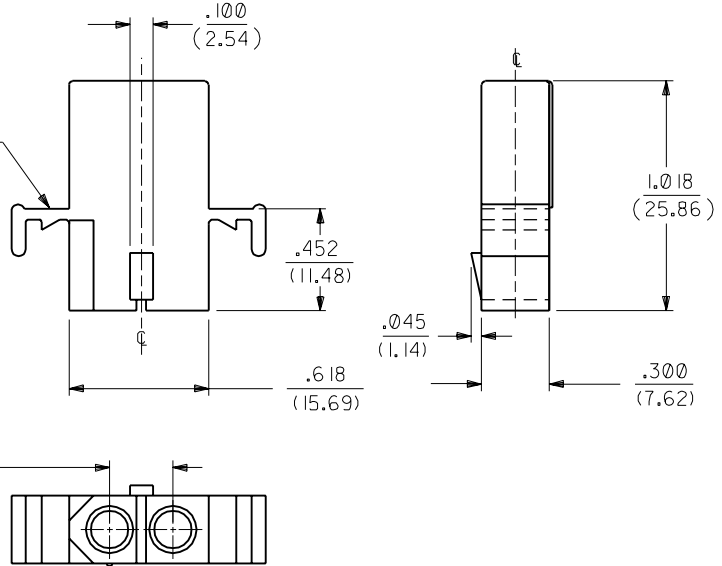
Use With

[8947](#) , [1900](#) male crimp terminals, [1901](#) , [2046](#) , [2047](#) , [42546](#) , [42547](#) , [42554](#) , [42555](#) , [8946](#)



4306-R RECEPTACLE HOUSING

MOUNTING EAR (2 PL.)
SEE DETAIL 1 OR 2
(WHEN SPECIFIED)



DIMENSIONS SHOWN (METRIC) INCH

UNLESS OTHERWISE SPECIFIED TOLERANCES: ANGULAR ± 1/2°

	INCH	METRIC
3 PLACE	± .010	---
2 PLACE	± .014	± 0.25
1 PLACE	---	± 0.35

DRAFT WHERE APPLICABLE MUST REMAIN WITHIN DIMENSIONS

▽ = 0 ▼ = 0 REVISE ONLY ON CAD SYSTEM

TITLE
HOUSING, 2 CIRCUIT
PLUG AND RECEPTACLE
.125/(3.18) DIA.

PART NO. MOLEX INCORPORATED SHEET NO. DATE
LISLE, ILL. 60532 U.S.A. 2 6/4/87

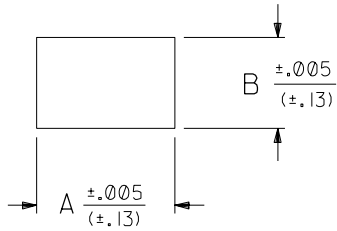
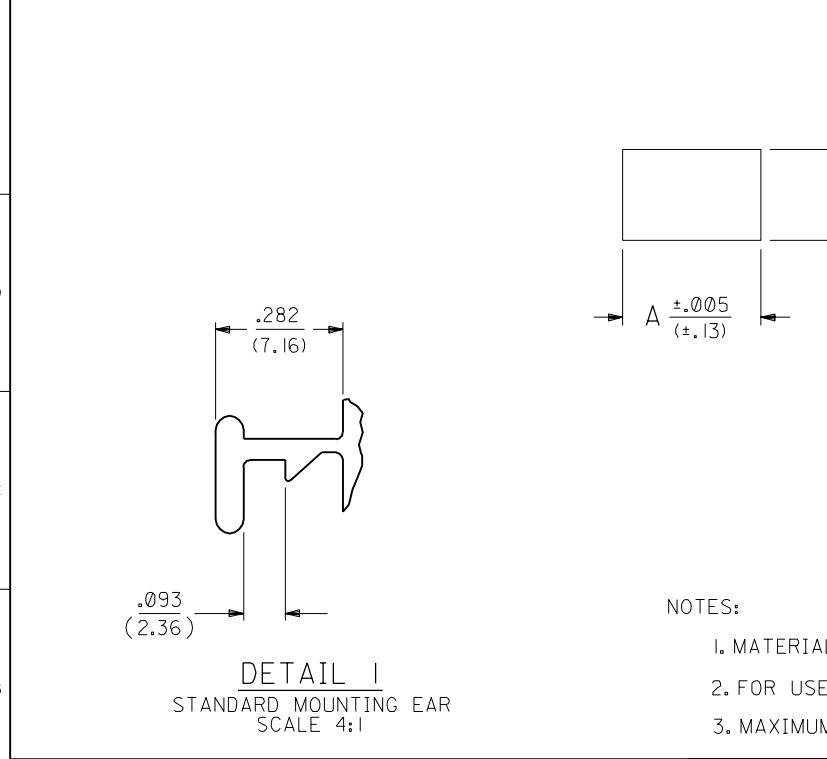
SEE CHART DRWG. NO. SD-4306-*

FILE NAME: SD4306X2.DWG THIS DRAWING CONTAINS INFORMATION THAT IS PROPRIETARY TO MOLEX INC. AND SHOULD NOT BE USED WITHOUT WRITTEN PERMISSION. DIV. CP SIZE B

LTR.	REVISIONS	LTR.	REVISIONS
		F	SEE SHEET 1
		E	SEE SHEET 1

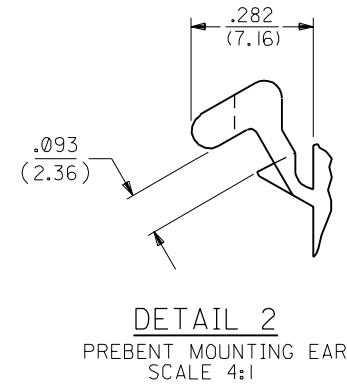
10	9	8	7	6	5	4	3	2	1	4306
PLUG										
PART NO.	ENG. NO.	DESCRIPTION								
03-12-2021	4306-P	PLUG WITH STANDARD EARS (DETAIL 1)								
03-12-2022	4306-P1	PLUG W/O EARS								
03-12-2023	4306-PB	PLUG W/PREBENT EARS (DETAIL 2)								

10	9	8	7	6	5	4	3	2	1	4306
RECEPTACLE										
PART NO.	ENG. NO.	DESCRIPTION								
03-12-1021	4306-R	RECEPTACLE WITH STANDARD EARS (DETAIL 1)								
03-12-1022	4306-R1	RECEPTACLE W/O EARS								
03-12-1023	4306-RB	RECEPTACLE W/PREBENT EARS (DETAIL 2)								



MOUNTING PANEL OPENING		
HOUSING	DIM. "A"	DIM. "B"
PLUG	.878/(22.30)	.432/(10.97)
RECEPTACLE	.778/(19.76)	.375/(9.53)

- NOTES:
1. MATERIAL: NYLON TYPE 6/6, 94V-2, NATURAL.
 2. FOR USE WITH .125/(3.18) DIA. SERIES TERMINALS.
 3. MAXIMUM PANEL THICKNESS .090/(2.29).



				DIMENSIONS SHOWN (METRIC) INCH		▽ = 0		▼ = 0		REVISE ONLY ON CAD SYSTEM	
				UNLESS OTHERWISE SPECIFIED TOLERANCES: ANGULAR ± 1/2°		TITLE		HOUSING, 2 CIRCUIT PLUG AND RECEPTACLE			
				INCH METRIC		FILE NAME		SHEET NO.		DATE	
				3 PLACE ± .010 ---		SD4306X3		3		6 / 5 / 87	
				2 PLACE ± .014 ± 0.25		DRAWN		PART NO.		DRWG. NO.	
				1 PLACE --- ± 0.35		GEP		SEE CHART		SD-4306-*	
				DRAFT WHERE APPLICABLE MUST REMAIN WITHIN DIMENSIONS		CHK'D. BY		MOLEX INCORPORATED		THIS DRAWING CONTAINS INFORMATION THAT IS PROPRIETARY TO MOLEX INC. AND SHOULD NOT BE USED WITHOUT WRITTEN PERMISSION.	
				APP'D. BY		SCALE		LISLE, ILL. 60532 U.S.A.		DIV. CP	
				RAS		2 : 1		DEN		SIZE B	
LTR.		REVISIONS		LTR.		REVISIONS					