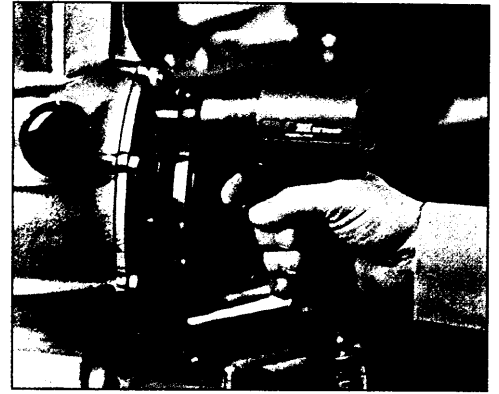


Ingersoll-Rand 3/8" Square Drive Impacttools



215 Pistol-grip Impactool ★★

- Compact, to squeeze into tight spots for transmission and exhaust system work.
- Variable tease trigger control.
- Six position power management.
- Powerful pin clutch mechanism.

New 216 Palm-grip Impactool ★★

- Ideal for work in confined areas.
- Butterfly style throttle for smooth forward and reverse control.
- Powerful pin clutch mechanism.
- 180° swivel inlet.

211-EU Palm-grip Impactool ★★★

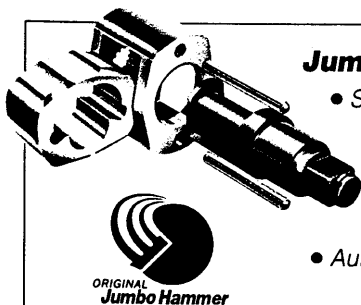
- Jumbo hammer mechanism.
- Pressure-feed lubrication system.
- Power regulator.
- Ideal for sump removal, exhaust and transmission work.

212-EU Pistol-grip Impactool ★★★

- Same features as the 211-EU Impactool but in pistol grip version.

New 2112S Pistol-grip Impactool ★★★★★

- Lightweight ultra duty Impactool offering access together with high power and speed.
- Ideal for the tightest underhood applications, transmission work, engine and body repair etc...



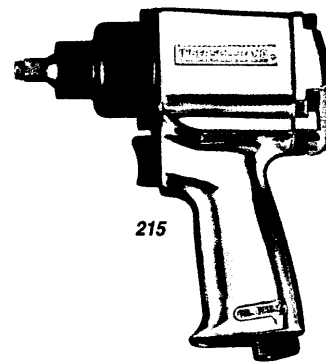
Jumbo Hammer Mechanism

- Single hammer version of the twin hammer. Has an excellent power-to-weight ratio.
- Mechanism contains only 3 working parts - simple to maintain.
- Automatic pressure-feed lubrication system supplies grease to the impact mechanism.

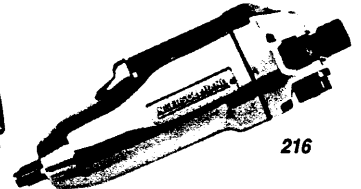
★★★★★
Ergonomics
INTERACTIVE HUMAN ENGINEERING



2112S



215



216



212-EU



211-EU



Optional Protective Tool Boots

Keep your Ingersoll-Rand air impactool free from external damage with protective boots in vinyl material.



Tool number	Boot number
211-EU	211-P32
212-EU	202-P32
215	215-P32
2112S	2112-P32

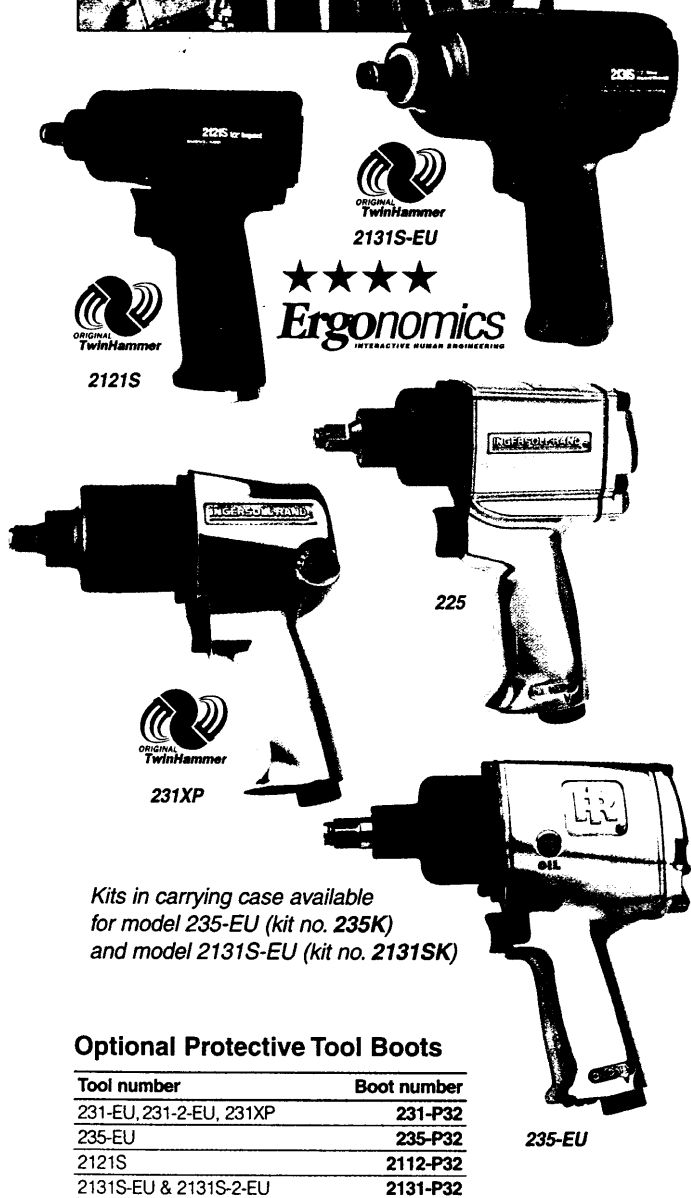
Specifications (at 90 psi – 6.2 bar)

Model	Std. bolt capacity	Free speed rpm	Working torque		Max. torque		Blows per min.	Net weight		Overall length		Average air cons.		Air inlet in	Min. hose size	
			Nm	ft-lb	Nm	ft-lb		kg	lb	mm	in	l/min	cfm		mm	in
215	M10	9500	20-176	15-130	217	160	1600	1.3	2.9	156	6.1	84	3.0	1/4	10	3/8
216	M10	8000	20-217	15-160	232	175	1800	1.3	2.9	156	6.1	84	3.0	1/4	10	3/8
211-EU	M12	10000	27-204	20-150	245	180	1500	1.1	2.4	168	6.6	70	2.5	1/4	10	3/8
212-EU	M12	10000	27-204	20-150	245	180	1500	1.3	2.9	152	6.0	70	2.5	1/4	10	3/8
2112S	M12	14500	34-272	25-200	310*	230*	1500	1.2	2.6	143	5.6	110	4.0	1/4	10	3/8

* Max. torque in REVERSE MODE 355 Nm (260 ft-lb).



Ingersoll-Rand 1/2" Square Drive Impacttools



Kits in carrying case available for model 235-EU (kit no. 235K) and model 2131S-EU (kit no. 2131SK)

Optional Protective Tool Boots

Tool number	Boot number
231-EU, 231-2-EU, 231XP	231-P32
235-EU	235-P32
2121S	2112-P32
2131S-EU & 2131S-2-EU	2131-P32

New 225 Pistol-grip Impacttool ★★

- Mini 1/2" impacttool for application in confined areas.
- Variable tease trigger control.
- 6 position power management.
- Powerful pin clutch mechanism.

231-EU & 231-2-EU Pistol-grip Impacttools ★★★

- The classic 231-EU – still the most popular mechanic's tool in its class – ideal for tyre shops.
- Twin hammer mechanism.
- Pressure-feed lubrication system.
- Variable speed trigger gives you complete control of power output.
- Available with 2" (50 mm) extended anvil (model 231-2-EU).

New 231XP Pistol-grip Impacttool ★★★

- Similar to the proven 231-EU but with new ergonomic handle and trigger plus in-handle exhaust.
- Reverse biased motor cylinder for increased performance.
- Delivers 610 Nm maximum torque.

235-EU Pistol-grip Impacttool ★★

- Full power in reverse and adjustable power in forward.
- In handle exhaust directs air away from the operator.
- Balanced design with easy-to-use controls and tease trigger.

New 2121S Pistol-grip Impacttool ★★★

- With the same specifications as the 2112S model, the 2121S offers speed, power and access with 1/2" drive.

2131S-EU & 2131S-2-EU Pistol-grip Impacttools ★★★

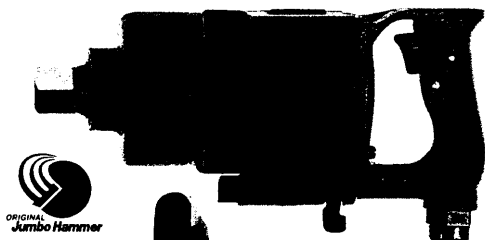
- The world's most powerful 1/2" Impact wrench. This versatile tool delivers 816 Nm in REVERSE MODE, where you really need brute force to master the toughest nuts and bolts: The best tool for tyre changing.
- Available with 2" extended anvil (mod. 2131S-2-EU).

Specifications (at 90 psi – 6.2 bar)

Model	Std. bolt capacity	Free speed rpm	Working torque		Max. torque		Blows per min.	Net weight		Overall length		Average air cons.		Air inlet		Min. hose size	
			Nm	ft-lb	Nm	ft-lb		kg	lb	mm	in	l/min	cfm	in	mm	in	
225	M13	7500	34-270	25-200	440	325	1200	1.9	4.2	168	6.6	113	4.0	1/4	10	3/8	
231-EU	M14	8000	34-408	25-300	578	425	1200	2.6	5.8	185	7.3	120	4.2	1/4	10	3/8	
231-2-EU	M14	8000	34-408	25-300	578	425	1200	2.8	6.1	236	9.3	120	4.2	1/4	10	3/8	
231XP	M14	8000	34-450	25-330	610	449	1200	2.6	5.8	185	7.3	120	4.2	1/4	10	3/8	
235-EU	M13	9500	34-305	25-225	510	375	1200	2.5	5.4	197	7.8	110	4.0	1/4	10	3/8	
2121S	M12	14500	34-272	25-200	310 ⁽¹⁾	230 ⁽¹⁾	1500	1.2	2.6	143	5.6	110	4.0	1/4	10	3/8	
2131S-EU	M16	9500	68-544	50-400	612 ⁽²⁾	450 ⁽²⁾	1250	2.0	4.5	180	7.1	135	4.8	1/4	10	3/8	
2131S-2-EU	M16	9500	68-544	50-400	612 ⁽²⁾	450 ⁽²⁾	1250	2.2	4.8	231	9.1	135	4.8	1/4	10	3/8	

(1) Max. torque in REVERSE MODE 355 Nm (260 ft-lb).

(2) Max. torque in REVERSE MODE 816 Nm (600 ft-lb).



280-EU



290-EU

Ingersoll-Rand 1" Square Drive Impacttools (continued)

280-EU & 280-6-EU Impacttools ★★★

- For super duty high production tyre work, front end and spring work, high torque bolt mounting and demounting.
- Jumbo hammer impact mechanism and pressure-feed lubrication system.
- Power regulator system – Adjustable side handle.
- Available with 6" extended anvil (model 280-6-EU).

290-EU & 290-6-EU Pistol-grip Impacttools ★★★

- Similar to the 280-EU, but with pistol-grip handle.
- Top-mounted dead handle and in-handle exhaust.
- Available with 6" extended anvil (model 290-6-EU).

Specifications (at 90 psi – 6.2 bar)

Model	Std. bolt capacity	Free speed rpm	Working torque		Max. torque		Blows per min.	Net weight		Overall length		Average air cons.		Air inlet size		
			Nm	ft-lb	Nm	ft-lb		kg	lb	mm	in	l/min	cfm	in	mm	in
280-EU	M33	6000	200-1635	150-1200	2175	1600	750	10.0	22.0	330	13.0	280	10	1/2	13	1/2
280-6-EU	M33	6000	200-1635	150-1200	2175	1600	750	10.8	23.8	470	18.5	280	10	1/2	13	1/2
290-EU	M33	6000	200-1635	150-1200	2175	1600	800	9.9	21.9	248	9.8	280	10	1/2	13	1/2
290-6-EU	M33	6000	200-1635	150-1200	2175	1600	800	10.7	23.6	388	15.3	280	10	1/2	13	1/2

Ingersoll-Rand 1/2" Square Drive Impacttool Kits

LA425-EU Impacttool Kit ★

Contains 1/2" square drive Impacttool with 10 sockets, 127 mm (5") extension bar, 6 mm (1/4") nipple and mini oiler.

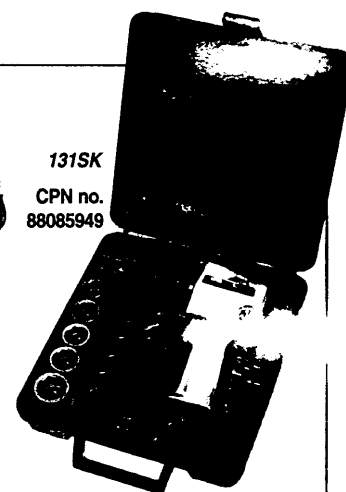


LA425-EU

New



131S-EA



131SK

CPN no.
88085949

131SK Impacttool Kit ★★★

- Contains 1/2" Impacttool with 10 sockets.
 - Similar to the proven 231 Series Impacttools (see page 6) with ergonomic handle and trigger plus in-handle exhaust.
 - Available without carrying case:
- Model **131S-EA**, with standard anvil
 → Model **131S-2-EA**, with 2" (50 mm) extended anvil.

Specifications (at 90 psi – 6.2 bar)

Model	Std. bolt capacity	Free speed rpm	Working torque		Max. torque		Net weight		Overall length		Average air cons.		Air inlet in	Min. hose size	
			Nm	ft-lb	Nm	ft-lb	kg	lb	mm	in	l/min	cfm		mm	in
LA425-EU	M13	7500	34-370	25-275	400	295	2.5	5.5	181	7.1	110	4.0	1/4	10	
131SK / 131S-EA	M14	8000	34-450	25-330	610	449	2.6	5.8	185	7.3	120	4.2	1/4	10	
131S-2-EU	M14	8000	34-450	25-330	610	449	2.8	6.1	236	9.3	120	4.2	1/4	10	3/8

LA430-EU 1/2" Ratchet Wrench Kit ★

- Complete Kit with Ratchet Wrench and sockets offers flexibility for fastening applications in hard-to-reach or confined areas. Comes in a durable carrying case.
- Kit comprises: LA430-EU Ratchet Wrench, carrying case, power universal joint, 3" extension bar, screwdriver bit adapter, screwdriver bits (3), inlet adapter, sockets (10, 11, 12, 13, 15, 17 and 19 mm).



LA430-EU

Specifications (at 90 psi – 6.2 bar)

Model	Square drive in	Std. bolt capacity	Free speed rpm	Working torque		Max. torque		Net weight		Overall length		Average air cons.		Air inlet		Min. hose size	
				Nm	ft-lb	Nm	ft-lb	kg	lb	mm	in	l/min	cfm	in	mm	in	
1032-EU	1/4	M10	200	7-27	5-20	27	20	0.5	1.1	165	6.5	70	2.5	1/4	6	1/4	
104A-EU	1/4	M10	200	7-27	5-20	27	20	0.5	1.1	198	7.8	70	2.5	1/4	6	1/4	
1033-EU	3/8	M10	200	7-27	5-20	27	20	0.5	1.1	165	6.5	70	2.5	1/4	6	1/4	
107XP	3/8	M10	160	14-61	10-45	68	50	1.1	2.5	267	10.5	110	4.0	1/4	8	5/16	
111A-EU	3/8	M10	300	14-68	10-50	68	50	1.2	2.7	267	10.5	110	4.0	1/4	8	5/16	
109XP	3/8	M10	300	14-82	10-60	95	70	1.4	3.1	302	11.9	110	4.0	1/4	8	5/16	
LA430-EU	1/2	M10	150	14-61	10-45	61	45	1.2	2.6	267	10.5	110	4.0	1/4	8	5/16	
1077XP	1/2	M10	160	14-61	10-45	68	50	1.1	2.5	267	10.5	110	4.0	1/4	8	5/16	
1111A-EU	1/2	M10	300	14-68	10-50	68	50	1.2	2.7	267	10.5	110	4.0	1/4	8	5/16	
1099XP	1/2	M10	300	14-82	10-60	95	70	1.4	3.1	302	11.9	110	4.0	1/4	8	5/16	

Spindle Accessories

Standard Power Sockets – 6 points



AF 1/4"	1/4" Square drive		3/8" Square drive		1/2" Square drive	
	in	mm	in	mm	in	mm
4		6904M				
5		6904.5M				
6	3/16	6905M	6906H			
7		6905.5M				
8	1/4	6906M	6908H	7206M	7208H	
9	5/32	6907M	6909H	J7207M		
10	3/16	6908M	6910H	J7208M	7210H	7408M
11	11/32	6909M	6911H	7209M		7409M
12		6910M	6912H	7210M	7212H	7410M 7412H
13		6911M	6914H	7211M	7214H	7411M 7414H
14		6912M		7212M		7412M
15	1/2	6913M	6916H	7213M	7216H	7413M 7416H
16	5/16	6914M	6917H	7214M	7218H	7414M 7418H
17				J7215M		7415M
18	5/8			7216M	7220H	7416M 7420H
19	11/16			7217M	7222H	7417M 7422H
20				7218M		7418M
21	3/4			7219M	7219M	7419M 7419M
22				7220M		7420M
23	13/16			7221M	7226H	7421M 7426H
24				7222M		7422M 7428H
						7423M
						7424M 7430H

Power Universal Joints



Square drive	Part no.
1/4"	6070P
3/8"	7270P
1/2"	7470P

Power Driver Extensions



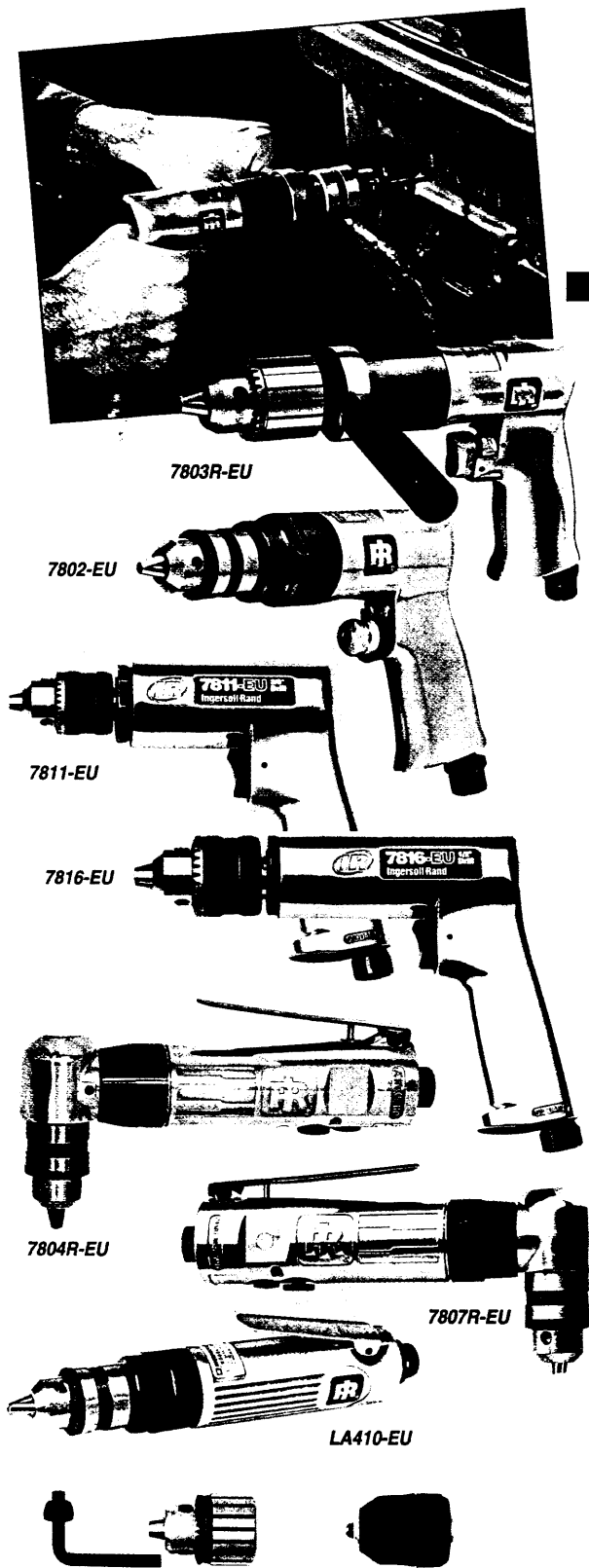
Square drive	Part no.	Length	
		mm	in
1/4"	6972P	50	2
	6973P	150	6
3/8"	7175P	75	3
	7176P	150	6
1/2"	7183P	75	3
	7181P	127	5

Power Socket Adapters (female to male drivers)



Square drive	Part no.	Male end
1/4"	6954	3/8
3/8"	2U-215	1/2
	7106P	1/4
1/2"	7653	3/8
	7654	5/8
	7455	3/4

Ingersoll-Rand Air Drills & Screwdrivers



Drills

7802-EU 10 mm Capacity Pistol-grip Drill ★★

- Variable speed throttle for ease of starting holes.
- Compact and lightweight, with the power to do the job fast without operator fatigue.
- Ideal for general heavy duty drilling.

7802R-EU 10 mm Cap. Pistol-grip Reversible Drill ★★

- Features as above – also offers the additional advantage of driving and removing screws and tapping.

New 7811-EU 10 mm Capacity Pistol-grip Drill ★★★

- 1/2 hp air motor for high performance and free speed up to 2750 rpm.
- Variable speed throttle.

7803-EU 13 mm Capacity Pistol-grip Drill ★★

- Designed for drilling applications which require extra power such as frame drilling, cylinder honing, hole sawing, reaming.
- Lots of power when it's needed.

7803R-EU 13 mm Cap. Pistol-grip Reversible Drill ★★

- Features as above – also offers the power to remove the toughest of screws when used as a screwdriver.

New 7816-EU 13 mm Capacity Pistol-grip Drill ★★★

- High powered.
- Double reduction planetary gearing.
- Variable speed throttle.

7804R-EU 10 mm Cap. Reversible Angle Drill ★★★

- Rear exhaust keeps exhaust air away from the work area
- Forward/reverse control locks in both positions to prevent accidental directional changes during use.
- Plenty of power and torque, with 1/2 hp air motor and 1200 rpm free speed.

7807R-EU 10 mm Capacity Angle Reversible Drill ★

- Reversible with convenient control.
- Grease plug for easy maintenance.
- Rear exhaust keeps exhaust air away from the work area

LA410-EU 10 mm Capacity Straight Drill ★

- Suitable for body work, mild steel and general bodyshop materials – Lightweight and versatile.
- Optional piped exhaust kit, part no. LA410-HA1.

Replacement Chucks (Thread 3/8" x 24)

Types	Part no.	Corresp. tools
Standard chuck: Key:	7801-99-6 728N-253	7811-EU
Standard chuck: Key:	7802-99 R000B2J70-J253	7802-EU 7802R-EU LA410-EU 7804R-EU
Standard chuck: Key:	7803-99 7803-253	7803-EU 7803R-EU
Standard chuck: Key:	7806-99-8 728N-253	7816-EU
Metal keyless chuck:	KC10MM	7811-EU
Composite keyless chuck:	728-99-KC5	7802-EU LA410-EU
Metal keyless chuck:	KC13MM	7803-EU
Composite keyless chuck:	728-99-KC8	7816-EU

Optional Protective Tool Boot (vinyl)

For models 7802-EU, 7802R-EU and 7803-EU: Part no. 7802-P32

Screwdrivers

371-EU Pistol-grip Reversible Positive Screwdriver ★

- Positive action clutch, for full torque throughout rundown.
- Convenient one-handed operation, with reverse control at trigger.
- Variable speed throttle for easy starts.
- Through-handle exhaust directs air away from work area.

LA412-EU Pistol-grip Reversible Positive Screwdriver ★

- All-purpose pistol-grip screwdriver with positive action offers full torque throughout run-down.
- Reverse switch at trigger - Variable speed throttle.
- In-handle exhaust.

LA413-EU Straight Reversible Adjustable Screwdriver ★

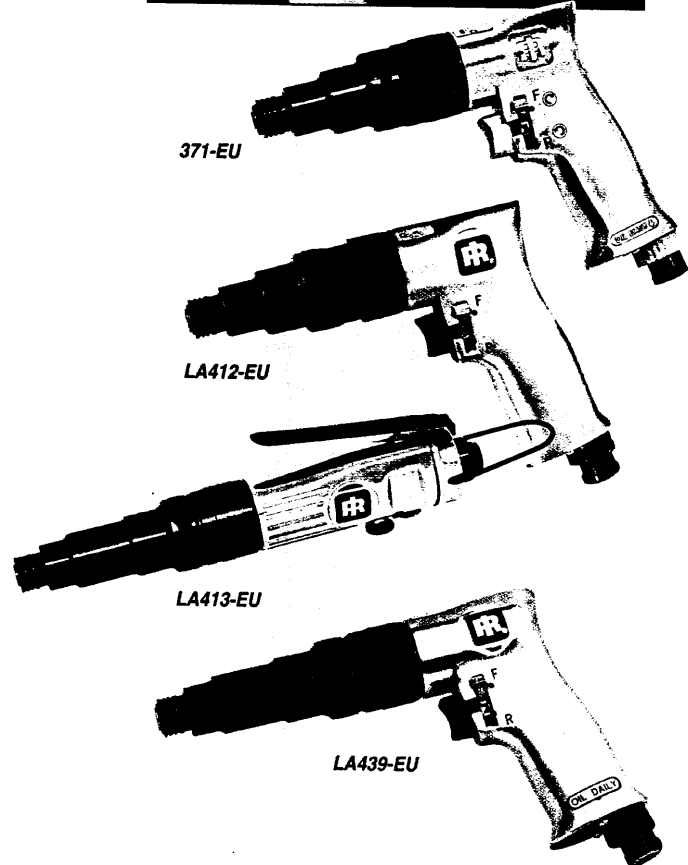
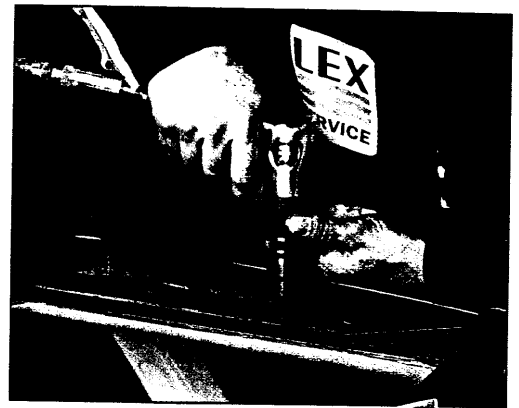
- Straight reversible screwdriver has adjustable clutch for sensitive control.
- Variable speed throttle.
- Rear exhaust.
- LA413-EU accessory: Vertical hanger, part no. LA413-93

LA439-EU Pistol Reversible Adjustable Screwdriver ★

- Adjustable clutch for sensitive control.
- Reverse switch at trigger - Variable speed throttle.
- In-handle exhaust.

Screwdriver Accessories:

Screwdriver bit box, part no. SBB-3



Drill Specifications (at 90 psi – 6.2 bar)

Model with std. chuck	Model with keyless chuck	Chuck size		Free speed rpm	Rated power		Net weight		Overall length		Average air cons.		Air inlet		Min. hose size	
		mm	in		kW	hp	kg	lb	mm	in	l/min	cfm	in	mm	in	
7802-EU	7802KC-EU	10	3/8	2100	0.37	0.5	1.1	2.4	198	7.8	110	4.0	1/4	10	3/8	
7802R-EU	-	10	3/8	2000	0.37	0.5	1.1	2.4	163	6.4	110	4.0	1/4	10	3/8	
7811-EU	7811KC-EU	10	3/8	2750	0.37	0.5	1.2	2.7	188	7.4	110	4.0	1/4	10	3/8	
7803-EU	7803KC-EU	13	1/2	500	0.37	0.5	1.4	3.2	229	9.0	110	4.0	1/4	10	3/8	
7803R-EU	-	13	1/2	400	0.37	0.5	1.5	3.3	221	8.7	110	4.0	1/4	10	3/8	
7816-EU	7816KC-EU	13	1/2	1200	0.37	0.5	1.4	3.2	203	8.0	110	4.0	1/4	10	3/8	
7804R-EU	-	10	3/8	1200	0.37	0.5	1.2	2.7	213	8.4	110	4.0	1/4	10	3/8	
7807R-EU	-	10	3/8	1800	0.25	0.3	1.1	2.5	206	8.1	110	4.0	1/4	10	3/8	
LA411-EU	-	10	3/8	1800	0.25	0.3	1.1	2.5	210	8.2	85	3.0	1/4	10	3/8	
LA410-EU	-	10	3/8	4500	0.25	0.3	0.7	1.6	216	8.5	85	3.0	1/4	10	3/8	

* Capacity with keyless chuck.

Screwdriver Specifications (at 90 psi – 6.2 bar)

Model	Free speed rpm	Max. working torque		Net weight		Overall length		Average air cons.		Air inlet in	Min. hose size	
		Nm	ft-lb	kg	lb	mm	in	l/min	cfm		mm	in
371-EU	1800	13	10	1.1	2.4	188	7.4	85	3	1/4	10	3/8
LA412-EU	1800	13	10	1.5	3.3	184	7.2	85	3	1/4	10	3/8
LA413-EU	1800	13	10	1.1	2.4	260	10.2	85	3	1/4	10	3/8
LA439-EU	1800	13	10	1.6	3.5	216	8.5	110	4	1/4	10	3/8

Ingersoll-Rand Air Sanders & Polishers

310-EU Dual Action Orbital Sander ★★

- Orbital for swirl-free, quality finishing prior to painting.
- Uses standard 6" adhesive discs (152 mm).

311A Dual Action Sander ★★

- Built-in silencer.
- Adjustable built-in regulator.
- Suitable for feather edging, metal preparation and body finishing work.

312-EU Non-vacuum Orbital Sander ★★

- Makes easy work of body filler removal, wood and plastic surface finishing.

313-EU Angle Sander ★★

- For light and heavy applications.
- Built-in speed regulator.
- Ability to use 200 mm pad.

315-EU Straight Line Sander ★★

- Ideal for shaping and levelling of large, flat surfaces.
- Pad dimension 70 x 445 mm (2 3/4" x 17 1/2").
- Rubber pad part no. 315-39

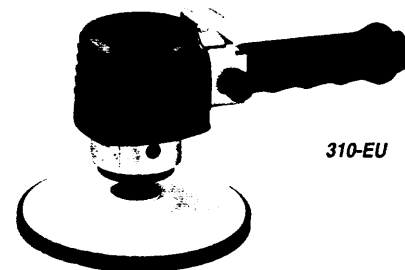
317-EU High Speed Pistol-grip Sander ★★

- Built-in regulator.
- Suitable for edging and rust removal.

319-EU Vertical Sander ★★

- Heavy duty 1 hp sander.
- Handles the toughest sanding jobs.
- Exhaust directed away from the operator.

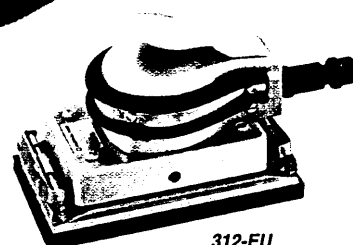
- See accessories on the following page.



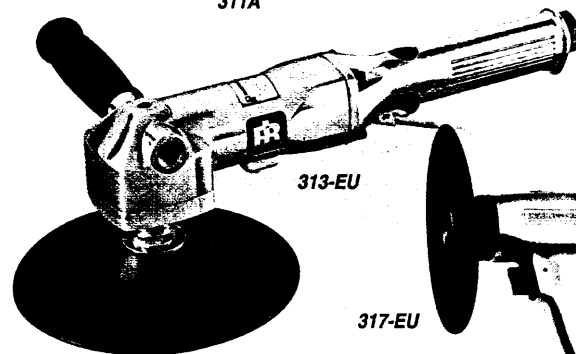
310-EU



311A

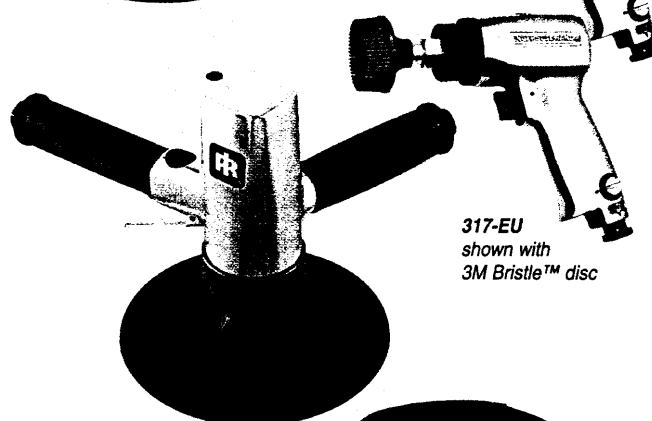


312-EU

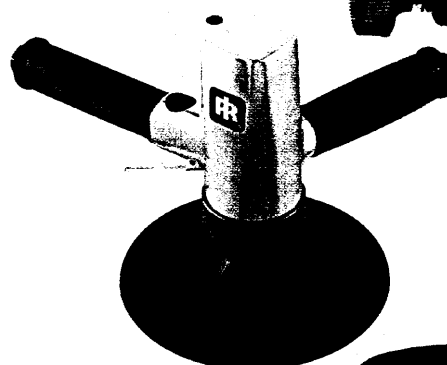


313-EU

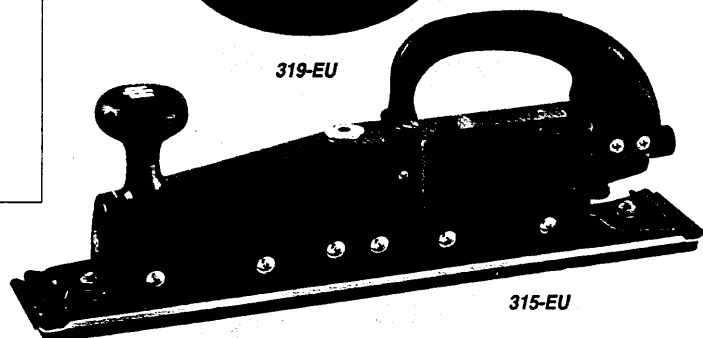
317-EU



317-EU
shown with
3M Bristle™ disc



319-EU



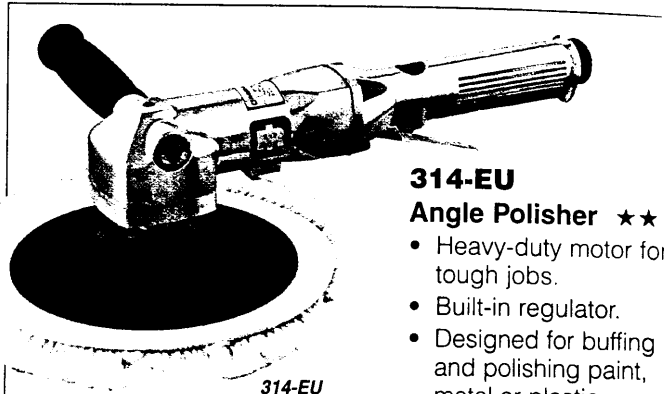
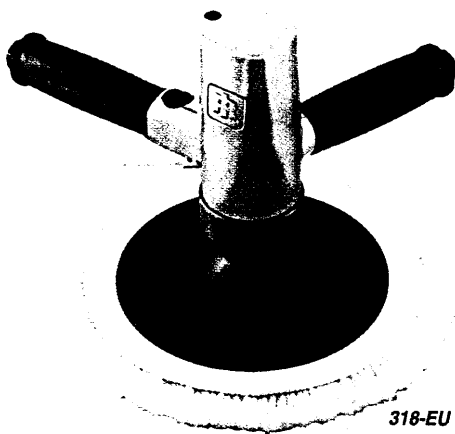
315-EU

Specifications (at 90 psi - 6.2 bar)

Model	Pad size		Free speed rpm	Net weight		Overall length		Average air cons.		Air inlet in	Min. hose size	
	mm	in		kg	lb	mm	in	l/min	cfm		mm	in
310-EU	152	6	10 000	2.1	4.6	274	10.8	110	4	1/4	10	3/8
311A	152	6	10 000	1.9	4.2	254	10.0	110	4	1/4	10	3/8
312-EU	93 x 170	3.6 x 6.7	8 000	2.1	4.6	229	9.0	170	6	1/4	8	5/16
313-EU	178	7	5 000	2.9	6.5	406	16.0	220	8	1/4	10	3/8
315-EU	70 x 445	2.8 x 17.5	3 000 *	3.0	6.6	445	17.5	220	8	1/4	10	3/8
317-EU	127	5	18 000	1.0	2.2	112	4.4	340	12	1/4	10	3/8
319-EU	178	7	5 000	2.0	4.5	203	8.0	170	6	1/4	10	3/8

* strokes per minute, stroke length 25 mm (1")

Ingersoll-Rand Air Sanders & Polishers (continued)



314-EU Angle Polisher ★★

- Heavy-duty motor for tough jobs.
- Built-in regulator.
- Designed for buffing and polishing paint, metal or plastic.

318-EU Vertical Polisher ★★

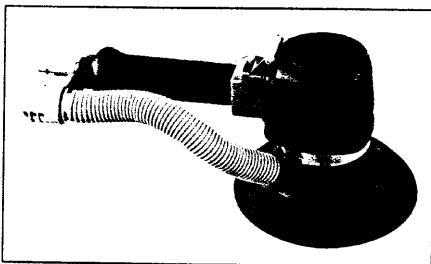
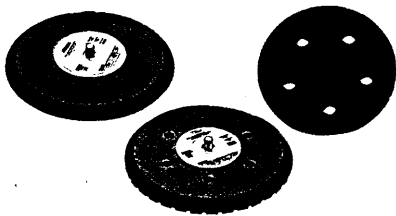
- Handle exhaust directs air away from the operator.
- Ideal for buffing and polishing of all painted surfaces to a professional standard.

Optional lambswool bonnet for models 314-EU and 318-EU, part no. P500-850

Specifications (at 90 psi – 6.2 bar)

Model	Free speed	Pad or wheel Ø / diameter		Spindle	Net weight		Overall length		Average air cons.		Air inlet	Min. hose size	
	rpm	mm	in		in	kg	lb	mm	in	l/min		cfm	in
314-EU	2 500	178	7	5/8-11	2.9	6.5	406	16.0	220	8.0	1/4	10	3/8
318-EU	2 800	178	7	5/8-11	2.0	4.5	203	8.0	170	6.0	1/4	10	3/8

Air Sanders and Polishers Accessories



Dust Extraction Kit

Converts 310-EU for dust extraction.
Part no. **DEK-310**

Sanding and Polishing Pads

Tool no.	Pad size (mm)	For non-vacuum models		For vacuum models	
		Material	Part no.	Material	Part no.
4151-HL		Vinyl	49097	Vinyl (2)	49099
310-EU	Ø 152	Velcro (1)	49835	Velcro (2)	49835
311A					
313-EU		Plastic	313-825-7		
314-EU		Plastic	313-825-7		
318-EU	Ø 178	Heavy duty	6130A		
319-EU		Polyester ⁽³⁾	6135A		
315-EU	70 X 445	Rubber	315-39		
317-EU	3 pads, Ø 76, 100 & 127	Plastic	317-825		

(1) Velcro pads can be used for both vacuum and non-vacuum models.

(2) For use with 4151-HL or DEK-310 dust extraction kit.

(3) Only for polishing.

Ingersoll-Rand Air Hammers



116-EU & 116H-EU Hammers ★

- Alloyed steel barrel and heat-treated piston for longer life.
- Trigger control of speed and power.
- Built-in power regulator.
- Ideal for medium exhaust system work and panel cutting.

117-EU & 117H-EU Hammers ★

- Longer stroke piston to handle tough cutting jobs.
- Trigger control of speed and power.
- Built-in power regulator.
- Ideal for bolt cutting.

121/Q-EU & 121/QH-EU Hammers ★★★

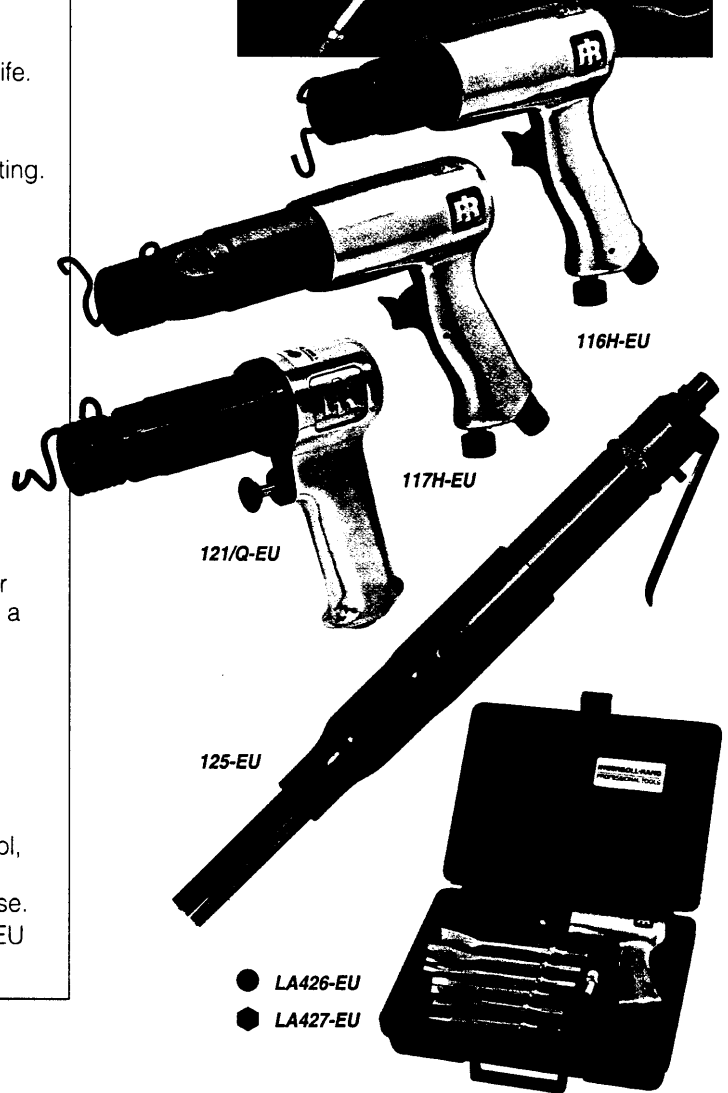
- Long-life tool with one-piece alloy barrel.
- Touch trigger.
- For body work, shearing and general front end work.

125-EU Needle Scaler ★

- For surface preparation work involving the cleaning or removal of paint, rust, dirt or weld slag, the 125-EU is a durable, dependable and economical solution.
- Replacement needles - 3.2 mm dia (1/8"); Set of 19 steel needles, part no. NS11-22-19

LA426-EU & LA427-EU Hammer Kits ★

- Kits offer Air Hammer with 6 different chisels to suit a variety of cutting, edging and punching applications.
- LA426-EU kit equipment: 116-EU Hammer, edging tool, tail pipe cutter, straight chisel, cutting chisel, punch, spotweld cutting chisel, 1/4" nipple, blow moulded case.
- LA427-EU kit equipment: Same as above with 116H-EU Hammer.



Specifications (at 90 psi – 6.2 bar)

Model	Shank opening	Chisel shank dia.		Blows per minute	Bore diameter		Stroke length		Net weight		Overall length		Average air cons.		Air inlet	Min. hose size	
		mm	in		mm	in	mm	in	kg	lb	mm	in	l/min	cfm		in	mm
116-EU	●	10.2	0.4	3500	17.5	11/16	67	2.6	1.5	3.4	198	7.8	85	3.0	1/4	10	3/8
116H-EU	●	10.2	0.4	3500	17.5	11/16	67	2.6	1.5	3.4	198	7.8	85	3.0	1/4	10	3/8
117-EU	●	10.2	0.4	2000	17.5	11/16	89	3.5	1.9	4.1	251	9.9	85	3.0	1/4	10	3/8
117H-EU	●	10.2	0.4	2000	17.5	11/16	89	3.5	1.9	4.1	251	9.9	85	3.0	1/4	10	3/8
121/Q-EU	●	10.2	0.4	3000	19.0	3/4	58	2.3	1.6	3.5	194	7.6	85	3.0	1/4	10	3/8
121/QH-EU	●	10.2	0.4	3000	19.0	3/4	58	2.3	1.6	3.5	194	7.6	85	3.0	1/4	10	3/8
125-EU	-	-	-	4600	25.4	1	28	1.1	2.8	6.2	465	18.3	220	8.0	1/4	8	5/16

Hammer Accessories

Description	Part no.	Part no.
Straight chisel	116-66	116-66H
Punch	116-70	116-70H
Spotweld breaker	116-87	116-87H
Edging tool	116-88	116-88H
Spotweld breaker	116-89	116-89H
(supplied in plastic pouch)	116-K5	116H-K5



Replacement spring retainer for 116-EU, 116H-EU, 117-EU and 117H-EU, Part no. 115-183

Replacement spring retainer for 121/Q-EU and 121/QH-EU, Part no. AVC10-183A

301-EU ★ & 302-EU ★★ Angle Die Grinders

- Compact design for work in confined areas.
- Safety locking throttle prevents accidental starts.
- Precision machined gearing for maximum power transfer.
- Ideal for grinding, parting, polishing, deburring and smoothing sharp edges.

307A-EU & LA419-EU Mini Die Grinders ★

- Compact, general purpose grinders for tyre buffing, metal finishing and weld dressing in confined areas.
- Safety lever prevents accidental starts.
- Front exhaust helps keep work surface clean.

308-EU Multi-purpose Die Grinder ★★

- Designed for parting, light weld grinding and smoothing sharp edges.
- Safety throttle and front exhaust.

344 Angle Grinder - 4" wheel capacity ★★

- Speed controller - Controls the speed and power of the tool for increased productivity and enhanced operator safety.
- Lightweight and durable composite housing.
- Rear exhaust directs air away from the workpiece. Optional piped-away exhaust available, part no. LG2-K284

LA421-EU & LA422-EU Angle Grinders ★★

- All purpose angle grinders suitable for metal dressing, rust removal, weld preparation and automotive bodywork fabrication.
- Wheel capacity 4" (LA421-EU) and 5" (LA422-EU)
- Accessories supplied with tools:

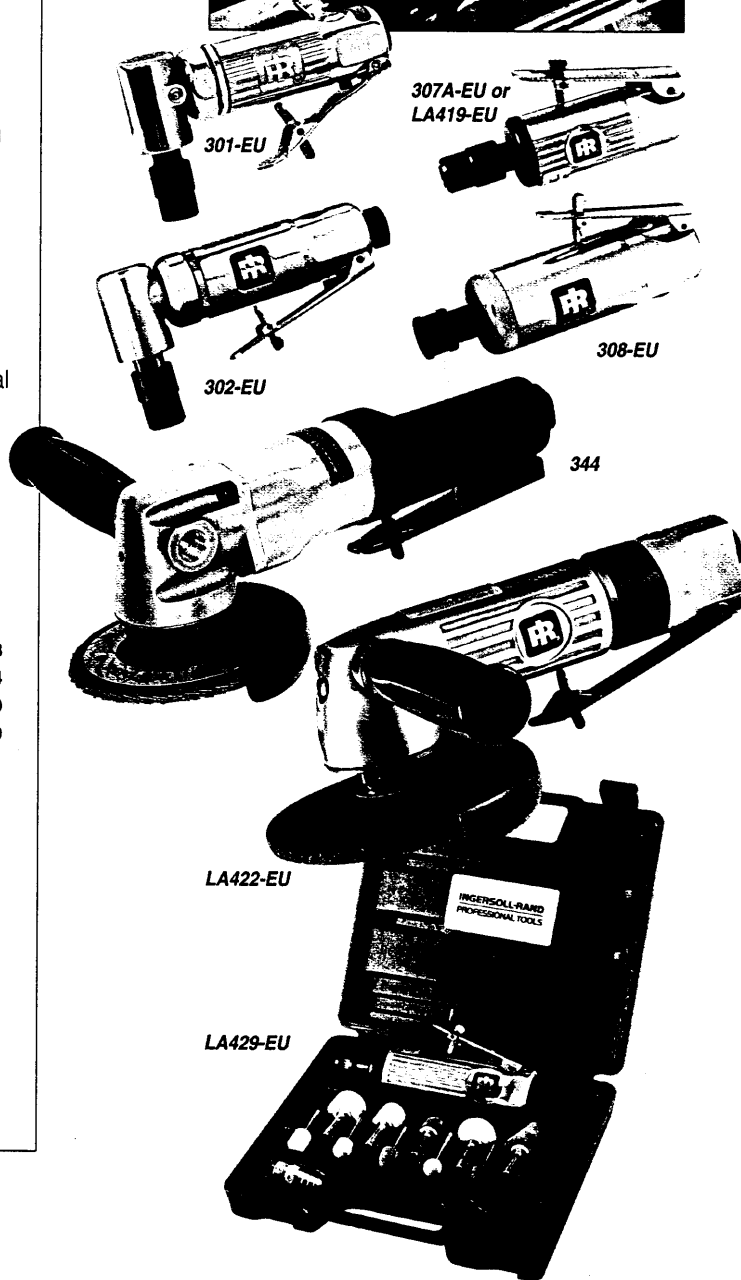
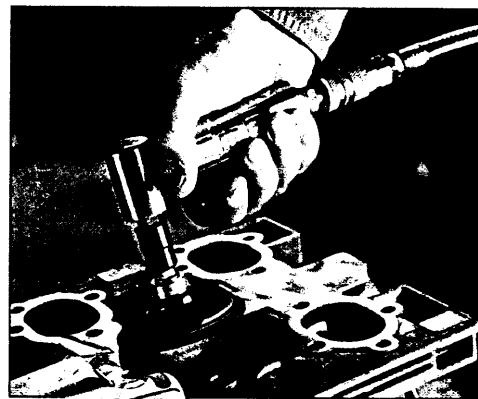
Arbor wrench.....	Part no. LA421-DG-40048
Flange nut wrench.....	Part no. LA421-AG-30054
4" wheel (with model LA421-EU).....	Part no. LA421-AG-40059
5" wheel (with model LA422-EU).....	Part no. LA422-AG-40059

LA429-EU Die Grinder Kit ★

- Contains LA429-EU Grinder plus 10 different shank-mounted stones for flexibility to meet different die grinding applications.
- Standard accessories: 5 x 6 mm (1/4") and 5 x 3 mm (1/8") shank-mounted stones, 3 mm (1/8") collet reducer, 6 mm (1/4") inlet adapter and double end spanners.

Die grinder accessories:

- Set of 5 x 6 mm (1/4") and 5 x 3 mm (1/8") replacement shank-mounted stones: Part no. LA429-74

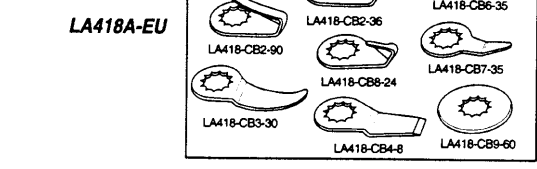
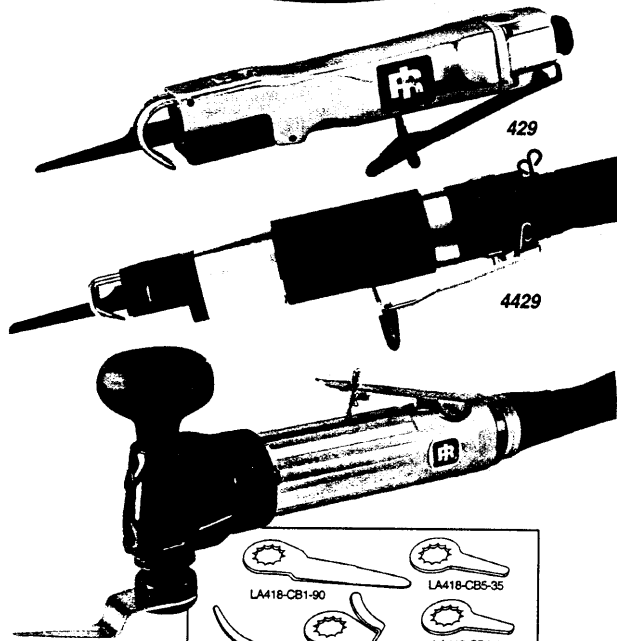
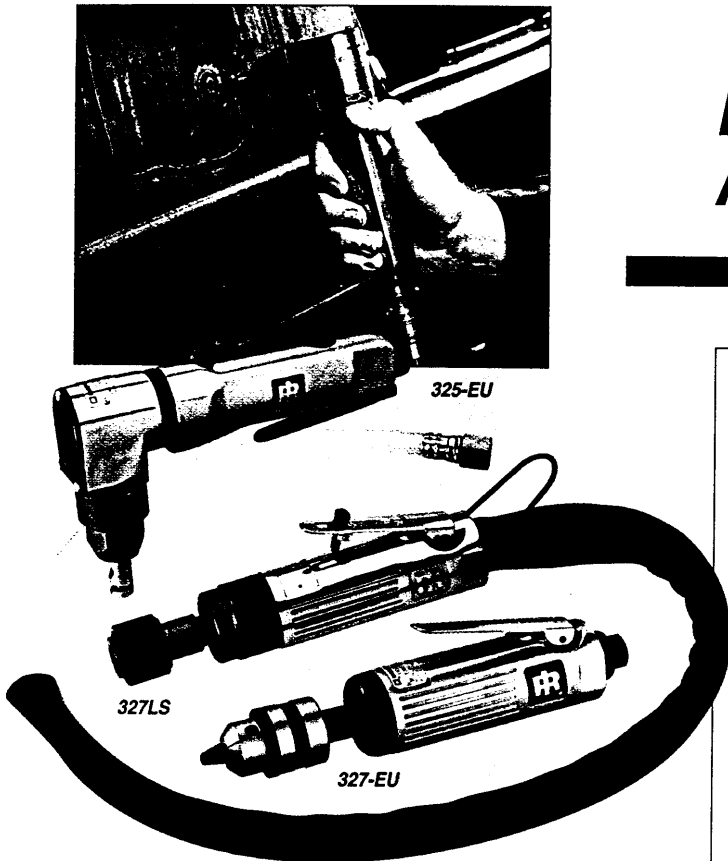


Specifications (at 90 psi – 6.2 bar)

Model	Free speed		Rated power		Collet size or spindle size		Net weight		Overall length		Average air cons.		Air inlet		Min. hose size	
	rpm	kW	hp	mm	in	kg	lb	mm	in	l/min	cfm	in	mm	in		
301-EU	20000	0.19	0.25	6	1/4	0.45	1.0	127	5.0	85	3	1/4	10	3/8		
302-EU	18000	0.25	0.33	6	1/4	0.45	1.0	140	5.6	85	3	1/4	10	3/8		
307A-EU	27000	0.19	0.25	6	1/4	0.30	0.7	121	4.8	85	3	1/4	10	3/8		
308-EU	25000	0.25	0.33	6*	1/4*	0.50	1.0	142	5.6	85	3	1/4	10	3/8		
344	12000	0.80	1.00	-	3/8-24	1.65	3.6	235	9.3	170	6	1/4	10	3/8		
LA419-EU	25000	0.22	0.30	6	1/4	0.55	1.2	121	4.8	85	3	1/4	10	3/8		
LA421-EU	12000	0.80	1.00	-	3/8-24	1.80	4.0	229	9.0	170	6	1/4	10	3/8		
LA422-EU	12000	0.80	1.00	-	3/8-24	1.85	4.1	229	9.0	170	6	1/4	10	3/8		
LA429-EU	22000	0.42	0.56	6	1/4	1.30	2.9	168	6.6	110	4	1/4	10	3/8		

* For shank diameter accessories, order collet part no. LA429-70 and collet reducer LA429-73.

Ingersoll-Rand Air Cutting Tools & Grinders



325-EU Nibbler ★★

- Used for nibbling plastic, tin, aluminium and other metals up to 18 gauge rolled steel.
- Lever throttle for low speed starting.
- Cuts a tight 1/4" radius.
- Cutting capacity 1.2 mm, cutting speed 1.80 m/min.
- Accessories delivered with tool:
Cutter die..... Part no. 325-354 Cutter..... Part no. 325-350

327-EU High Speed Tyre Buffer ★★

- Ideal for roughing up and cleaning tyre mouldings, surface wound repairs and repairing steel cables.
- Rear exhaust (optional piped away exhaust kit available, part no. LA410-HA1)

New 327LS Tyre Buffer ★★

- Quick change chuck for easy bit change.
- Piped-away exhaust - directs air away from work area and user - and convenient hanger included.

429 Body Saw ★★

- Extremely versatile – cuts intricate shapes and tight radius curves on flat and curved surfaces.
- Adjustable blade guide increases blade life.
- Requires only a very small hole to start the cut.
- Supplied with three 10-teeth/cm blades and three 12-teeth/cm blades.

New 4429 Body Saw ★★★

- Super duty reciprocating saw.
- Rubber grip and contoured design for greater comfort.
- Accessories at extra cost for 429 and 4429
Fine blade (12 teeth/cm - red), qty. 6 Part no. 329-F500
Coarse blade (10 teeth/cm - grey), qty. 6 Part no. 329-C500

LA418A-EU Windscreen Cutter ★★

- Efficient tool which reduces windscreen replacement time.
- Oscillations per minute: 20,000 – Stroke arc 3°.
- Accessories at extra cost:
Step blade LA418-CB1-90 Flat point blade LA418-CB5-35
Swept hook blade ... LA418-CB2-36 Flat spade blade LA418-CB6-35
Sweeper blade LA418-CB2-90 Angle straight blade . LA418-CB7-35
Curved blade LA418-CB3-30 Straight hook blade .. LA418-CB8-24
Scraper blade LA418-CB4-8 Circular blade LA418-CB9-60

Specifications (at 90 psi – 6.2 bar)

Model	Chuck capacity	Free speed rpm	Strokes per minute	Net weight		Overall length		Average air consumption		Air inlet in	Min. hose size	
				kg	lb	mm	in	l/min	cfm		mm	in
325-EU	–	–	3200	0.9	2.1	185	7.3	110	4	1/4	10	3/8
327LS	7/16" Hex.	3000	–	0.5	1.1	216	8.5	390	14	1/4	10	3/8
327-EU	10 mm	22000	–	0.7	1.6	224	8.8	425	15	1/4	10	3/8
429	–	–	9000	0.6	1.3	229*	9.0*	220	8	1/4	10	3/8
4429	–	–	5750	0.7	1.6	235*	9.2*	720	26	1/4	10	3/8
LA418A-EU	–	–	20000	1.0	2.2	208	8.2	110	4	1/4	10	3/8

* Without blade.