



Features

- ◇ For RF SAW filter
- ◇ Single-ended operation
- ◇ Ceramic Surface Mount Package
- ◇ Small size
- ◇ No matching required for operation at 50Ω
- ◇ RoHS compliant (2002/95/EC), Pb-free

Specifications

Parameter	Unit	Minimum	Typical	Maximum	
Center Frequency	MHz	-	847	-	
Insertion Loss(832~862MHz)	dB	-	1.7	3	
Passband variation(832~862MHz)	dB	-	0.7	1.5	
Group delay variation(832~862MHz)	nsec	-	28	50	
VSWR(832~862MHz)	-	-	1.7/1.8	2	
Ultimate Rejection	10~726MHz	dB	40	65	-
	726~791MHz	dB	30	52	-
	791~821MHz	dB	30	33	-
	874~884MHz	dB	8	14	-
	884~900MHz	dB	20	30	-
	900~1300MHz	dB	30	45	-
	1300~3000MHz	dB	25	30	-
Material Temperature coefficient	KHz/°C	-27.1			
Substrate Material	-	42LT			
Ambient Temperature	°C	25			
Operating Temperature Range	°C	-40	-	+85	
DC Voltage	V	0			
Input Power	dBm	-	-	20	
ESD Class	-	1A			
Package Size	SMD3.0*3.0				

Notes:

1. All specifications are based on the test circuit shown;
2. In production, all specifications are measured by Agilent Network analyzer and full 2 port calibration at room temperature;
3. Electrical margin has been built into the design to account for the variations due to temperature drift and manufacturing tolerances;
4. This is the optimum impedance in order to achieve the performance show.

	SIPAT Co., Ltd. (CETC No.26 Research Institute) #14 Nanping Huayuan Road, Chongqing, China, 400060	Part Number	LBT84704	
		Rev. Date	2010-06-07	
		Ver.	1.1	Page 1/3

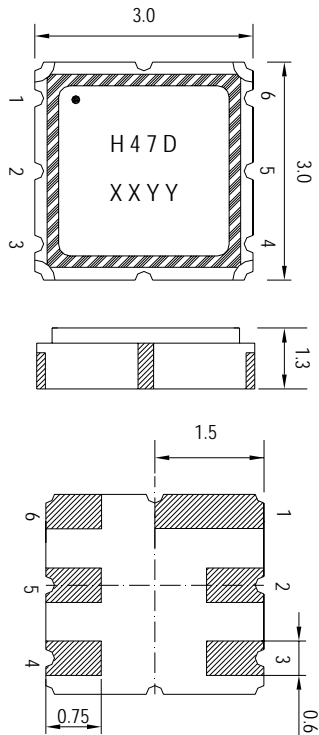
Matching Configuration



Source/Load Impedance=50 ohm

Notes - Component values may change depending on board layout.

Package Dimension



Pad Configuration:

Input: 2
Output: 5
Ground: All Others

Marking Configuration:

1) H47D: Part Number
2) XXYY: Date(Year/month)

Package: SMD3.0*3.0

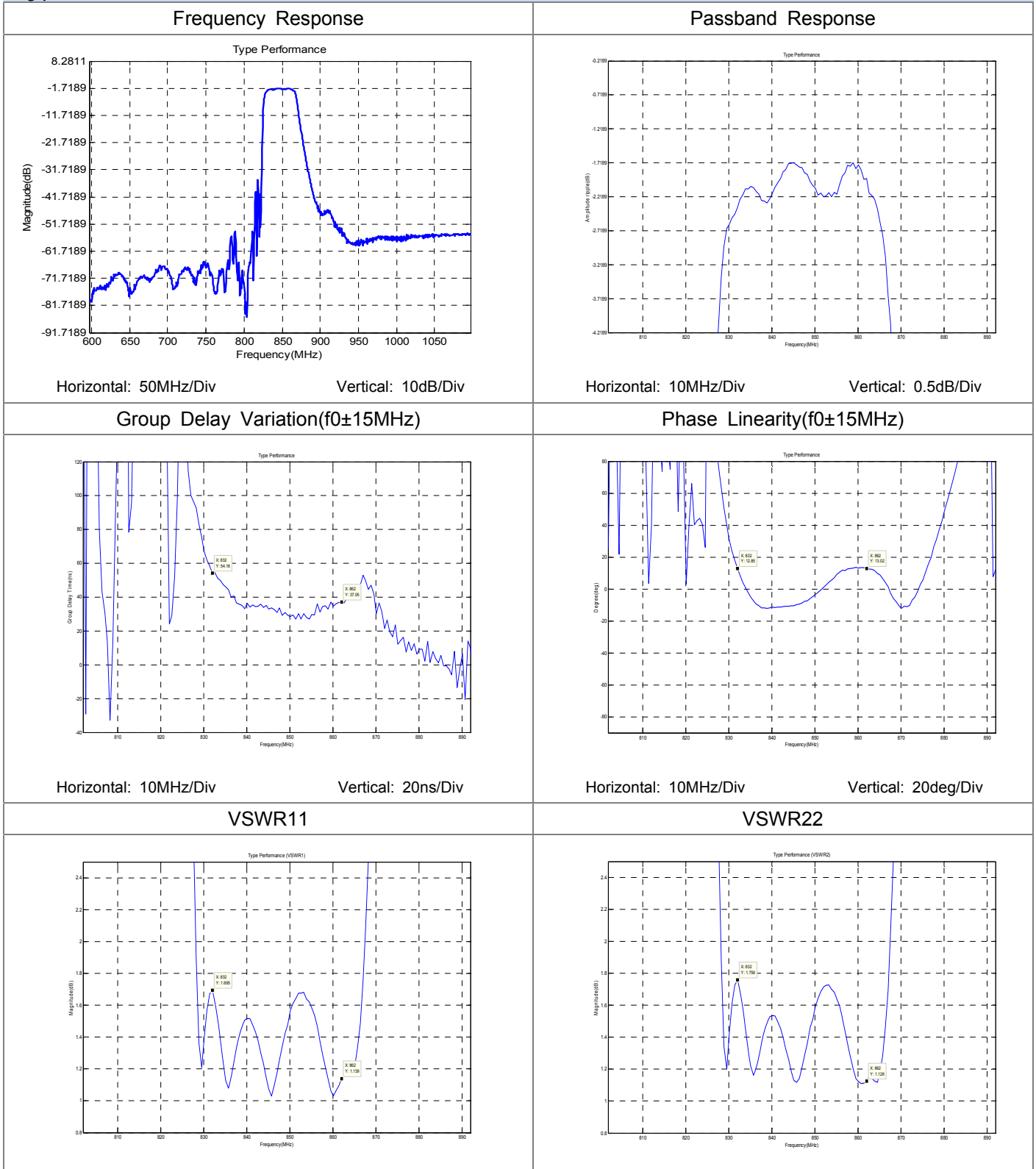
Unit: mm



SIPAT Co., Ltd.
(CETC No.26 Research Institute)
#14 Nanping Huayuan Road,
Chongqing, China, 400060

Part Number	LBT84704	
Rev. Date	2010-06-07	
Ver.	1.1	Page 2/3

Typical Performance



SIPAT Co., Ltd.
(CETC No.26 Research Institute)
#14 Nanping Huayuan Road,
Chongqing, China, 400060

Part Number	LBT84704	
Rev. Date	2010-06-07	
Ver.	1.1	Page 3/3