

### Radiation Hardened Single 16/Differential 8 Channel CMOS Analog Multiplexers with Active Overvoltage Protection

The HS-0546RH and HS-0547RH are radiation hardened analog multiplexers with Active Overvoltage Protection and guaranteed  $r_{ON}$  matching. Analog input levels may greatly exceed either power supply without damaging the device or disturbing the signal path of other channels. Active protection circuitry assures that signal fidelity is maintained even under fault conditions that would destroy other multiplexers. Analog inputs can withstand constant 70V peak-to-peak levels with  $\pm 15V$  supplies and digital inputs will sustain continuous faults up to 4V greater than either supply. In addition, signal sources are protected from short circuiting should multiplexer supply loss occur: each input presents  $1k\Omega$  of resistance under this condition. These features make the HS-0546RH and HS-0547RH ideal for use in systems where the analog inputs originate from external equipment or separately powered circuitry. Both devices are fabricated with 44V dielectrically isolated CMOS technology. The HS-0546 is a 16 channel device and the HS-0547 is an 8 channel differential version. If input overvoltage protection is not needed, the HS-0506 and HS-0507 multiplexers are recommended.

Specifications for Rad Hard QML devices are controlled by the Defense Supply Center in Columbus (DSCC). The SMD numbers listed here must be used when ordering.

Detailed Electrical Specifications for these devices are contained in SMD 5962-95693. A "hot-link" is provided on our homepage for downloading.  
<http://www.intersil.com>

### Features

- Electrically Screened to SMD # 5962-95693
- QML Qualified per MIL-PRF-38535 Requirements
- Gamma Dose . . . . .  $1 \times 10^4 \text{RAD(Si)}$
- No Latch-Up
- No Channel Interaction During Overvoltage
- Guaranteed  $r_{ON}$  Matching
- Maximum Power Supply . . . . . 44V
- Break-Before-Make Switch
- Analog Signal Range . . . . .  $\pm 15V$
- Access Time . . . . . 1.0 $\mu$ s

### Applications

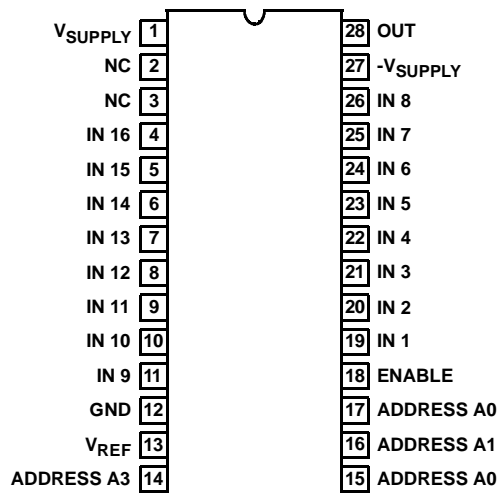
- Data Acquisition Systems
- Control Systems
- Telemetry

### Ordering Information

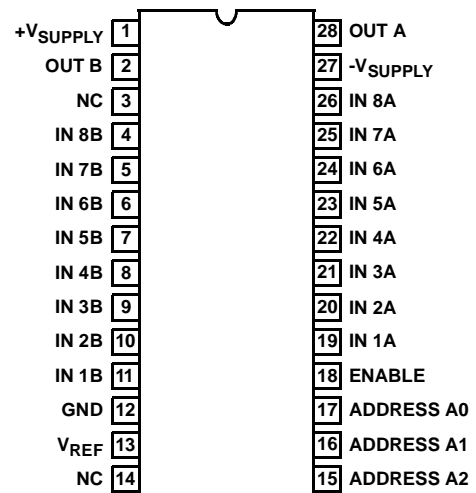
ORDERING NUMBER	INTERNAL MKT. NUMBER	TEMP. RANGE (°C)
5962D9569301V9A	HS0-0546RH-Q	25
5962D9569301VXA	HS1-0546RH-Q	-55 to 125
5962D9569301VXC	HS1B-0546RH-Q	-55 to 125
5962D9569302V9A	HS0-0547RH-Q	25
5962D9569302VXA	HS1-0547RH-Q	-55 to 125
5962D9569302VXC	HS1B-0547RH-Q	-55 to 125

### Pinouts

HS-0546RH GDIP1-T28 (CERDIP) OR CDIP2-T28 (SBDIP)  
TOP VIEW

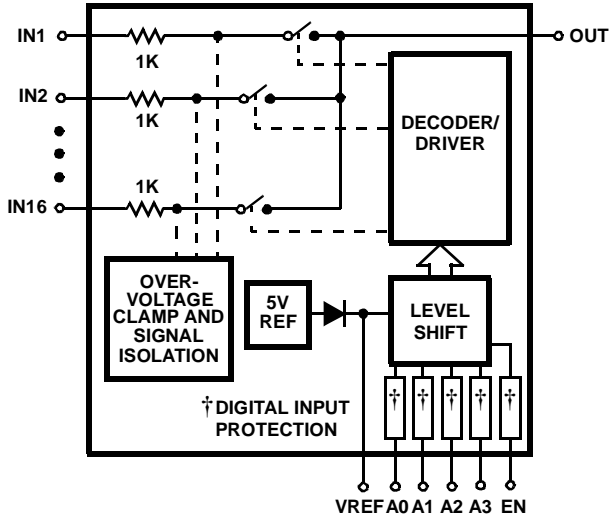


HS-0547RH GDIP1-T28 (CERDIP) OR CDIP2-T28 (SBDIP)  
TOP VIEW

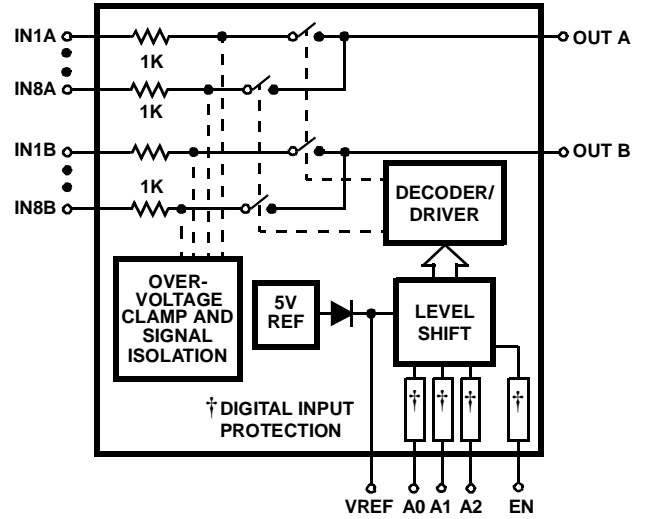


Functional Diagrams

HS-0546RH



HS-0547RH



HS-0546RH TRUTH TABLE

A3	A2	A1	A0	EN	"ON" CHANNEL
X	X	X	X	L	NONE
L	L	L	L	H	1
L	L	L	H	H	2
L	L	H	L	H	3
L	L	H	H	H	4
L	H	L	L	H	5
L	H	L	H	H	6
L	H	H	L	H	7
L	H	H	H	H	8
H	L	L	L	H	9
H	L	L	H	H	10
H	L	H	L	H	11
H	L	H	H	H	12
H	H	L	L	H	13
H	H	L	H	H	14
H	H	H	L	H	15
H	H	H	H	H	16

HS-0547RH TRUTH TABLE

A2	A1	A0	EN	"ON" CHANNEL PAIR
X	X	X	L	NONE
L	L	L	H	1
L	L	H	H	2
L	H	L	H	3
L	H	H	H	4
H	L	L	H	5
H	L	H	H	6
H	H	L	H	7
H	H	H	H	8

Switching Waveforms

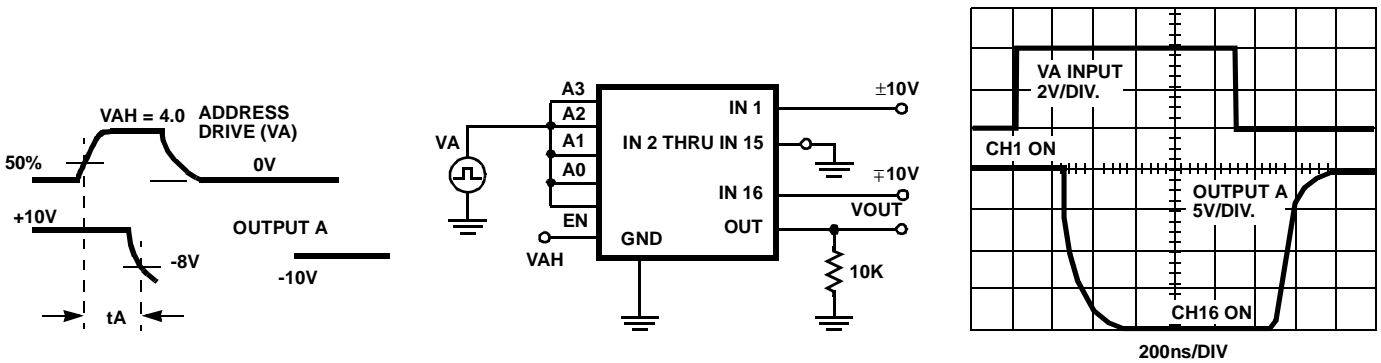


FIGURE 1. ACCESS TIME

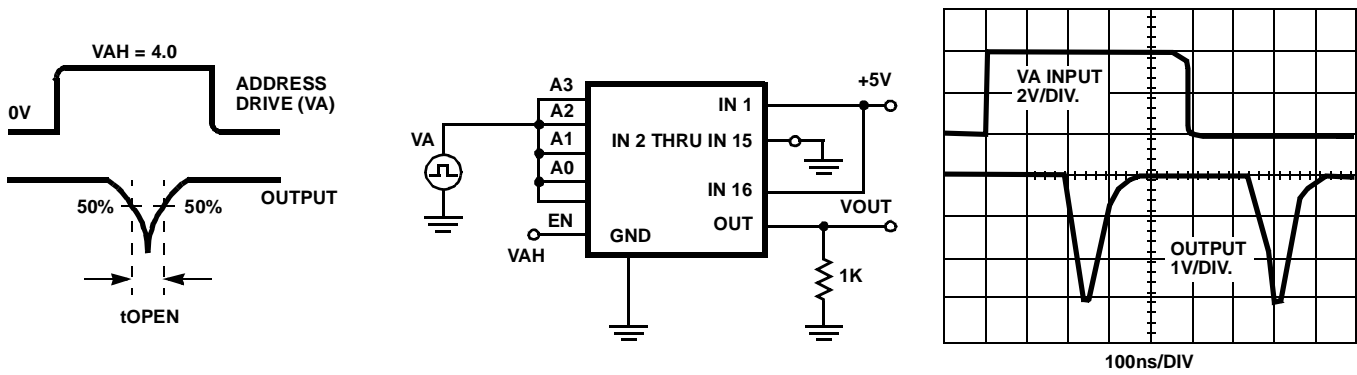


FIGURE 2. BREAK-BEFORE-MAKE DELAY ( $t_{OPEN}$ )

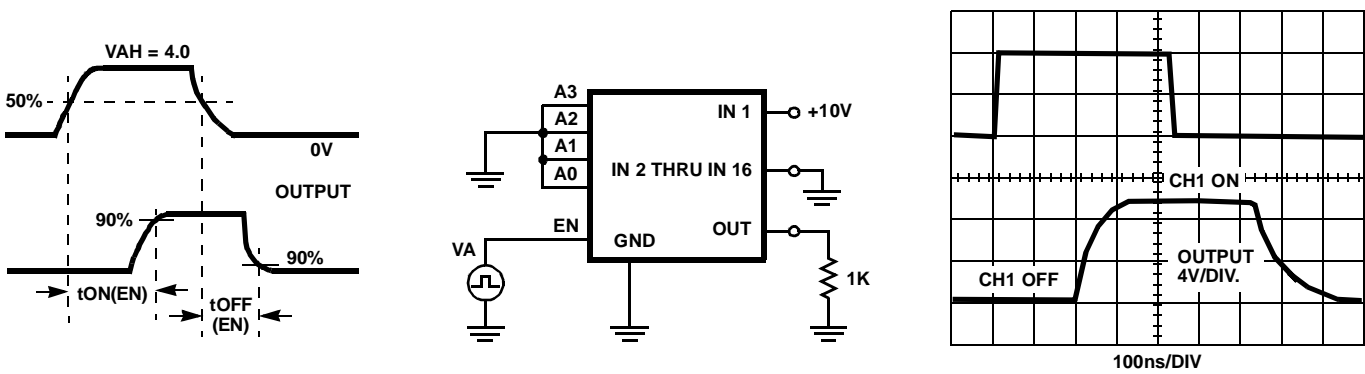


FIGURE 3. ENABLE DELAY  $t_{ON}(EN)$ ,  $t_{OFF}(EN)$

Schematic Diagrams

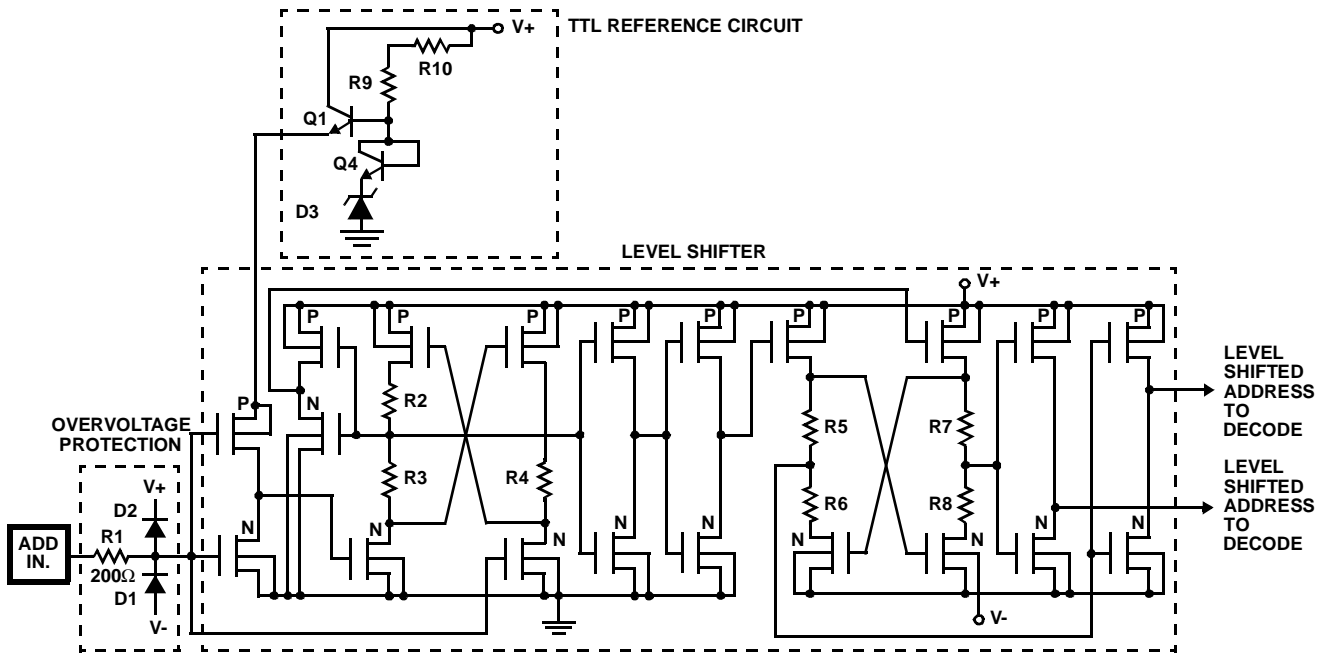


FIGURE 4. ADDRESS INPUT BUFFER AND LEVEL SHIFTER

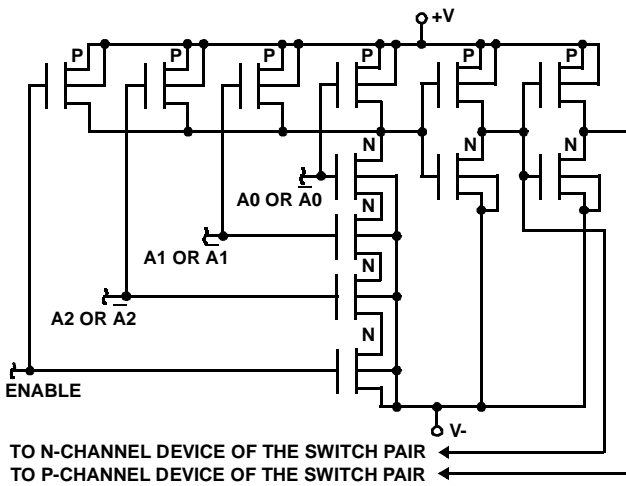


FIGURE 5. ADDRESS DECODER

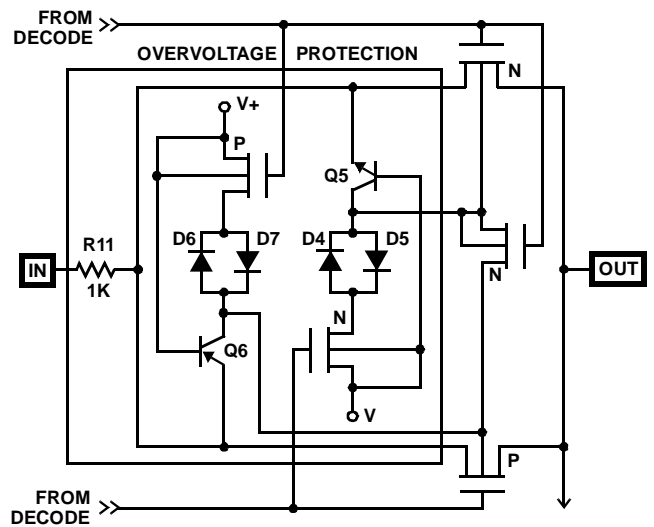
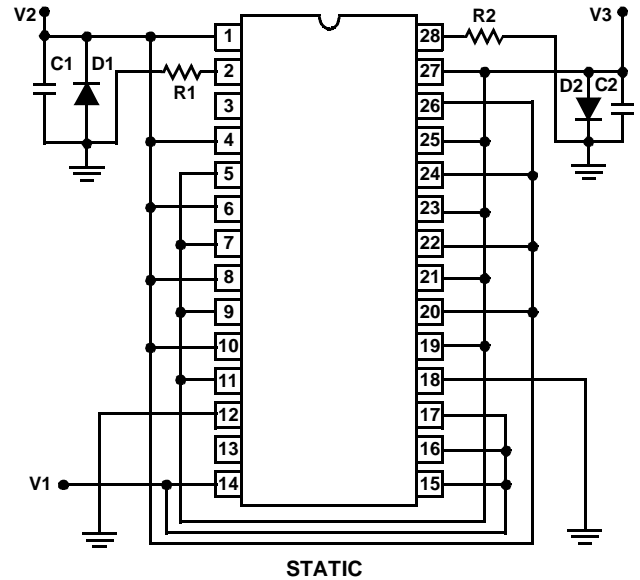
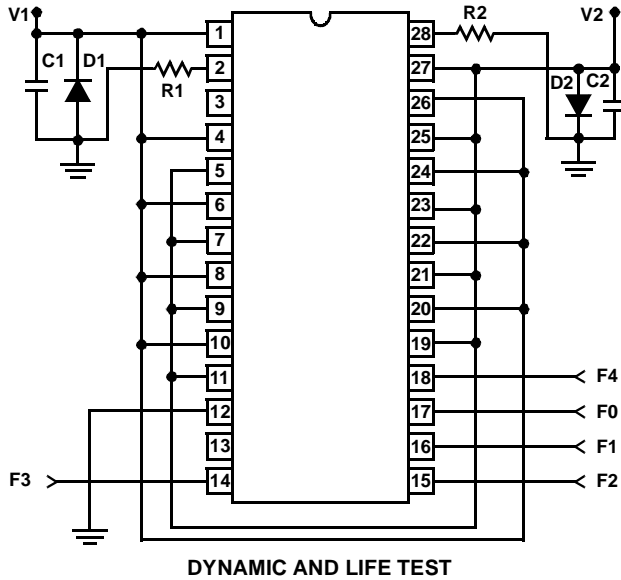


FIGURE 6. MULTIPLEX SWITCH

**Burn-In/Life Test Circuits**



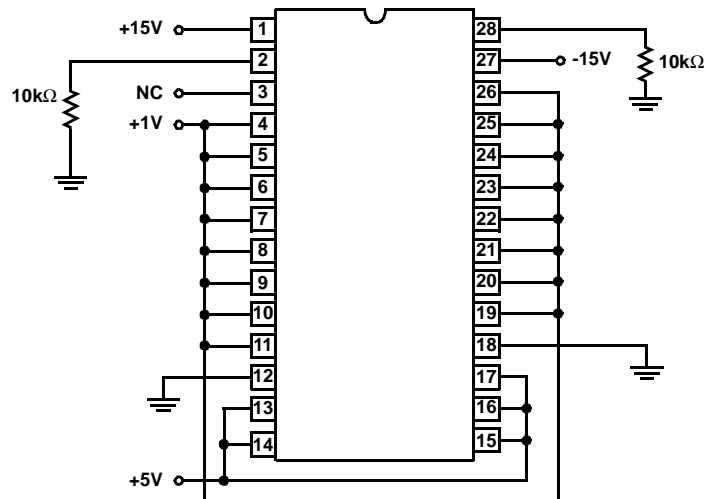
**NOTES:**

1. The Dynamic Test Circuit is utilized for all life testing.
2. V1 = +15V minimum, +16V maximum.
3. V2 = -15V maximum, -16V minimum.
4. R1, R2 = 10kΩ, ±5%, 1/4 or 1/2W (per socket).
5. C1, C2 = 0.01μF minimum (per socket) or 0.1μF minimum (per row).
6. D1, D2 = 1N4002 or equivalent (per board).
7. F0 = 100kHz, 10%; F1 = F0/2; F2 = F1/2; F3 = F2/2; F4 = F3/2  
40% - 60% duty cycle; VIL = 0.8V maximum;  
VIH = 4.0V minimum.

**NOTES:**

8. V1 = +5V minimum, +6V maximum.
9. V2 = +15V minimum, +16V maximum.
10. V3 = -15V maximum, -16V minimum.
11. R1, R2 = 10kΩ, ±5%, 1/4 or 1/2W (per socket).
12. C1, C2 = 0.01μF minimum (per socket) or 0.1μF minimum (per row).
13. D1, D2 = 1N4002 or equivalent (per board).

**Irradiation Circuit**



**Die Characteristics**

**DIE DIMENSIONS:**

83.9 mils x 159 mils x 19 mils

**INTERFACE MATERIALS:**

**Glassivation:**

Type: Nitride  
Thickness: 7kÅ ±0.7kÅ

**Top Metallization:**

Type: Al  
Thickness: 16kÅ ±2kÅ

**Substrate:**

CMOS, DI

**ASSEMBLY RELATED INFORMATION:**

**Substrate Potential:**

Unbiased (DI)

**ADDITIONAL INFORMATION:**

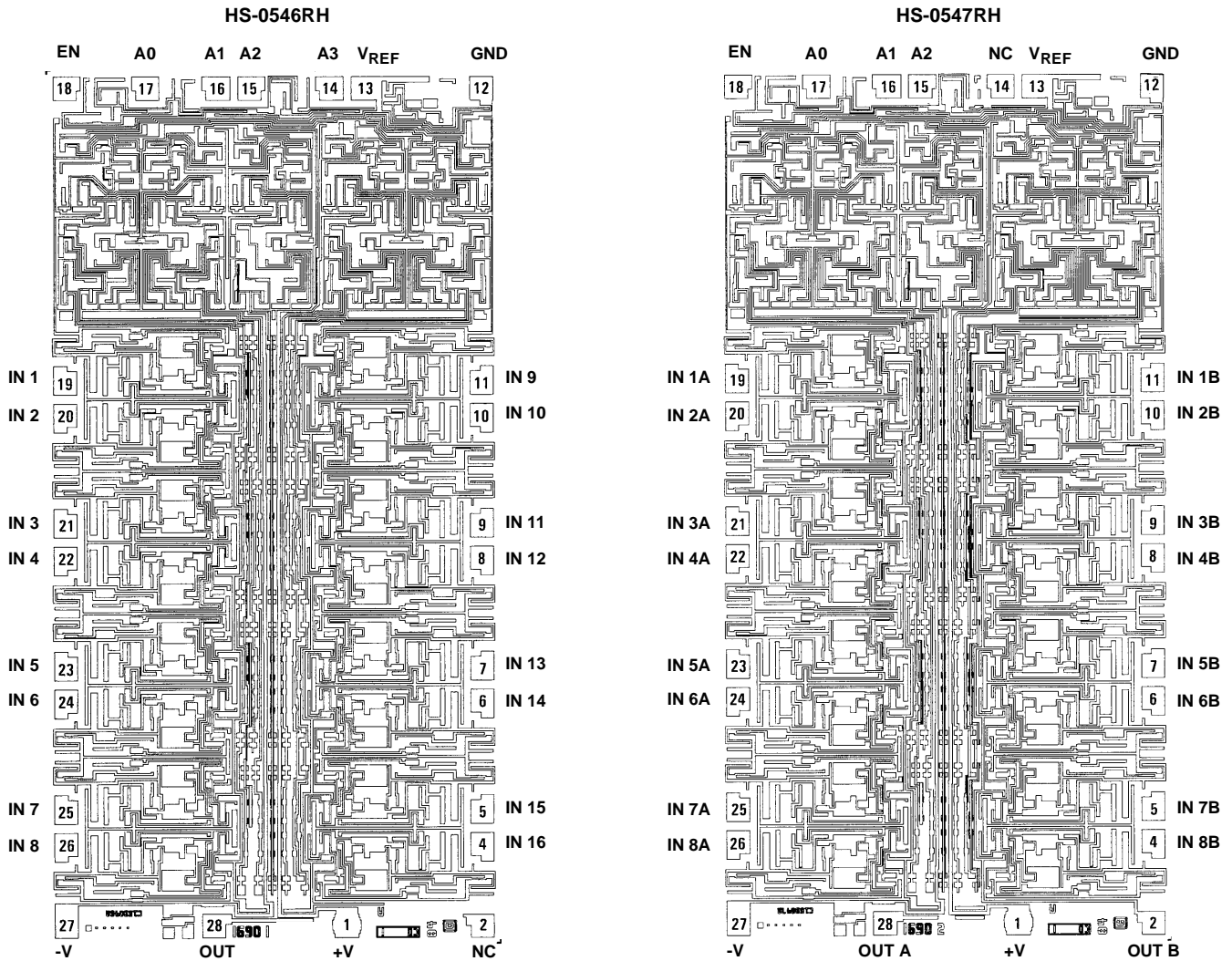
**Worst Case Current Density:**

1.4 x 10<sup>5</sup> A/cm<sup>2</sup>

**Transistor Count:**

HS-0546 - 485  
HS-0547 - 485

**Metallization Mask Layout**



All Intersil semiconductor products are manufactured, assembled and tested under ISO9000 quality systems certification.

*Intersil semiconductor products are sold by description only. Intersil Corporation reserves the right to make changes in circuit design and/or specifications at any time without notice. Accordingly, the reader is cautioned to verify that data sheets are current before placing orders. Information furnished by Intersil is believed to be accurate and reliable. However, no responsibility is assumed by Intersil or its subsidiaries for its use; nor for any infringements of patents or other rights of third parties which may result from its use. No license is granted by implication or otherwise under any patent or patent rights of Intersil or its subsidiaries.*

For information regarding Intersil Corporation and its products, see web site <http://www.intersil.com>