



HM66AQB36104/HM66AQB18204 HM66AQB9404

36-Mbit QDR™II SRAM
4-word Burst

REJ03C0048-0003Z
(Previous ADE-203-1331B (Z) Rev. 0.2)
Preliminary
Rev.0.03
Mar.31.2004

Description

The HM66AQB36104 is a 1,048,576-word by 36-bit, the HM66AQB18204 is a 2,097,152-word by 18-bit, and the HM66AQB9404 is a 4,194,304-word by 9-bit synchronous quad data rate static RAM fabricated with advanced CMOS technology using full CMOS six-transistor memory cell. It integrates unique synchronous peripheral circuitry and a burst counter. All input registers controlled by an input clock pair (K and \bar{K}) and are latched on the positive edge of K and \bar{K} . These products are suitable for applications which require synchronous operation, high speed, low voltage, high density and wide bit configuration. These products are packaged in 165-pin plastic FBGA package.

Note: QDR RAMs and Quad Data Rate RAMs comprise a new family of products developed by Cypress Semiconductor, IDT, NEC, Samsung, and Renesas Technology Corp.

Preliminary: The specifications of this device are subject to change without notice. Please contact your nearest Renesas Technology's Sales Dept. regarding specifications.

Features

- 1.8 V \pm 0.1 V power supply for core (V_{DD})
- 1.4 V to V_{DD} power supply for I/O (V_{DDQ})
- DLL circuitry for wide output data valid window and future frequency scaling
- Separate independent read and write data ports with concurrent transactions
- 100% bus utilization DDR read and write operation
- Four-tick burst for reduced address frequency
- Two input clocks (K and \bar{K}) for precise DDR timing at clock rising edges only
- Two output clocks (C and \bar{C}) for precise flight time and clock skew matching-clock and data delivered together to receiving device
- Internally self-timed write control
- Clock-stop capability with μ s restart
- User programmable impedance output
- Fast clock cycle time: 3.0 ns (333 MHz)/3.3 ns (300 MHz)/4.0 ns (250 MHz)/5.0 ns (200 MHz)/6.0 ns (167 MHz)
- Simple control logic for easy depth expansion
- JTAG boundary scan

Ordering Information

Type No.	Organization	Cycle time	Clock frequency	Package
HM66AQB36104BP-30	1-M word	3.0 ns	333 MHz	Plastic FBGA 165-pin (BP-165A)
HM66AQB36104BP-33	\times 36-bit	3.3 ns	300 MHz	
HM66AQB36104BP-40		4.0 ns	250 MHz	
HM66AQB36104BP-50		5.0 ns	200 MHz	
HM66AQB36104BP-60		6.0 ns	167 MHz	
HM66AQB18204BP-30	2-M word	3.0 ns	333 MHz	
HM66AQB18204BP-33	\times 18-bit	3.3 ns	300 MHz	
HM66AQB18204BP-40		4.0 ns	250 MHz	
HM66AQB18204BP-50		5.0 ns	200 MHz	
HM66AQB18204BP-60		6.0 ns	167 MHz	
HM66AQB9404BP-30	4-M word	3.0 ns	333 MHz	
HM66AQB9404BP-33	\times 9-bit	3.3 ns	300 MHz	
HM66AQB9404BP-40		4.0 ns	250 MHz	
HM66AQB9404BP-50		5.0 ns	200 MHz	
HM66AQB9404BP-60		6.0 ns	167 MHz	

Pin Arrangement (HM66AQB36104) 165PIN-BGA

	1	2	3	4	5	6	7	8	9	10	11
A	$\overline{\text{CQ}}$	V_{SS}	NC	$\overline{\text{W}}$	$\overline{\text{BW2}}$	$\overline{\text{K}}$	$\overline{\text{BW1}}$	$\overline{\text{R}}$	SA	NC	CQ
B	Q27	Q18	D18	SA	$\overline{\text{BW3}}$	K	$\overline{\text{BW0}}$	SA	D17	Q17	Q8
C	D27	Q28	D19	V_{SS}	SA	NC	SA	V_{SS}	D16	Q7	D8
D	D28	D20	Q19	V_{SS}	V_{SS}	V_{SS}	V_{SS}	V_{SS}	Q16	D15	D7
E	Q29	D29	Q20	V_{DDQ}	V_{SS}	V_{SS}	V_{SS}	V_{DDQ}	Q15	D6	Q6
F	Q30	Q21	D21	V_{DDQ}	V_{DD}	V_{SS}	V_{DD}	V_{DDQ}	D14	Q14	Q5
G	D30	D22	Q22	V_{DDQ}	V_{DD}	V_{SS}	V_{DD}	V_{DDQ}	Q13	D13	D5
H	$\overline{\text{DOFF}}$	V_{REF}	V_{DDQ}	V_{DDQ}	V_{DD}	V_{SS}	V_{DD}	V_{DDQ}	V_{DDQ}	V_{REF}	ZQ
J	D31	Q31	D23	V_{DDQ}	V_{DD}	V_{SS}	V_{DD}	V_{DDQ}	D12	Q4	D4
K	Q32	D32	Q23	V_{DDQ}	V_{DD}	V_{SS}	V_{DD}	V_{DDQ}	Q12	D3	Q3
L	Q33	Q24	D24	V_{DDQ}	V_{SS}	V_{SS}	V_{SS}	V_{DDQ}	D11	Q11	Q2
M	D33	Q34	D25	V_{SS}	V_{SS}	V_{SS}	V_{SS}	V_{SS}	D10	Q1	D2
N	D34	D26	Q25	V_{SS}	SA	SA	SA	V_{SS}	Q10	D9	D1
P	Q35	D35	Q26	SA	SA	C	SA	SA	Q9	D0	Q0
R	TDO	TCK	SA	SA	SA	$\overline{\text{C}}$	SA	SA	SA	TMS	TDI

(Top view)

Pin Arrangement (HM66AQB18204) 165PIN-BGA

	1	2	3	4	5	6	7	8	9	10	11
A	$\overline{\text{CQ}}$	V_{SS}	SA	$\overline{\text{W}}$	$\overline{\text{BW1}}$	$\overline{\text{K}}$	NC	$\overline{\text{R}}$	SA	NC	CQ
B	NC	Q9	D9	SA	NC	K	$\overline{\text{BW0}}$	SA	NC	NC	Q8
C	NC	NC	D10	V_{SS}	SA	NC	SA	V_{SS}	NC	Q7	D8
D	NC	D11	Q10	V_{SS}	V_{SS}	V_{SS}	V_{SS}	V_{SS}	NC	NC	D7
E	NC	NC	Q11	V_{DDQ}	V_{SS}	V_{SS}	V_{SS}	V_{DDQ}	NC	D6	Q6
F	NC	Q12	D12	V_{DDQ}	V_{DD}	V_{SS}	V_{DD}	V_{DDQ}	NC	NC	Q5
G	NC	D13	Q13	V_{DDQ}	V_{DD}	V_{SS}	V_{DD}	V_{DDQ}	NC	NC	D5
H	$\overline{\text{DOFF}}$	V_{REF}	V_{DDQ}	V_{DDQ}	V_{DD}	V_{SS}	V_{DD}	V_{DDQ}	V_{DDQ}	V_{REF}	ZQ
J	NC	NC	D14	V_{DDQ}	V_{DD}	V_{SS}	V_{DD}	V_{DDQ}	NC	Q4	D4
K	NC	NC	Q14	V_{DDQ}	V_{DD}	V_{SS}	V_{DD}	V_{DDQ}	NC	D3	Q3
L	NC	Q15	D15	V_{DDQ}	V_{SS}	V_{SS}	V_{SS}	V_{DDQ}	NC	NC	Q2
M	NC	NC	D16	V_{SS}	V_{SS}	V_{SS}	V_{SS}	V_{SS}	NC	Q1	D2
N	NC	D17	Q16	V_{SS}	SA	SA	SA	V_{SS}	NC	NC	D1
P	NC	NC	Q17	SA	SA	C	SA	SA	NC	D0	Q0
R	TDO	TCK	SA	SA	SA	$\overline{\text{C}}$	SA	SA	SA	TMS	TDI

(Top view)

Pin Arrangement (HM66AQB9404) 165PIN-BGA

	1	2	3	4	5	6	7	8	9	10	11
A	$\overline{\text{CQ}}$	V_{SS}	SA	$\overline{\text{W}}$	NC	$\overline{\text{K}}$	NC	$\overline{\text{R}}$	SA	SA	CQ
B	NC	NC	NC	SA	NC	K	$\overline{\text{BW}}$	SA	NC	NC	Q4
C	NC	NC	NC	V_{SS}	SA	NC	SA	V_{SS}	NC	NC	D4
D	NC	D5	NC	V_{SS}	V_{SS}	V_{SS}	V_{SS}	V_{SS}	NC	NC	NC
E	NC	NC	Q5	V_{DDQ}	V_{SS}	V_{SS}	V_{SS}	V_{DDQ}	NC	D3	Q3
F	NC	NC	NC	V_{DDQ}	V_{DD}	V_{SS}	V_{DD}	V_{DDQ}	NC	NC	NC
G	NC	D6	Q6	V_{DDQ}	V_{DD}	V_{SS}	V_{DD}	V_{DDQ}	NC	NC	NC
H	$\overline{\text{DOFF}}$	V_{REF}	V_{DDQ}	V_{DDQ}	V_{DD}	V_{SS}	V_{DD}	V_{DDQ}	V_{DDQ}	V_{REF}	ZQ
J	NC	NC	NC	V_{DDQ}	V_{DD}	V_{SS}	V_{DD}	V_{DDQ}	NC	Q2	D2
K	NC	NC	NC	V_{DDQ}	V_{DD}	V_{SS}	V_{DD}	V_{DDQ}	NC	NC	NC
L	NC	Q7	D7	V_{DDQ}	V_{SS}	V_{SS}	V_{SS}	V_{DDQ}	NC	NC	Q1
M	NC	NC	NC	V_{SS}	V_{SS}	V_{SS}	V_{SS}	V_{SS}	NC	NC	D1
N	NC	D8	NC	V_{SS}	SA	SA	SA	V_{SS}	NC	NC	NC
P	NC	NC	Q8	SA	SA	C	SA	SA	NC	D0	Q0
R	TDO	TCK	SA	SA	SA	$\overline{\text{C}}$	SA	SA	SA	TMS	TDI

(Top view)

Notes on Usage

- Power-on initialization cycles are required for all operations, including JTAG functions, to become normal.
- Clock recovery initialization cycles are required for read/write operations to become normal.
- Output buffer impedance can be programmed by terminating the ZQ ball to V_{SS} through a precision resistor (RQ). The value of RQ is five times the output impedance desired. The allowable range of RQ to guarantee impedance matching with a tolerance of 10% is 250 Ω typical. The total external capacitance of ZQ ball must be less than 7.5 pF.

Pin Descriptions

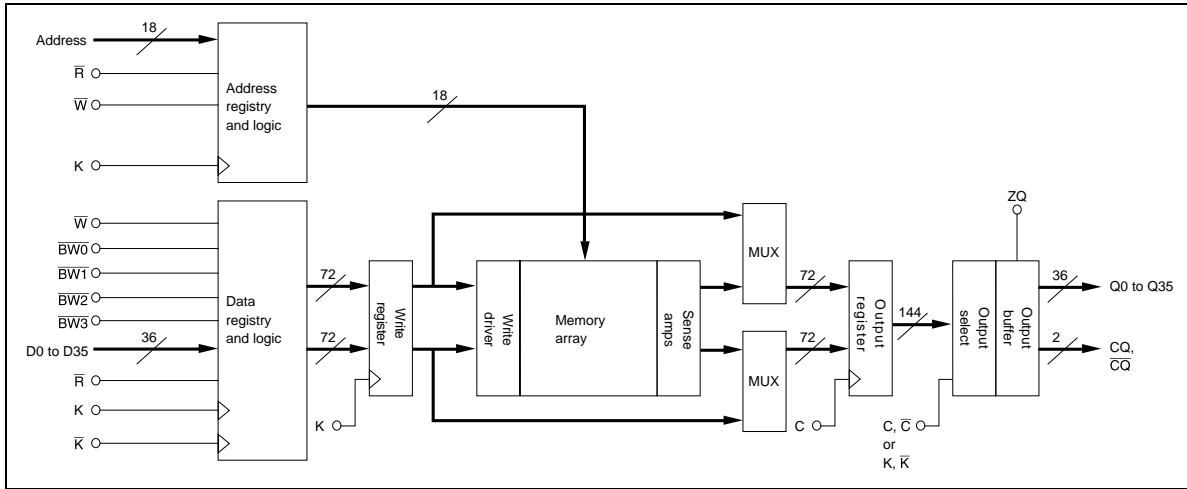
Name	I/O type	Descriptions
SA	Input	Synchronous address inputs: These inputs are registered and must meet the setup and hold times around the rising edge of K. All transactions operate on a burst-of-four words (two clock periods of bus activity). These inputs are ignored when device is deselected.
\bar{R}	Input	Synchronous read: When low, this input causes the address inputs to be registered and a READ cycle to be initiated. This input must meet setup and hold times around the rising edge of K, and is ignored on the subsequent rising edge of K.
\bar{W}	Input	Synchronous write: When low, this input causes the address inputs to be registered and a WRITE cycle to be initiated. This input must meet setup and hold times around the rising edge of K, and is ignored on the subsequent rising edge of K.
\bar{BW} \bar{BWn}	Input	Synchronous byte writes: When low, these inputs cause their respective byte to be registered and written during WRITE cycles. These signals must meet setup and hold times around the rising edges of K and \bar{K} for each of the two rising edges comprising the WRITE cycle. See Byte Write Truth Table for signal to data relationship.
K, \bar{K}	Input	Input clock: This input clock pair registers address and control inputs on the rising edge of K, and registers data on the rising edge of K and the rising edge of \bar{K} . \bar{K} is ideally 180 degrees out of phase with K. All synchronous inputs must meet setup and hold times around the clock rising edges. These balls cannot remain V_{REF} level.
C, \bar{C}	Input	Output clock: This clock pair provides a user-controlled means of tuning device output data. The rising edge of \bar{C} is used as the output timing reference for first and third output data. The rising edge of C is used as the output timing reference for second and fourth output data. Ideally, \bar{C} is 180 degrees out of phase with C. C and \bar{C} may be tied high to force the use of K and \bar{K} as the output reference clocks instead of having to provide C and \bar{C} clocks. If tied high, C and \bar{C} must remain high and not to be toggled during device operation. These balls cannot remain V_{REF} level.
\bar{DOFF}	Input	DLL disable: When low, this input causes the DLL to be bypassed for stable, low frequency operation.
ZQ	Input	Output impedance matching input: This input is used to tune the device outputs to the system data bus impedance. Q and CQ output impedance are set to $0.2 \times RQ$, where RQ is a resistor from this ball to ground. This ball can be connected directly to V_{DDQ} , which enables the minimum impedance mode. This ball cannot be connected directly to V_{SS} or left unconnected.
TMS TDI	Input	IEEE1149.1 test inputs: 1.8 V I/O levels. These balls may be left not connected if the JTAG function is not used in the circuit.
TCK	Input	IEEE1149.1 clock input: 1.8 V I/O levels. This ball must be tied to V_{SS} if the JTAG function is not used in the circuit.

HM66AQB36104/18204/9404

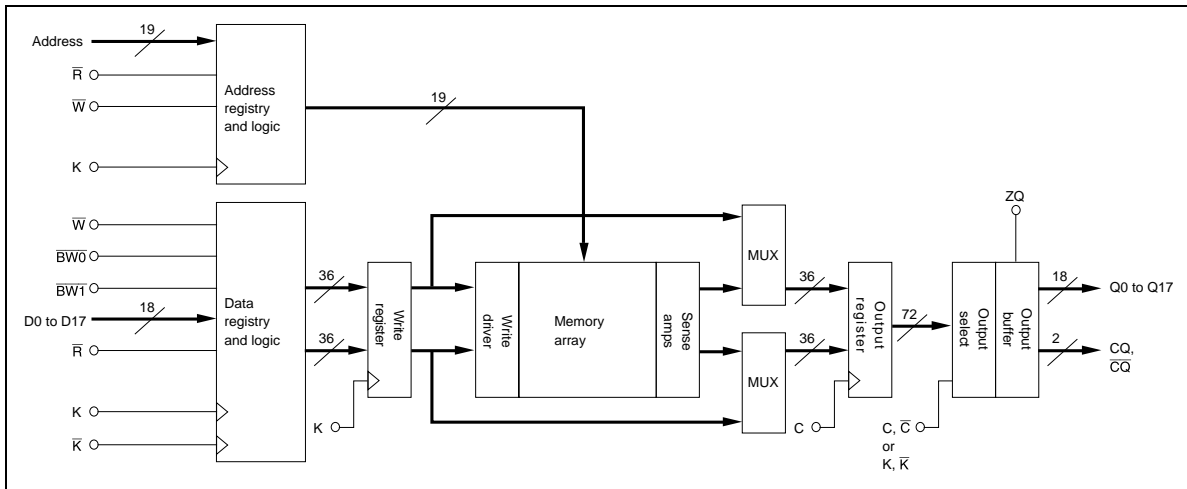
Name	I/O type	Descriptions
D0 to Dn	Input	Synchronous data inputs: Input data must meet setup and hold times around the rising edges of K and \bar{K} during WRITE operations. See Pin Arrangement figures for ball site location of individual signals. The ×9 device uses D0 to D8. Remaining signals are NC. The ×18 device uses D0 to D17. Remaining signals are NC. The ×36 device uses D0 to D35.
CQ, \bar{CQ}	Output	Synchronous echo clock outputs: The edges of these outputs are tightly matched to the synchronous data outputs and can be used as a data valid indication. These signals run freely and do not stop when Q tri-states.
TDO	Output	IEEE 1149.1 test output: 1.8 V I/O level.
Q0 to Qn	Output	Synchronous data outputs: Output data is synchronized to the respective C and \bar{C} , or to the respective K and \bar{K} if C and \bar{C} are tied high. This bus operates in response to \bar{R} commands. See Pin Arrangement figures for ball site location of individual signals. The ×9 device uses Q0 to Q8. Remaining signals are NC. The ×18 device uses Q0 to Q17. Remaining signals are NC. The ×36 device uses Q0 to Q35.
V _{DD}	Supply	Power supply: 1.8 V nominal. See DC Characteristics and Operating Conditions for range.
V _{DDQ}	Supply	Power supply: Isolated output buffer supply. Nominally 1.5 V. 1.8 V is also permissible. See DC Characteristics and Operating Conditions for range.
V _{SS}	Supply	Power supply: Ground
V _{REF}	—	HSTL input reference voltage: Nominally V _{DDQ} /2, but may be adjusted to improve system noise margin. Provides a reference voltage for the HSTL input buffers.
NC	—	No connect: These signals are internally connected. These signals may be connected to ground to improve package heat dissipation.

Note: 1. All power supply and ground balls must be connected for proper operation of the device.

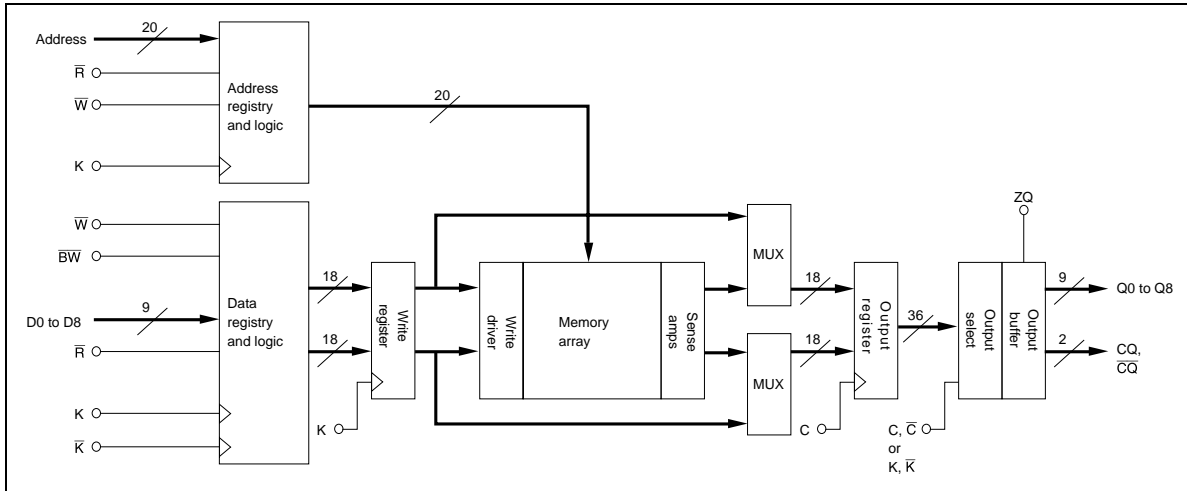
Block Diagram (HM66AQB36104)



Block Diagram (HM66AQB18204)



Block Diagram (HM66AQB9404)



Truth Table

Operation	K	\bar{R}	\bar{W}	D or Q				
WRITE cycle	L→H	H* ⁷	L* ⁸	Data in				
Load address, input write data on two consecutive K and \bar{K} rising edges				Input data	D(A+0)	D(A+1)	D(A+2)	D(A+3)
				Input clock	$\bar{K}(t+1)\uparrow$	$\bar{K}(t+1)\uparrow$	$\bar{K}(t+2)\uparrow$	$\bar{K}(t+2)\uparrow$
READ cycle	L→H	L* ⁸	×	Data out				
Load address, read data on two consecutive C and \bar{C} rising edges				Output data	Q(A+0)	Q(A+1)	Q(A+2)	Q(A+3)
				Output clock	$\bar{C}(t+1)\uparrow$	$\bar{C}(t+2)\uparrow$	$\bar{C}(t+2)\uparrow$	$\bar{C}(t+3)\uparrow$
NOP (No operation)	L→H	H	H	D = × or Q = High-Z				
STANDBY (Clock stopped)	Stopped	×	×	Previous state				

- Notes:
1. H: high level, L: low level, ×: don't care, \uparrow : rising edge.
 2. Data inputs are registered at K and \bar{K} rising edges. Data outputs are delivered at C and \bar{C} rising edges, except if C and \bar{C} are high, then data outputs are delivered at K and \bar{K} rising edges.
 3. \bar{R} and \bar{W} must meet setup/hold times around the rising edges (low to high) of K and are registered at the rising edge of K.
 4. This device contains circuitry that will ensure the outputs will be in high-Z during power-up.
 5. Refer to state diagram and timing diagrams for clarification.
 6. When clocks are stopped, the following cases are recommended; the case of K = low, \bar{K} = high, C = low and \bar{C} = high, or the case of K = high, \bar{K} = low, C = high and \bar{C} = low. This condition is not essential, but permits most rapid restart by overcoming transmission line charging symmetrically.
 7. If this signal was low to initiate the previous cycle, this signal becomes a "don't care" for this operation; however, it is strongly recommended that this signal be brought high, as shown in the truth table.
 8. This signal was high on previous K clock rising edge. Initiating consecutive READ or WRITE operations on consecutive K clock rising edges is not permitted. The device will ignore the second request.

Byte Write Truth Table

(HM66AQB36104)

Operation	K	\bar{K}	$\overline{BW0}$	$\overline{BW1}$	$\overline{BW2}$	$\overline{BW3}$
Write D0 to D35	L→H	—	L	L	L	L
	—	L→H	L	L	L	L
Write D0 to D8	L→H	—	L	H	H	H
	—	L→H	L	H	H	H
Write D9 to D17	L→H	—	H	L	H	H
	—	L→H	H	L	H	H
Write D18 to D26	L→H	—	H	H	L	H
	—	L→H	H	H	L	H
Write D27 to D35	L→H	—	H	H	H	L
	—	L→H	H	H	H	L
Write nothing	L→H	—	H	H	H	H
	—	L→H	H	H	H	H

Notes: 1. H: high level, L: low level, →: rising edge.

2. Assumes a WRITE cycle was initiated. $\overline{BW0}$ to $\overline{BW3}$ can be altered for any portion of the BURST WRITE operation provided that the setup and hold requirements are satisfied.

(HM66AQB18204)

Operation	K	\bar{K}	$\overline{BW0}$	$\overline{BW1}$
Write D0 to D17	L→H	—	L	L
	—	L→H	L	L
Write D0 to D8	L→H	—	L	H
	—	L→H	L	H
Write D9 to D17	L→H	—	H	L
	—	L→H	H	L
Write nothing	L→H	—	H	H
	—	L→H	H	H

Notes: 1. H: high level, L: low level, →: rising edge.

2. Assumes a WRITE cycle was initiated. $\overline{BW0}$ and $\overline{BW1}$ can be altered for any portion of the BURST WRITE operation provided that the setup and hold requirements are satisfied.

HM66AQB36104/18204/9404

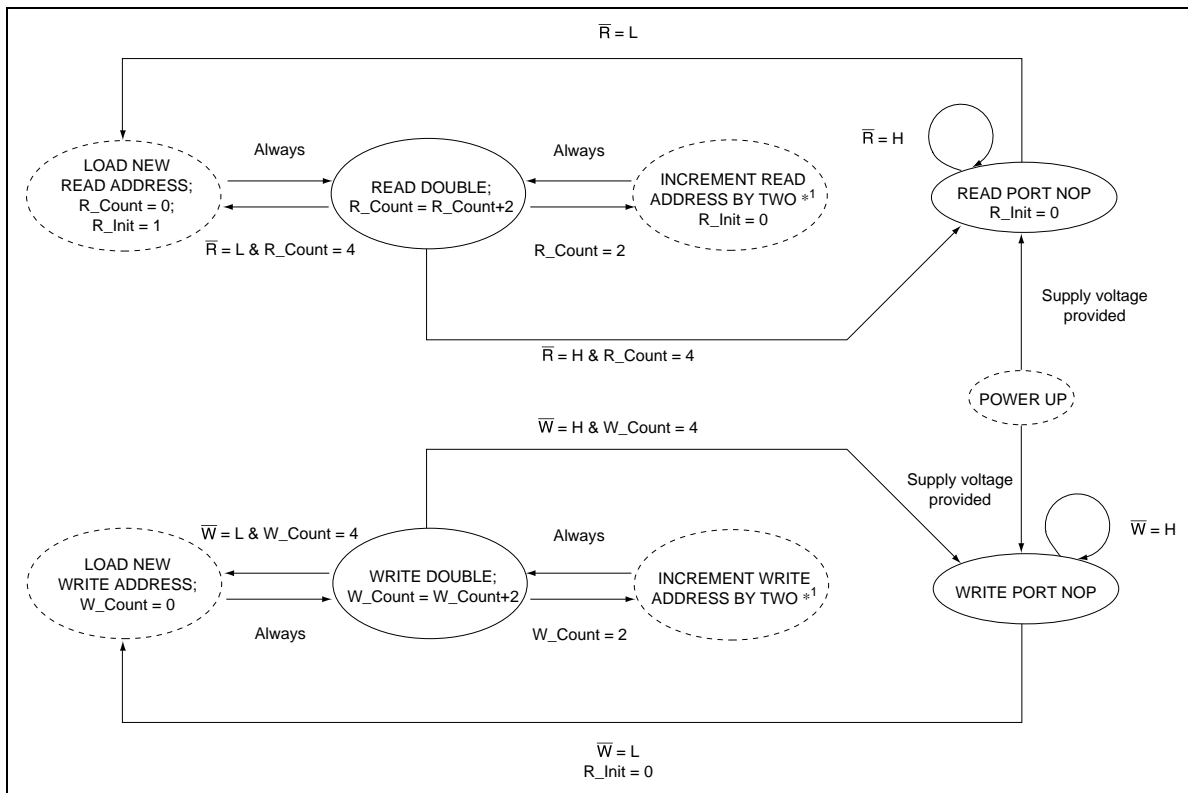
(HM66AQB9404)

Operation	K	\bar{K}	\overline{BW}
Write D0 to D8	L→H	—	L
	—	L→H	L
Write nothing	L→H	—	H
	—	L→H	H

Notes: 1. H: high level, L: low level, →: rising edge.

2. Assumes a WRITE cycle was initiated. \overline{BW} can be altered for any portion of the BURST WRITE operation provided that the setup and hold requirements are satisfied.

Bus Cycle State Diagram



- Notes: 1. The address is concatenated with two additional internal LSBs to facilitate burst operation. The address order is always fixed as: xxx...xxx+0, xxx...xxx+1, xxx...xxx+2, xxx...xxx+3. Bus cycle is terminated at the end of this sequence (burst count = 4).
2. Read and write state machines can be active simultaneously. Read and write cannot be simultaneously initiated. Read takes precedence.
3. State machine control timing sequence is controlled by K.

Absolute Maximum Ratings

Parameter	Symbol	Rating	Unit	Notes
Input voltage on any ball	V_{IN}	-0.5 to $V_{DD} + 0.5$ (2.5 V max.)	V	1, 4
Input/output voltage	V_{IO}	-0.5 to $V_{DDQ} + 0.5$ (2.5 V max.)	V	1, 4
Core supply voltage	V_{DD}	-0.5 to 2.5	V	1, 4
Output supply voltage	V_{DDQ}	-0.5 to V_{DD}	V	1, 4
Junction temperature	T_j	+125 (max)	°C	
Storage temperature	T_{STG}	-55 to +125	°C	

- Notes:
- All voltage is referenced to V_{SS} .
 - Permanent device damage may occur if Absolute Maximum Ratings are exceeded. Functional operation should be restricted the Operation Conditions. Exposure to higher than recommended voltages for extended periods of time could affect device reliability.
 - These CMOS memory circuits have been designed to meet the DC and AC specifications shown in the tables after thermal equilibrium has been established.
 - The following supply voltage application sequence is recommended: V_{SS} , V_{DD} , V_{DDQ} , V_{REF} then V_{IN} . Remember, according to the Absolute Maximum Ratings table, V_{DDQ} is not to exceed 2.5 V, whatever the instantaneous value of V_{DDQ} .

Recommended DC Operating Conditions ($T_a = 0$ to $+70^\circ\text{C}$)

Parameter	Symbol	Min	Typ	Max	Unit	Notes
Power supply voltage -- core	V_{DD}	1.7	1.8	1.9	V	
Power supply voltage -- I/O	V_{DDQ}	1.4	1.5	V_{DD}	V	
Input reference voltage -- I/O	V_{REF}	0.68	0.75	0.95	V	1
Input high voltage	$V_{IH(DC)}$	$V_{REF} + 0.1$	—	$V_{DDQ} + 0.3$	V	2, 3
Input low voltage	$V_{IL(DC)}$	-0.3	—	$V_{REF} - 0.1$	V	2, 3

- Notes:
- Peak to peak AC component superimposed on V_{REF} may not exceed 5% of V_{REF} .
 - Overshoot: $V_{IH(AC)} \leq V_{DDQ} + 0.5$ V for $t \leq t_{KHKH}/2$
 Undershoot: $V_{IL(AC)} \geq -0.5$ V for $t \leq t_{KHKL}/2$
 Power-up: $V_{IH} \leq V_{DDQ} + 0.3$ V and $V_{DD} \leq 1.7$ V and $V_{DDQ} \leq 1.4$ V for $t \leq 200$ ms
 During normal operation, V_{DDQ} must not exceed V_{DD} .
 Control input signals may not have pulse widths less than t_{KHKL} (min) or operate at cycle rates less than t_{KHKH} (min).
 - These are DC test criteria. The AC V_{IH} / V_{IL} levels are defined separately to measure timing parameters.

DC Characteristics ($T_a = 0$ to $+70^\circ\text{C}$, $V_{DD} = 1.8\text{ V} \pm 0.1\text{ V}$)

		HM66AQB36104/HM66AQB18204 HM66AQB9404							
			-30	-33	-40	-50	-60		
Parameter	Symbol	Max						Unit	Notes
Operating supply current (READ / WRITE)	($\times 9 / \times 18$)	I_{DD}	900	840	740	620	550	mA	1, 2, 3
	($\times 36$)	I_{DD}	960	900	800	670	590	mA	1, 2, 3
Standby supply current (NOP)	($\times 9 / \times 18 / \times 36$)	I_{SB1}	350	330	300	280	260	mA	2, 4, 5

Parameter	Symbol	Min	Max	Unit	Test conditions	Notes
Input leakage current	I_{LI}	-2	2	μA		10
Output leakage current	I_{LO}	-2	2	μA		11
Output high voltage (Low)	V_{OH}	$V_{DDQ} - 0.2$	V_{DDQ}	V	$ I_{OH} \leq 0.1\text{ mA}$	8, 9
	V_{OH}	$V_{DDQ}/2 - 0.08$	$V_{DDQ}/2 + 0.08$	V	Notes6	8, 9
Output low voltage (Low)	V_{OL}	V_{SS}	0.2	V	$I_{OL} \leq 0.1\text{ mA}$	8, 9
	V_{OL}	$V_{DDQ}/2 - 0.08$	$V_{DDQ}/2 + 0.08$	V	Notes7	8, 9

- Notes:
- All inputs (except ZQ, V_{REF}) are held at either V_{IH} or V_{IL} .
 - $I_{OUT} = 0\text{ mA}$. $V_{DD} = V_{DD}\text{ max}$, $t_{KHKH} = t_{KHKH}\text{ min}$.
 - Operating supply currents are measured at 100% bus utilization.
 - All address / data inputs are static at either $V_{IN} > V_{IH}$ or $V_{IN} < V_{IL}$.
 - NOP currents are valid when entering NOP after all pending READ and WRITE cycles are completed.
 - Outputs are impedance-controlled. $|I_{OH}| = (V_{DDQ}/2)/(RQ/5)$ for values of $175\ \Omega \leq RQ \leq 350\ \Omega$.
 - Outputs are impedance-controlled. $I_{OL} = (V_{DDQ}/2)/(RQ/5)$ for values of $175\ \Omega \leq RQ \leq 350\ \Omega$.
 - AC load current is higher than the shown DC values. AC I/O curves are available upon request.
 - HSTL outputs meet JEDEC HSTL Class I and Class II standards.
 - $0.0 \leq V_{IN} \leq V_{DDQ}$ for all input balls (except V_{REF} , ZQ, TCK, TMS, TDI ball).
 - $11.0 \leq V_{OUT} \leq V_{DDQ}$ (except TDO ball), output disabled.

Capacitance ($T_a = +25^\circ\text{C}$, $f = 1.0\text{ MHz}$, $V_{DD} = 1.8\text{ V}$, $V_{DDQ} = 1.5\text{ V}$)

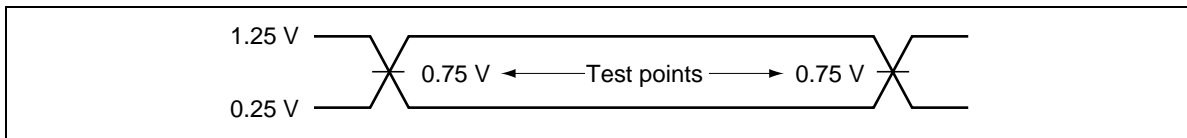
Parameter	Symbol	Min	Typ	Max	Unit	Test conditions
Input capacitance	C_{IN}	—	4	5	pF	$V_{IN} = 0\text{ V}$
Clock input capacitance	C_{CLK}	—	5	6	pF	$V_{CLK} = 0\text{ V}$
Input/output capacitance (D, Q, ZQ)	C_{IO}	—	6	7	pF	$V_{IO} = 0\text{ V}$

- Notes: 1. These parameters are sampled and not 100% tested.
 2. Except JTAG (TCK, TMS, TDI, TDO) pins.

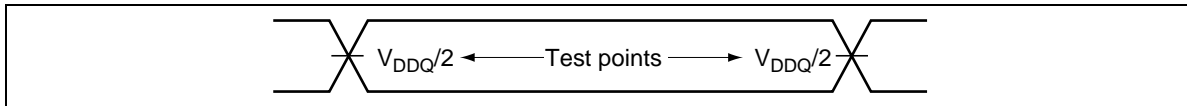
AC Characteristics ($T_a = 0\text{ to }+70^\circ\text{C}$, $V_{DD} = 1.8\text{ V} \pm 0.1\text{ V}$)

Test Conditions

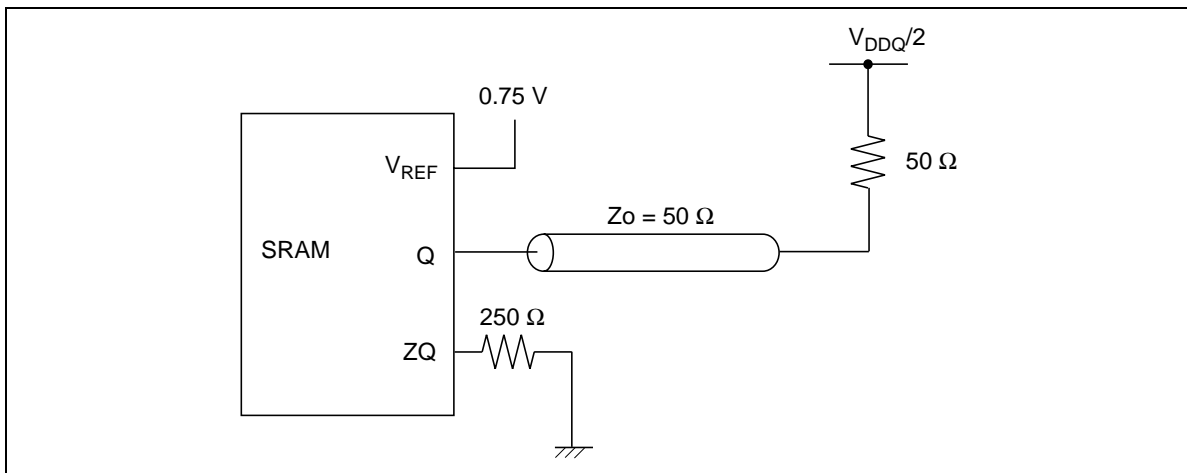
Input waveform (Rise/fall time $\leq 0.3\text{ ns}$)



Output waveform



Output load condition



Operating Conditions

Parameter	Symbol	Min	Typ	Max	Unit	Notes
Input high voltage	$V_{IH(AC)}$	$V_{REF} + 0.2$	—	—	V	1, 2, 3, 4
Input low voltage	$V_{IL(AC)}$	—	—	$V_{REF} - 0.2$	V	1, 2, 3, 4

- Notes:
- All voltages referenced to V_{SS} (GND).
 - These conditions are for AC functions only, not for AC parameter test.
 - Overshoot: $V_{IH(AC)} \leq V_{DDQ} + 0.5 \text{ V}$ for $t \leq t_{KHKL}/2$

Undershoot: $V_{IL(AC)} \geq -0.5 \text{ V}$ for $t \leq t_{KHKL}/2$

Power-up: $V_{IH} \leq V_{DDQ} + 0.3 \text{ V}$ and $V_{DD} \leq 1.7 \text{ V}$ and $V_{DDQ} \leq 1.4 \text{ V}$ for $t \leq 200 \text{ ms}$

During normal operation, V_{DDQ} must not exceed V_{DD} . Control input signals may not have pulse widths less than t_{KHKL} (min) or operate at cycle rates less than t_{KHKL} (min).
 - To maintain a valid level, the transitioning edge of the input must:
 - Sustain a constant slew rate from the current AC level through the target AC level, $V_{IL(AC)}$ or $V_{IH(AC)}$.
 - Reach at least the target AC level.
 - After the AC target level is reached, continue to maintain at least the target DC level, $V_{IL(DC)}$ or $V_{IH(DC)}$.

HM66AQB36104/18204/9404

		HM66AQB36104/HM66AQB18204 HM66AQB9404											
		-30		-33		-40		-50		-60			
Parameter	Symbol	Min	Max	Min	Max	Min	Max	Min	Max	Min	Max	Unit	Notes
Average clock cycle time (K, \bar{K} , C, \bar{C})	t_{KHKL}	3.00	3.47	3.30	4.20	4.00	5.25	5.00	6.30	6.00	7.88	ns	
Clock phase jitter (K, \bar{K} , C, \bar{C})	t_{KC} var	—	0.20	—	0.20	—	0.20	—	0.20	—	0.20	ns	3
Clock high time (K, \bar{K} , C, \bar{C})	t_{KHKL}	1.20	—	1.32	—	1.60	—	2.00	—	2.40	—	ns	
Clock low time (K, \bar{K} , C, \bar{C})	t_{KLKH}	1.20	—	1.32	—	1.60	—	2.00	—	2.40	—	ns	
Clock to clock (K to \bar{K} , C to \bar{C})	$t_{KH/KH}$	1.35	—	1.49	—	1.80	—	2.20	—	2.70	—	ns	
Clock to clock (\bar{K} to K, \bar{C} to C)	$t_{/KH/KH}$	1.35	—	1.49	—	1.80	—	2.20	—	2.70	—	ns	
Clock to data clock (K to C, \bar{K} to \bar{C})	t_{KHCH}	0	1.30	0	1.45	0	1.80	0	2.30	0	2.80	ns	
DLL lock time (K, C)	t_{KC} lock	1,024	—	1,024	—	1,024	—	1,024	—	1,024	—	Cycle	2
K static to DLL reset	t_{KC} reset	30	—	30	—	30	—	30	—	30	—	ns	7
C, \bar{C} high to output valid	t_{CHQV}	—	0.45	—	0.45	—	0.45	—	0.45	—	0.50	ns	
C, \bar{C} high to output hold	t_{CHQX}	-0.45	—	-0.45	—	-0.45	—	-0.45	—	-0.50	—	ns	
C, \bar{C} high to echo clock valid	t_{CHCQV}	—	0.45	—	0.45	—	0.45	—	0.45	—	0.50	ns	
C, \bar{C} high to echo clock hold	t_{CHCQX}	-0.45	—	-0.45	—	-0.45	—	-0.45	—	-0.50	—	ns	
CQ, \bar{CQ} high to output valid	t_{CQHQV}	—	0.25	—	0.27	—	0.30	—	0.35	—	0.40	ns	4, 7
CQ, \bar{CQ} high to output hold	t_{CQHQX}	-0.25	—	-0.27	—	-0.30	—	-0.35	—	-0.40	—	ns	4, 7
C, \bar{C} high to output high-Z	t_{CHQZ}	—	0.45	—	0.45	—	0.45	—	0.45	—	0.50	ns	5
C, \bar{C} high to output low-Z	t_{CHQX1}	-0.45	—	-0.45	—	-0.45	—	-0.45	—	-0.50	—	ns	5

HM66AQB36104/18204/9404

		HM66AQB36104/HM66AQB18204 HM66AQB9404											
		-30		-33		-40		-50		-60			
Parameter	Symbol	Min	Max	Min	Max	Min	Max	Min	Max	Min	Max	Unit	Notes
Address valid to K rising edge	t_{AVKH}	0.40	—	0.40	—	0.50	—	0.60	—	0.70	—	ns	1
Control inputs valid to K rising edge	t_{IVKH}	0.40	—	0.40	—	0.50	—	0.60	—	0.70	—	ns	1
Data-in valid to K, \bar{K} rising edge	t_{DVKH}	0.28	—	0.30	—	0.35	—	0.40	—	0.50	—	ns	1
K rising edge to address hold	t_{KHAX}	0.40	—	0.40	—	0.50	—	0.60	—	0.70	—	ns	1
K rising edge to control inputs hold	t_{KHIX}	0.40	—	0.40	—	0.50	—	0.60	—	0.70	—	ns	1
K, \bar{K} rising edge to data-in hold	t_{KHDX}	0.28	—	0.30	—	0.35	—	0.40	—	0.50	—	ns	1

- Notes:
1. This is a synchronous device. All addresses, data and control lines must meet the specified setup and hold times for all latching clock edges.
 2. V_{DD} slew rate must be less than 0.1 V DC per 50 ns for DLL lock retention. DLL lock time begins once V_{DD} and input clock are stable. It is recommended that the device is kept inactive during these cycles.
 3. Clock phase jitter is the variance from clock rising edge to the next expected clock rising edge.
 4. Echo clock is very tightly controlled to data valid / data hold. By design, there is a ± 0.1 ns variation from echo clock to data. The datasheet parameters reflect tester guardbands and test setup variations.
 5. Transitions are measured ± 100 mV from steady-state voltage.
 6. At any given voltage and temperature t_{CHQZ} is less than t_{CHQX1} and t_{CHQZ} less than t_{CHQV} .
 7. These parameters are sampled.

- Remarks:
1. Test conditions as specified with the output loading as shown in AC Test Conditions unless otherwise noted.
 2. Control input signals may not be operated with pulse widths less than t_{KHKL} (min).
 3. If C, \bar{C} are tied high, K, \bar{K} become the references for C, \bar{C} timing parameters.
 4. V_{DDQ} is +1.5 V DC.
 5. Control signals are \bar{R} , \bar{W} , \bar{BW} , $\bar{BW0}$, $\bar{BW1}$, $\bar{BW2}$ and $\bar{BW3}$.

JTAG Specification

These products support a limited set of JTAG functions as in IEEE standard 1149.1.

Disabling the Test Access Port

It is possible to use this device without utilizing the TAP. To disable the TAP controller without interfering with normal operation of the device, TCK must be tied to V_{SS} to preclude mid level inputs.

TDI and TMS are designed so an undriven input will produce a response identical to the application of a logic 1, and may be left unconnected. But they may also be tied to V_{DD} through a 1k Ω resistor.

TDO should be left unconnected.

Test Access Port (TAP) Pins

Symbol I/O	Pin assignments	Description
TCK	2R	Test clock input. All inputs are captured on the rising edge of TCK and all outputs propagate from the falling edge of TCK.
TMS	10R	Test mode select. This is the command input for the TAP controller state machine.
TDI	11R	Test data input. This is the input side of the serial registers placed between TDI and TDO. The register placed between TDI and TDO is determined by the state of the TAP controller state machine and the instruction that is currently loaded in the TAP instruction.
TDO	1R	Test data output. Output changes in response to the falling edge of TCK. This is the output side of the serial registers placed between TDI and TDO.

Note: The device does not have TRST (TAP reset). The Test-Logic Reset state is entered while TMS is held high for five rising edges of TCK. The TAP controller state is also reset on SRAM POWER-UP.

TAP DC Operating Characteristics ($T_a = 0$ to $+70^\circ\text{C}$, $V_{DD} = 1.8\text{ V} \pm 0.1\text{ V}$)

Parameter	Symbol	Min	Max	Unit	Conditions
Input high voltage	V_{IH}	+1.3	$V_{DD} + 0.3$	V	
Input low voltage	V_{IL}	-0.3	+0.5	V	
Input leakage current	I_{LI}	-5.0	+5.0	μA	$0\text{ V} \leq V_{IN} \leq V_{DD}$
Output leakage current	I_{LO}	-5.0	+5.0	μA	$0\text{ V} \leq V_{IN} \leq V_{DD}$, output disabled
Output low voltage	V_{OL1}	—	0.2	V	$I_{OLC} = 100\ \mu\text{A}$
	V_{OL2}	—	0.4	V	$I_{OLT} = 2\ \text{mA}$
Output high voltage	V_{OH1}	1.6	—	V	$ I_{OHC} = 100\ \mu\text{A}$
	V_{OH2}	1.4	—	V	$ I_{OHT} = 2\ \text{mA}$

Notes: 1. All voltages referenced to V_{SS} (GND).

2. Power-up: $V_{IH} \leq V_{DDQ} + 0.3\text{ V}$ and $V_{DD} \leq +1.7\text{ V}$ and $V_{DDQ} \leq +1.4\text{ V}$ for $t \leq 200\text{ ms}$.

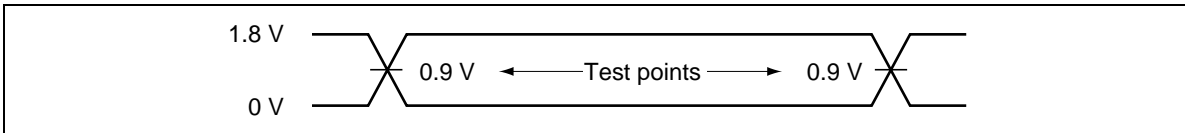
3. In "EXTEST" mode and "SAMPLE" mode, V_{DDQ} is nominally 1.5 V.

4. ZQ: $V_{IH} = V_{DDQ}$.

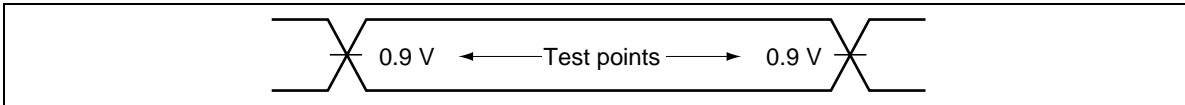
TAP AC Test Condition

- Temperature $0^{\circ}\text{C} \leq T_a \leq +70^{\circ}\text{C}$
- Input timing measurement reference levels 0.9 V
- Input pulse levels 0 V to 1.8 V
- Input rise/fall time $\leq 1.0 \text{ ns}$
- Output timing measurement reference levels 0.9 V
- Test load termination supply voltage (V_{TT}) 0.9 V
- Output load See figures

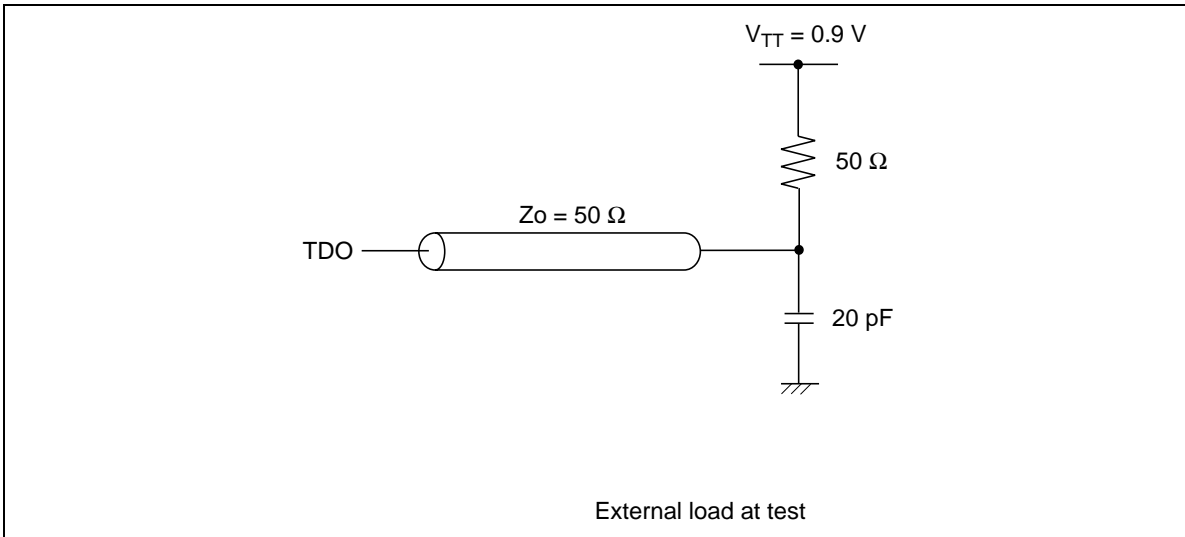
Input waveform



Output waveform



Output load

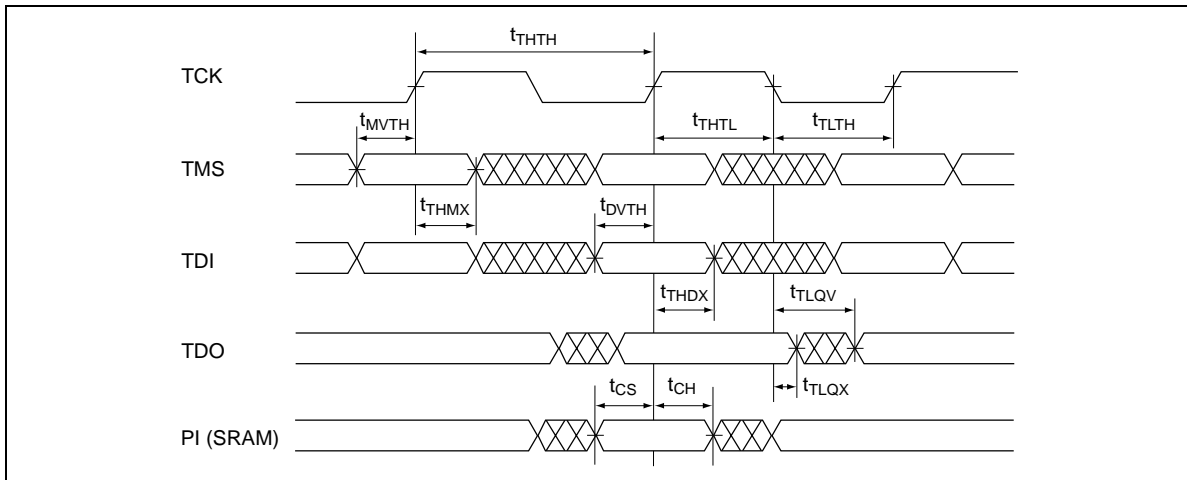


TAP AC Operating Characteristics ($T_a = 0$ to $+70^\circ\text{C}$, $V_{DD} = 1.8\text{ V} \pm 0.1\text{ V}$)

Parameter	Symbol	Min	Max	Unit	Note
Test clock cycle time	t_{THTH}	100	—	ns	
Test clock high pulse width	t_{THTL}	40	—	ns	
Test clock low pulse width	t_{TLTH}	40	—	ns	
Test mode select setup	t_{MVTH}	10	—	ns	
Test mode select hold	t_{THMX}	10	—	ns	
Capture setup	t_{CS}	10	—	ns	1
Capture hold	t_{CH}	10	—	ns	1
TDI valid to TCK high	t_{DVTH}	10	—	ns	
TCK high to TDI invalid	t_{THDX}	10	—	ns	
TCK low to TDO unknown	t_{TLQX}	0	—	ns	
TCK low to TDO valid	t_{TLQV}	—	20	ns	

Note: 1. $t_{CS} + t_{CH}$ defines the minimum pause in RAM I/O pad transitions to assure pad data capture.

TAP Controller Timing Diagram



Test Access Port Registers

Register name	Length	Symbol
Instruction register	3 bits	IR [2:0]
Bypass register	1 bit	BP
ID register	32 bits	ID [31:0]
Boundary scan register	109 bits	BS [109:1]

TAP Controller Instruction Set

IR2	IR1	IR0	Instruction	Description	Notes
0	0	0	EXTEST	The EXTEST instruction allows circuitry external to the component package to be tested. Boundary scan register cells at output balls are used to apply test vectors, while those at input balls capture test results. Typically, the first test vector to be applied using the EXTEST instruction will be shifted into the boundary scan register using the PRELOAD instruction. Thus, during the Update-IR state of EXTEST, the output driver is turned on and the PRELOAD data is driven onto the output balls.	1, 2, 3
0	0	1	IDCODE	The IDCODE instruction causes the ID ROM to be loaded into the ID register when the controller is in capture-DR mode and places the ID register between the TDI and TDO balls in shift-DR mode. The IDCODE instruction is the default instruction loaded in at power up and any time the controller is placed in the Test-Logic-Reset state.	
0	1	0	SAMPLE-Z	If the SAMPLE-Z instruction is loaded in the instruction register, all RAM outputs are forced to an inactive drive state (high-Z), moving the TAP controller into the capture-DR state loads the data in the RAMs input into the boundary scan register, and the boundary scan register is connected between TDI and TDO when the TAP controller is moved to the shift-DR state.	3, 4
0	1	1	RESERVED	The RESERVED instructions are not implemented but are reserved for future use. Do not use these instructions.	
1	0	0	SAMPLE (/PRELOAD)	When the SAMPLE instruction is loaded in the instruction register, moving the TAP controller into the capture-DR state loads the data in the RAMs input and I/O buffers into the boundary scan register. Because the RAM clock(s) are independent from the TAP clock (TCK) it is possible for the TAP to attempt to capture the I/O ring contents while the input buffers are in transition (i.e., in a metastable state). Although allowing the TAP to SAMPLE metastable input will not harm the device, repeatable results cannot be expected. Moving the controller to shift-DR state then places the boundary scan register between the TDI and TDO balls.	3
1	0	1	RESERVED		
1	1	0	RESERVED		
1	1	1	BYPASS	The BYPASS instruction is loaded in the instruction register when the bypass register is placed between TDI and TDO. This occurs when the TAP controller is moved to the shift-DR state. This allows the board level scan path to be shortened to facilitate testing of other devices in the scan path.	

HM66AQB36104/18204/9404

- Notes:
1. Data in output register is not guaranteed if EXTEST instruction is loaded.
 2. After performing EXTEST, power-up conditions are required in order to return part to normal operation.
 3. RAM input signals must be stabilized for long enough to meet the TAPs input data capture setup plus hold time (t_{cs} plus t_{ch}). The RAMs clock inputs need not be paused for any other TAP operation except capturing the I/O ring contents into the boundary scan register.
 4. Clock recovery initialization cycles are required to return from the SAMPLE-Z instruction.

ID Register

Part	Revision number (31:29)	Type number (28:12)	Vendor JEDEC code (11:1)	Start bit (0)
HM66AQB36104	000	00010011010101010	01000100011	1
HM66AQB18204	000	00010010010101010	01000100011	1
HM66AQB9404	000	00010000010101010	01000100011	1

Boundary Scan Order

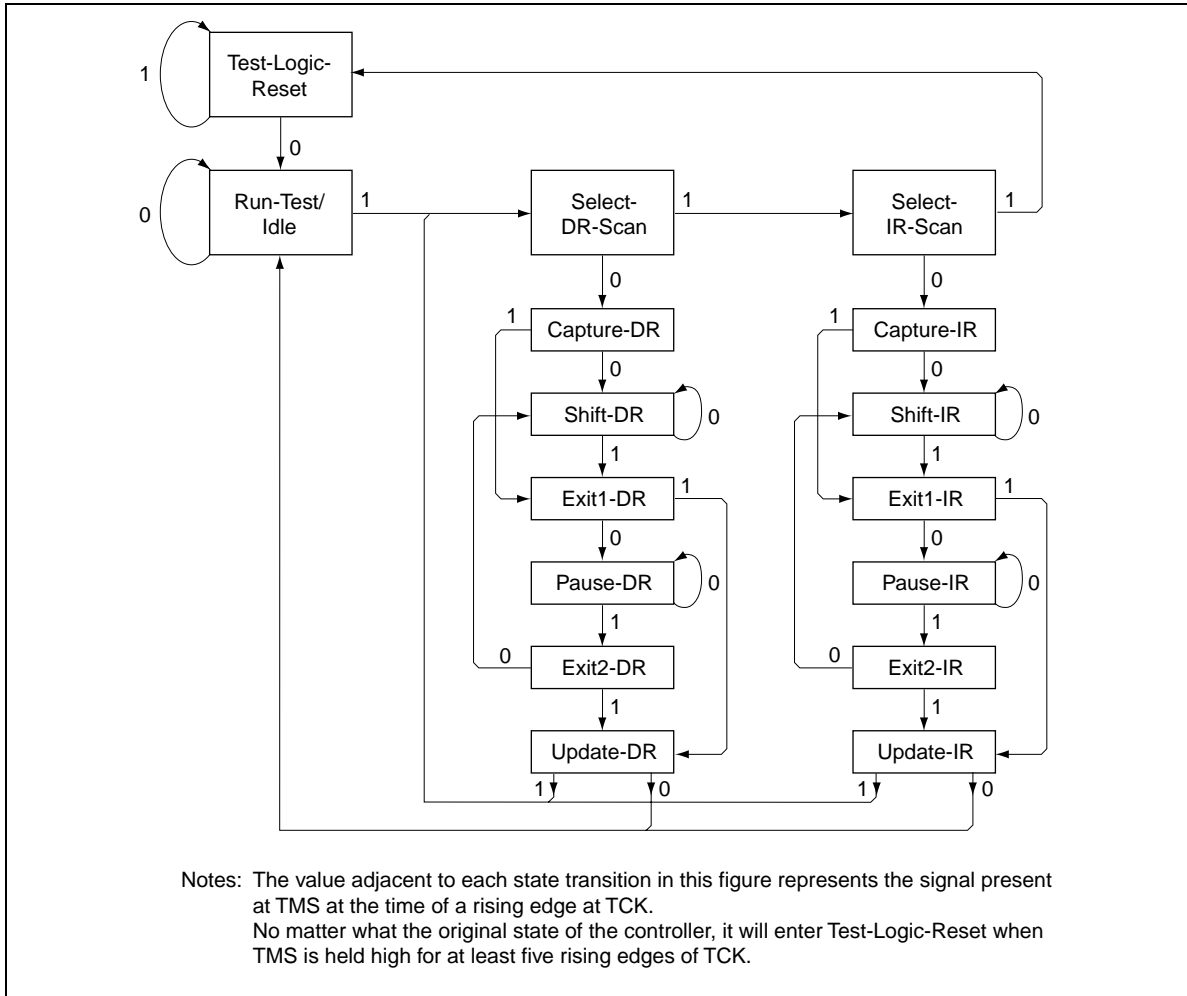
Bit #	Ball ID	Signal names			Bit #	Ball ID	Signal names		
		x9	x18	x36			x9	x18	x36
1	6R	\overline{C}	\overline{C}	\overline{C}	36	10E	D3	D6	D6
2	6P	C	C	C	37	10D	NC	NC	D15
3	6N	SA	SA	SA	38	9E	NC	NC	Q15
4	7P	SA	SA	SA	39	10C	NC	Q7	Q7
5	7N	SA	SA	SA	40	11D	NC	D7	D7
6	7R	SA	SA	SA	41	9C	NC	NC	D16
7	8R	SA	SA	SA	42	9D	NC	NC	Q16
8	8P	SA	SA	SA	43	11B	Q4	Q8	Q8
9	9R	SA	SA	SA	44	11C	D4	D8	D8
10	11P	Q0	Q0	Q0	45	9B	NC	NC	D17
11	10P	D0	D0	D0	46	10B	NC	NC	Q17
12	10N	NC	NC	D9	47	11A	CQ	CQ	CQ
13	9P	NC	NC	Q9	48	10A	SA	NC	NC
14	10M	NC	Q1	Q1	49	9A	SA	SA	SA
15	11N	NC	D1	D1	50	8B	SA	SA	SA
16	9M	NC	NC	D10	51	7C	SA	SA	SA
17	9N	NC	NC	Q10	52	6C	NC	NC	NC
18	11L	Q1	Q2	Q2	53	8A	\overline{R}	\overline{R}	\overline{R}
19	11M	D1	D2	D2	54	7A	NC	NC	$\overline{BW1}$
20	9L	NC	NC	D11	55	7B	\overline{BW}	$\overline{BW0}$	$\overline{BW0}$
21	10L	NC	NC	Q11	56	6B	K	K	K
22	11K	NC	Q3	Q3	57	6A	\overline{K}	\overline{K}	\overline{K}
23	10K	NC	D3	D3	58	5B	NC	NC	$\overline{BW3}$
24	9J	NC	NC	D12	59	5A	NC	$\overline{BW1}$	$\overline{BW2}$
25	9K	NC	NC	Q12	60	4A	\overline{W}	\overline{W}	\overline{W}
26	10J	Q2	Q4	Q4	61	5C	SA	SA	SA
27	11J	D2	D4	D4	62	4B	SA	SA	SA
28	11H	ZQ	ZQ	ZQ	63	3A	SA	SA	NC
29	10G	NC	NC	D13	64	2A	V_{ss}	V_{ss}	V_{ss}
30	9G	NC	NC	Q13	65	1A	\overline{CQ}	\overline{CQ}	\overline{CQ}
31	11F	NC	Q5	Q5	66	2B	NC	Q9	Q18
32	11G	NC	D5	D5	67	3B	NC	D9	D18
33	9F	NC	NC	D14	68	1C	NC	NC	D27
34	10F	NC	NC	Q14	69	1B	NC	NC	Q27
35	11E	Q3	Q6	Q6	70	3D	NC	Q10	Q19

Bit #	Ball ID	Signal names			Bit #	Ball ID	Signal names		
		x9	x18	x36			x9	x18	x36
71	3C	NC	D10	D19	91	2L	Q7	Q15	Q24
72	1D	NC	NC	D28	92	3L	D7	D15	D24
73	2C	NC	NC	Q28	93	1M	NC	NC	D33
74	3E	Q5	Q11	Q20	94	1L	NC	NC	Q33
75	2D	D5	D11	D20	95	3N	NC	Q16	Q25
76	2E	NC	NC	D29	96	3M	NC	D16	D25
77	1E	NC	NC	Q29	97	1N	NC	NC	D34
78	2F	NC	Q12	Q21	98	2M	NC	NC	Q34
79	3F	NC	D12	D21	99	3P	Q8	Q17	Q26
80	1G	NC	NC	D30	100	2N	D8	D17	D26
81	1F	NC	NC	Q30	101	2P	NC	NC	D35
82	3G	Q6	Q13	Q22	102	1P	NC	NC	Q35
83	2G	D6	D13	D22	103	3R	SA	SA	SA
84	1H	$\overline{\text{DOFF}}$	$\overline{\text{DOFF}}$	$\overline{\text{DOFF}}$	104	4R	SA	SA	SA
85	1J	NC	NC	D31	105	4P	SA	SA	SA
86	2J	NC	NC	Q31	106	5P	SA	SA	SA
87	3K	NC	Q14	Q23	107	5N	SA	SA	SA
88	3J	NC	D14	D23	108	5R	SA	SA	SA
89	2K	NC	NC	D32	109	—	INTER-	INTER-	INTER-
90	1K	NC	NC	Q32			NAL	NAL	NAL

Note: In boundary scan mode,

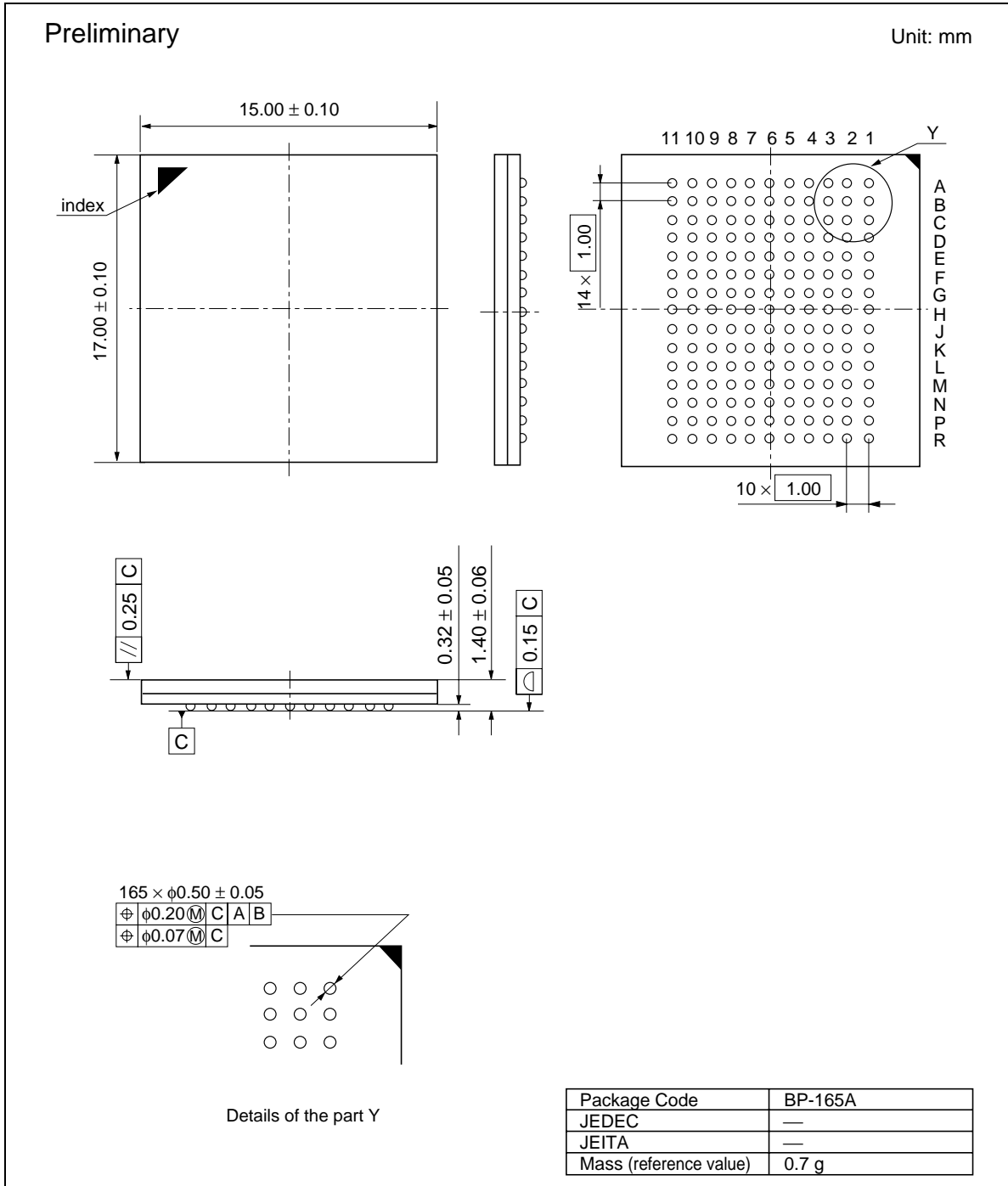
1. Clock balls (K / \overline{K} , C / \overline{C}) are referenced to each other and must be at opposite logic levels for reliable operation.
2. CQ and \overline{CQ} data are synchronized to the respective C and \overline{C} (except EXTEST, SAMPLE-Z).
3. If C and \overline{C} tied high, CQ is generated with respect to K and \overline{CQ} is generated with respect to \overline{K} (except EXTEST, SAMPLE-Z).
4. ZQ must be driven to V_{DDQ} supply to ensure consistent results.

TAP Controller State Diagram



Package Dimensions

HM66AQB36104/18204/9404BP (BP-165A)



Revision History

HM66AQB36104/HM66AQB18204 HM66AQB9404 Data Sheet

Rev.	Date	Contents of Modification	
		Page	Description
0.0	Apr. 26, 2002	—	Initial issue
0.1	Nov. 12, 2002	2	Features
		—	Change of descriptions of V_{DD} and V_{DDQ}
		—	Package: TBD to BP-165A
		—	Descriptions of contact tips (except some particular ones): pin(s) to ball(s), bump(s) to ball(s)
		6-7	Pin Descriptions Change of the order of names
		10	Truth Table CLK to K \bar{R} (Write cycle): Addition of Notes7 \bar{W} (Write cycle): Addition of Notes8 R (Read cycle): Addition of Notes8
		14	Absolute Maximum Ratings Core supply voltage: Addition of Notes4
		14	Recommended DC Operating Conditions Change of Symbols: V_{IH} to $V_{IH(DC)}$, V_{IL} to $V_{IL(DC)}$
		15-16	DC Characteristics (1st table) Change of Notes1 and 2
		15-16	DC Characteristics (2nd table) Addition of Notes9 and 10
		16	Capacitance V_{DD} (condition): 1.8 V \pm 0.1 V to 1.8 V Change of Notes1
		16-19	AC Characteristics Change of the figure of Output load condition Addition of Operating Conditions t_{KHKH} (Max): 3.6/4.0/5.0/6.0/7.5 ns to 3.47/4.2/5.25/6.3/7.88 ns t_{CHQV} (Max): 0.27/0.29/0.35/0.38/0.40 ns to 0.50/0.50/0.50/0.50/0.50 ns t_{CHQX} (Min): -0.27/-0.29/-0.35/-0.38/-0.40 ns to -0.50/-0.50/-0.50/-0.50/-0.50 ns t_{CHQV} (Max): 0.25/0.27/0.33/0.36/0.38 ns to 0.50/0.50/0.50/0.50/0.50 ns t_{CHQX} (Min): -0.25/-0.27/-0.33/-0.36/-0.38 ns to -0.50/-0.50/-0.50/-0.50/-0.50 ns t_{CQHCV} (Max): 0.27/0.29/0.35/0.38/0.40 ns to 0.25/0.27/0.30/0.35/0.40 ns

Rev.	Date	Contents of Modification	
		Page	Description
0.1	Nov. 12, 2002		t_{CQHGX} (Min): -0.27/-0.29/-0.35/-0.38/-0.40 ns to -0.25/-0.27/-0.30/-0.35/-0.40 ns t_{CHQZ} (Max): 0.27/0.29/0.35/0.38/0.40 ns to 0.50/0.50/0.50/0.50/0.50 ns t_{CHQX1} (Min): -0.27/-0.29/-0.35/-0.38/-0.40 ns to -0.50/-0.50/-0.50/-0.50/-0.50 ns t_{DVKH} (Min): 0.3/0.33/0.4/0.5/0.6 ns to 0.28/0.30/0.35/0.4/0.5 ns t_{KHDX} (Min): 0.3/0.33/0.4/0.5/0.6 ns to 0.28/0.30/0.35/0.4/0.5 ns Change of the order Notes and Remarks Addition of Notes5 and 6 22 TAP DC Operating Characteristics Addition of Notes3 24 Test Access Port Registers Boundary scan register Length: 108 bits to 109 bits Symbol: BS [108:1] to BS [109:1] 25-26 TAP Controller Instruction Set Addition of Notes1, 2 EXTEST: Change of Description SAMPLE-Z: Change of Description SAMPLE to SAMPLE(-PRELOAD) SAMPLE(-PRELOAD): Change of Description 27-28 Boundary Scan Order Bit # 48 ×18: V_{SS} to NC ×36: V_{SS} to NC Addition of Bit # 109 Addition of Note
0.2	Jan. 14, 2003	6-7	Pin Descriptions SAn: Change of Descriptions NWn, BW and BWn: Change of Descriptions 15-16 DC Characteristics (2nd table) Change of Notes9 16-19 AC Characteristics t_{CHQV} (Max): 0.50/0.50/0.50/0.50/0.50 ns to 0.45/0.45/0.45/0.45/0.50 ns t_{CHGX} (Min): -0.50/-0.50/-0.50/-0.50/-0.50 ns to -0.45/-0.45/-0.45/-0.45/-0.50 ns t_{CHQV} (Max): 0.50/0.50/0.50/0.50/0.50 ns to 0.45/0.45/0.45/0.45/0.50 ns

Rev.	Date	Contents of Modification	
		Page	Description
0.2	Jan. 14, 2003		t_{CHCQX} (Min): -0.50/-0.50/-0.50/-0.50/-0.50 ns to -0.45/-0.45/-0.45/-0.45/-0.50 ns t_{CHQZ} (Max): 0.50/0.50/0.50/0.50/0.50 ns to 0.45/0.45/0.45/0.45/0.50 ns t_{CHQX1} (Min): -0.50/-0.50/-0.50/-0.50/-0.50 ns to -0.45/-0.45/-0.45/-0.45/-0.50 ns
		21	Disabling the Test Access Port 1k resistor to 1k Ω resistor
		22	TAP DC Operating Characteristics Change of Notes2
		27-28	Boundary Scan Order Deletion of Note1
		30	Package Dimensions Change of the figure of BP-165A
0.03	Mar.31.2004	—	Change format issued by Renesas Technology Corp.
		—	Deletion of HM66AQB8404
		—	HM66AQB9404: Change of pin names
			D0 to D1
			D1 to D2
			D2 to D3
			D3 to D4
			D4 to D5
			D5 to D6
			D6 to D7
			D7 to D8
			D8 to D0
			Q0 to Q1
			Q1 to Q2
			Q2 to Q3
			Q3 to Q4
			Q4 to Q5
			Q5 to Q6
			Q6 to Q7
			Q7 to Q8
			Q8 to Q0
		1	Change of Note
		4	Addition of Notes on Usage
		5-6	Pin Descriptions
			SAn to SA
			SA: Change of Descriptions
			NWn/BW/BWn to BW/BWn
			BW/BWn: Change of Descriptions
			K, \bar{K} : Change of Descriptions
			C, \bar{C} : Change of Descriptions
			ZQ: Change of Descriptions
			D0 to Dn: Change of Descriptions
			Q0 to Qn: Change of Descriptions

Rev.	Date	Contents of Modification	
		Page	Description
0.03	Mar.31.2004		V_{REF} : Change of Descriptions NC: Change of Descriptions
		7-8	Block Diagram Change of the figures
		9	Truth Table $D_A(A+0)$ to $D(A+0)$ $D_A(A+1)$ to $D(A+1)$ $D_A(A+2)$ to $D(A+2)$ $D_A(A+3)$ to $D(A+3)$ $Q_A(A+0)$ to $Q(A+0)$ $Q_A(A+1)$ to $Q(A+1)$ $Q_A(A+2)$ to $Q(A+2)$ $Q_A(A+3)$ to $Q(A+3)$ Change of Notes6
		10-11	Byte Write Truth Table 0 to L 1 to H
		11	Bus Cycle State Diagram Change of Notes3
		12	Absolute Maximum Ratings V_{IN} , V_{IO} , V_{DD} , V_{DDQ} (Notes4) Maximum value: 2.9 V to 2.5 V
		12	Recommended DC Operating Conditions Deletion of Notes2 Notes3 to Notes2 Change of Notes2 Addition of Notes3
		13	DC Characteristics (1st table) I_{DD} (Max): ×9, ×18: 525/475/400/330/280 mA to 900/840/740/620/550 mA ×36: 710/640/545/445/380 mA to 960/900/800/670/590 mA I_{SB1} (Max): ×9, ×18: 255/235/200/170/145 mA to 350/330/300/280/260 mA ×36: 265/245/210/180/155 mA to 350/330/300/280/260 mA I_{DD} , I_{SB1} : Addition of Notes Deletion of Notes3 Notes4 to Notes3 Addition of Notes4 Notes1-5 are moved to DC Characteristics (2nd table)
		13	DC Characteristics (2nd table) Deletion of I_{OH} , I_{OL} Deletion of Notes5-7, 10

Rev.	Date	Contents of Modification	
		Page	Description
0.03	Mar.31.2004		Notes1-4 to Notes6-9 Notes8-9 to Notes10-11
		14	Capacitance Change of condition $C_{I/O}$: Change of Parameter Change of Notes2
		15	$V_{IH(AC)}$, $V_{IL(AC)}$: Addition of Notes4 Addition of Notes2 Notes2-3 to Notes3-4 Change of Notes3
		16	t_{KC} reset, t_{CQHQV} , t_{CQHGX} : Addition of Notes7 t_{CHQZ} , t_{CHQX1} : Change of Parameter
		17	Remarks1 to Notes7 Change of Notes7 Remarks2-5 to Remarks1-4 Addition of Remarks5
		18	Timing Waveforms Addition of Notes4
		20	TAP DC Operating Characteristics Addition of Notes4
		22	TAP Controller Timing Diagram Change of the figure
		23-24	TAP Controller Instruction Set SAMPLE(-PRELOAD) to SAMPLE(/PRELOAD) EXTEST, SAMPLE-Z, RESERVED, SAMPLE(/PRELOAD): Change of Description Addition of Notes3-4
		24	ID Register Vendor JEDEC code: 00000000111 to 01000100011
		25-26	Boundary Scan Order Change of Note
		28	Package Dimensions Change of the figure of BP-165A

Renesas Technology Corp. Sales Strategic Planning Div. Nippon Bldg., 2-6-2, Ohte-machi, Chiyoda-ku, Tokyo 100-0004, Japan

Keep safety first in your circuit designs!

1. Renesas Technology Corp. puts the maximum effort into making semiconductor products better and more reliable, but there is always the possibility that trouble may occur with them. Trouble with semiconductors may lead to personal injury, fire or property damage.
Remember to give due consideration to safety when making your circuit designs, with appropriate measures such as (i) placement of substitutive, auxiliary circuits, (ii) use of nonflammable material or (iii) prevention against any malfunction or mishap.

Notes regarding these materials

1. These materials are intended as a reference to assist our customers in the selection of the Renesas Technology Corp. product best suited to the customer's application; they do not convey any license under any intellectual property rights, or any other rights, belonging to Renesas Technology Corp. or a third party.
 2. Renesas Technology Corp. assumes no responsibility for any damage, or infringement of any third-party's rights, originating in the use of any product data, diagrams, charts, programs, algorithms, or circuit application examples contained in these materials.
 3. All information contained in these materials, including product data, diagrams, charts, programs and algorithms represents information on products at the time of publication of these materials, and are subject to change by Renesas Technology Corp. without notice due to product improvements or other reasons. It is therefore recommended that customers contact Renesas Technology Corp. or an authorized Renesas Technology Corp. product distributor for the latest product information before purchasing a product listed herein.
The information described here may contain technical inaccuracies or typographical errors.
Renesas Technology Corp. assumes no responsibility for any damage, liability, or other loss rising from these inaccuracies or errors.
Please also pay attention to information published by Renesas Technology Corp. by various means, including the Renesas Technology Corp. Semiconductor home page (<http://www.renesas.com>).
 4. When using any or all of the information contained in these materials, including product data, diagrams, charts, programs, and algorithms, please be sure to evaluate all information as a total system before making a final decision on the applicability of the information and products. Renesas Technology Corp. assumes no responsibility for any damage, liability or other loss resulting from the information contained herein.
 5. Renesas Technology Corp. semiconductors are not designed or manufactured for use in a device or system that is used under circumstances in which human life is potentially at stake. Please contact Renesas Technology Corp. or an authorized Renesas Technology Corp. product distributor when considering the use of a product contained herein for any specific purposes, such as apparatus or systems for transportation, vehicular, medical, aerospace, nuclear, or undersea repeater use.
 6. The prior written approval of Renesas Technology Corp. is necessary to reprint or reproduce in whole or in part these materials.
 7. If these products or technologies are subject to the Japanese export control restrictions, they must be exported under a license from the Japanese government and cannot be imported into a country other than the approved destination.
Any diversion or reexport contrary to the export control laws and regulations of Japan and/or the country of destination is prohibited.
 8. Please contact Renesas Technology Corp. for further details on these materials or the products contained therein.
-



RENESAS SALES OFFICES

<http://www.renesas.com>

Renesas Technology America, Inc.

450 Holger Way, San Jose, CA 95134-1368, U.S.A
Tel: <1> (408) 382-7500 Fax: <1> (408) 382-7501

Renesas Technology Europe Limited.

Dukes Meadow, Millboard Road, Bourne End, Buckinghamshire, SL8 5FH, United Kingdom
Tel: <44> (1628) 585 100, Fax: <44> (1628) 585 900

Renesas Technology Europe GmbH

Dornacher Str. 3, D-85622 Feldkirchen, Germany
Tel: <49> (89) 380 70 0, Fax: <49> (89) 929 30 11

Renesas Technology Hong Kong Ltd.

7/F., North Tower, World Finance Centre, Harbour City, Canton Road, Hong Kong
Tel: <852> 2265-6688, Fax: <852> 2375-6836

Renesas Technology Taiwan Co., Ltd.

FL 10, #99, Fu-Hsing N. Rd., Taipei, Taiwan
Tel: <886> (2) 2715-2888, Fax: <886> (2) 2713-2999

Renesas Technology (Shanghai) Co., Ltd.

26/F., Ruijin Building, No.205 Maoming Road (S), Shanghai 200020, China
Tel: <86> (21) 6472-1001, Fax: <86> (21) 6415-2952

Renesas Technology Singapore Pte. Ltd.

1, Harbour Front Avenue, #06-10, Keppel Bay Tower, Singapore 098632
Tel: <65> 6213-0200, Fax: <65> 6278-8001