

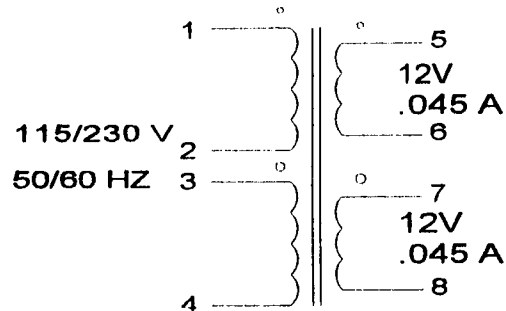
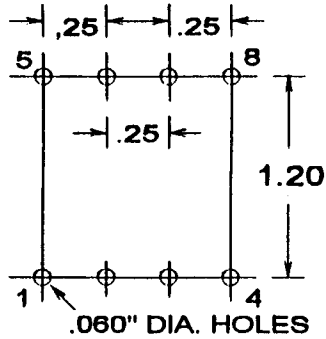
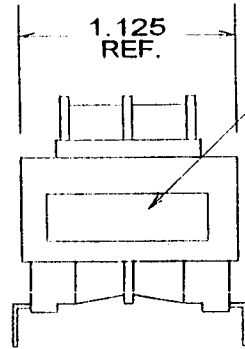
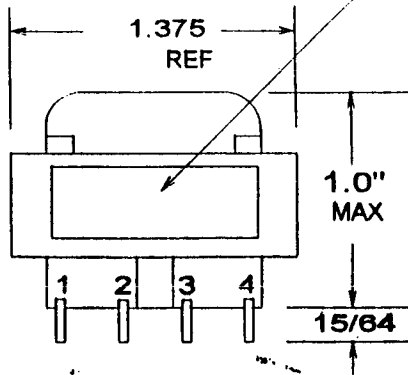
TOLERANCE UNLESS SPECIFIED = .XXX = +/- .005 .XX = +/- .015 FRACTIONS = +/- .032

FS24-045.DC2

YYWW = YEAR, WEEK  
XXX = SITECODE

**M** MagneTek - Triad  
FS24-045  
CLASS B **RU** US

EIA-17-YYWW  
XXX B10



## PRODUCTION TESTS

DC  
TURNS RATIO = 100%

DC	1-2 = 1650 TO 1900
RESISTANCE	3-4 = 2160 TO 2500
IN OHMS	5-6 = 31.5 TO 38.5
	7-8 = 41 TO 49

MAX EXCITATION CURRENT = 0.005 A  
APPLY = 230V 60 HZ, 1-4, TIE 2+3

OPEN CIRCUIT VOLTAGE TEST:

230V 60 HZ, 1-4, TIE 2+3

1-2 = 3-4 = 115V

EACH SEC = 15.1 TO 15.9 V

POLRITY: 1 - 8 = 257.9 TO 264.1 V

HIPOT: 2500 V PRI'S TO SEC'S

1500 V PRI'S, SEC'S TO CORE

500V P-P, S-S

CONTINUITY: 100%

IMPREGNATION NOTES = 2 HOUR PREHEAT  
PINS MUST BE FREE OF IMPREG.

FINAL ASSEMBLY NOTES

**M** MagneTek

FS24-045