

**TECHNICAL DESCRIPTION**

**FEATURES**

- 0.5 - 1.0 GHz
- LOW LOSS
- HIGH DIRECTIVITY
- EXCELLENT COUPLING ACCURACY
- SURFACE MOUNT



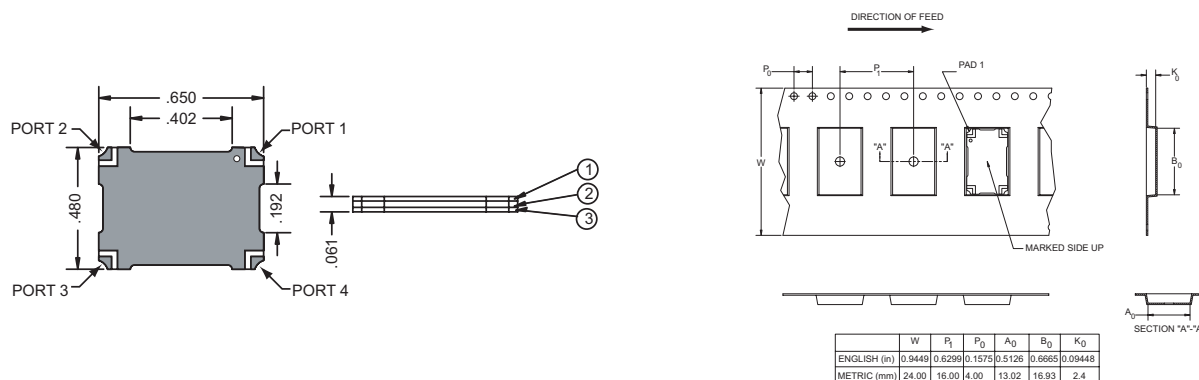
The Multi-Mix<sup>®</sup> CSD-20N-0.75G provides a 20 dB coupling with low insertion loss, low VSWR, and high directivity. Accurate coupling factors make this series ideal for use in power amplifiers and RF signal distribution and processing equipment.

CSD-20 directional couplers are fusion bonded multilayer stripline devices. The fusion bonding process yields a homogeneous monolithic dielectric structure with reliability, ruggedness, and electrical performance that is superior to conventional adhesive bonding techniques.

**GENERAL SPECIFICATIONS**

FREQUENCY RANGE MHz	INSERTION LOSS (dB MAX)	MEAN COUPLING	VSWR (MAX, ALL PORTS)
500 - 1000	0.2	20 ± 1.0	1.22:1
FREQUENCY SENSITIVITY (dB MAX)	DIRECTIVITY (dB MIN)	POWER (AVG. CW WATTS)	OPERATING TEMPERATURE
± 1.0	16	100	-55° - +85° C

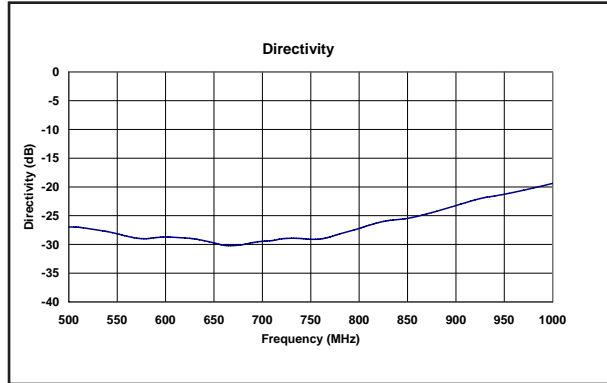
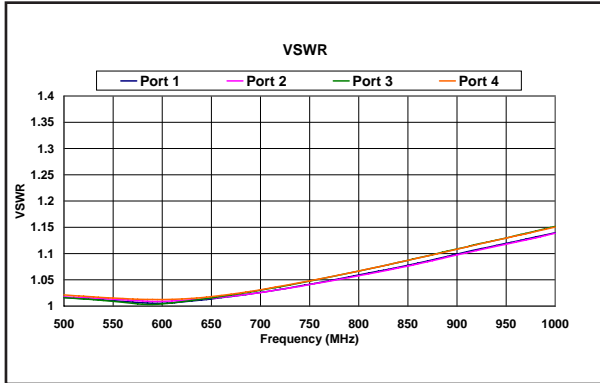
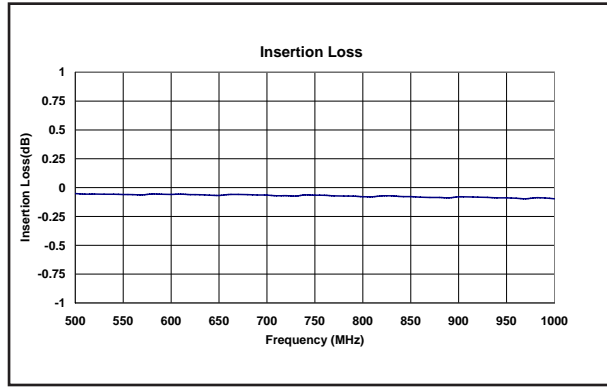
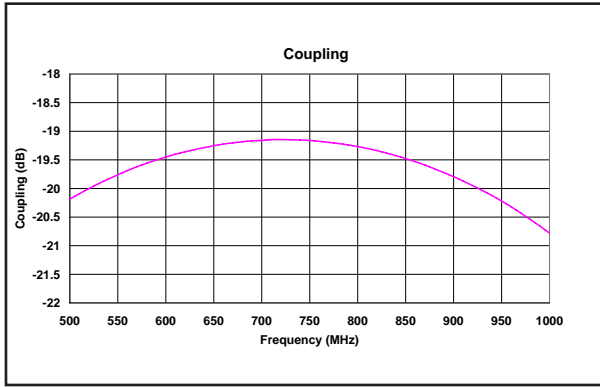
**PACKAGE OUTLINE / TAPE AND REEL ORIENTATION**



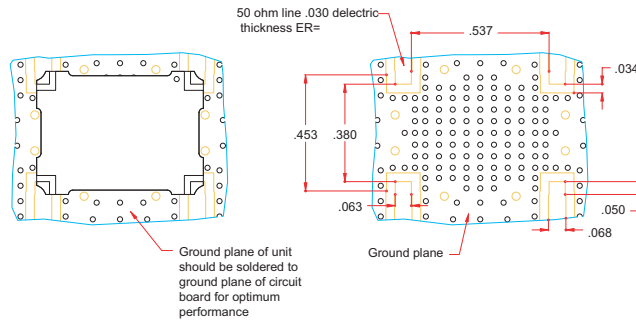
**THE MULTI-MIX MICROTECHNOLOGY<sup>®</sup> GROUP IS ISO 9001:2000 REGISTERED**

U.S. Patent 6,099,677 and other Patents Pending.

## TYPICAL PERFORMANCE



## MOUNTING CONFIGURATION



## TRUTH TABLE

	1	2	3	4
1	Input	Output	Isolated	Coupled
2	Output	Input	Coupled	Isolated
3	Isolated	Coupled	Input	Output
4	Coupled	Isolated	Output	Input