



**0.4mm**  
(.016") pitch

# JAS CONNECTOR

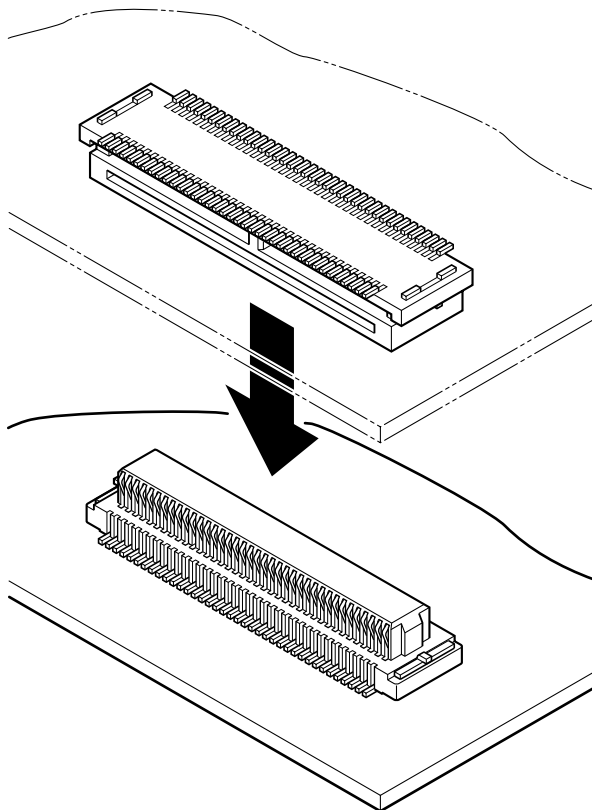
Board-to-board connectors

Emboss Tape



## Features

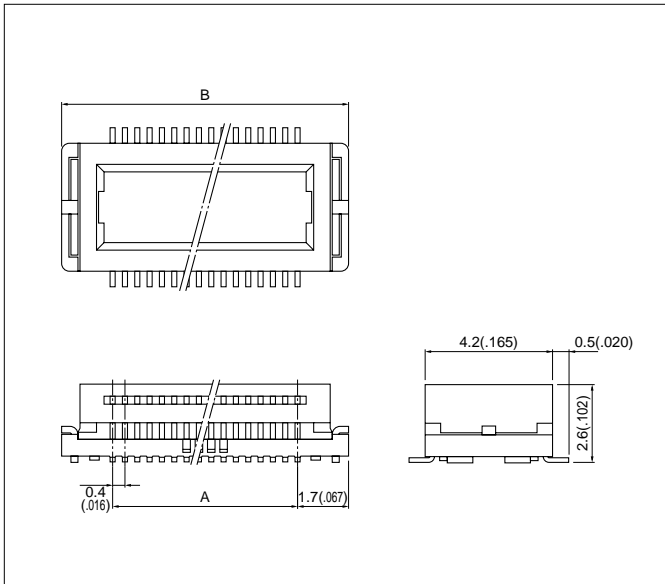
- *The plug housing is constructed of two separate parts. This allows the connector to be put under greater torsion strain than similar connectors without any damage being done to the solder joints.*
- *Both plug and receptacle have the double I type solder tabs, which reduces the stress by the distorted mating/unmating applied to the solder tails.*



## Specifications

- Current rating: 0.3A AC,DC
  - Voltage rating: 30V AC,DC
  - Temperature range: -25°C to +85°C  
(including temperature rise in applying electrical current)
  - Contact resistance: Initial value/70m max.  
After environmental testing/140m max.
  - Insulation resistance: 50M min.
  - Withstanding voltage: 100V AC/minute
- \*Contact JST for details.

## Plug



Circuits	Model No.	Dimensions mm(in.)		Q'ty / reel
		A	B	
80	<b>80P-JASKS-GD-TF</b>	15.6(.614)	19.0(.748)	2,500
100	<b>100P-JASKS-GD-TF</b>	19.6(.772)	23.0(.906)	2,500

### Material and Finish

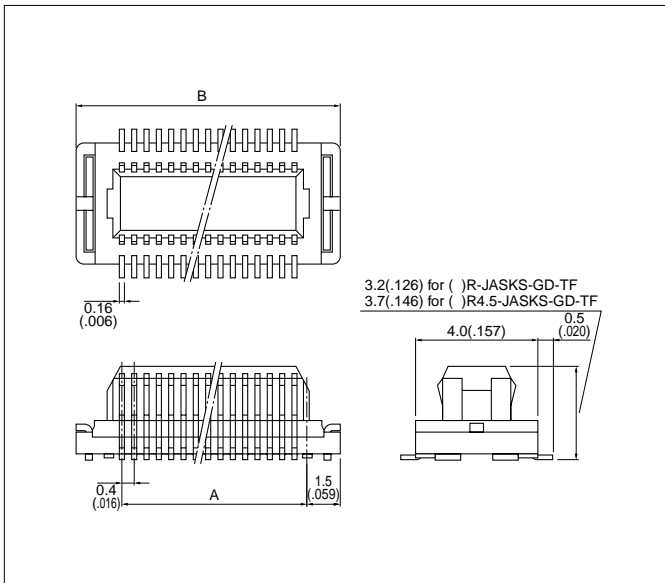
Contact: Phosphor bronze, nickel-undercoated, selective gold-plated

Housing: PPS, UL94V-0

Solder tab: Brass, copper-undercoated, tin/lead-plated

Note: The products listed above are supplied on embossed-tape.

## Receptacle



Circuits	Model No.		Dimensions mm(in.)		Q'ty / reel
	Stacking height		A	B	
	4.0mm(.157)	4.5mm(.177)			
80	<b>80R-JASKS-GD-TF</b>	—	15.6(.614)	18.6(.732)	2,500
100	—	<b>100R4.5-JASKS-GD-TF</b>	19.6(.772)	22.6(.890)	2,500

### Material and Finish

Contact: Phosphor bronze, nickel-undercoated, selective gold-plated

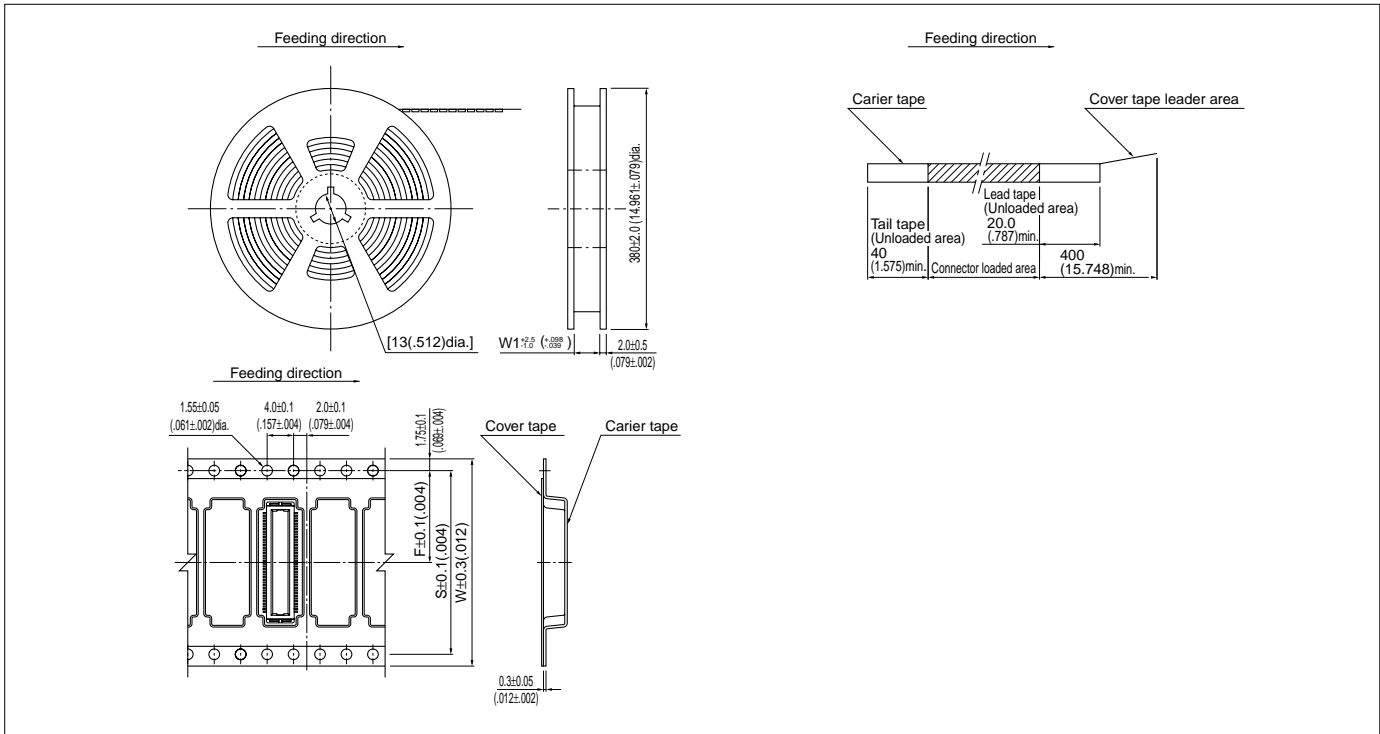
Housing: LCP, UL94V-0

Solder tab: Brass, copper-undercoated, tin/lead-plated

Note: The products listed above are supplied on embossed-tape.

# JAS CONNECTOR

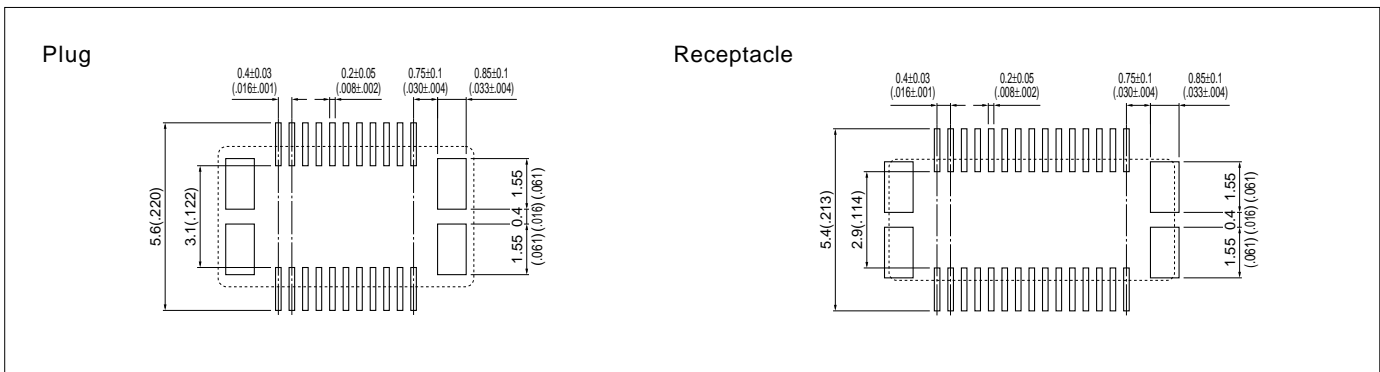
## Taping Specifications



Circuits	Dimensions mm(in.)				Q'ty / reel
	F	S	W	W1	
80	14.2(.559)	28.4(1.118)	32.0(1.260)	33.5(1.319)	2,500
100	20.2(.795)	40.4(1.591)	44.0(1.732)	45.5(1.791)	2,500

Note: 1. Specifications conform to JIS C0806. The tape width, connector loading recess square hole dimensions, etc. are determined by the number of circuits and external shape of the connector to be loaded.  
2. Specifications are subject to change without prior notice.

## PC board layout



## Assembly layout

