

**PLEASE CHECK WWW.MOLEX.COM FOR LATEST PART INFORMATION**

**Part Number:** [5022505191](#)  
**Status:** **Active**  
**Description:** 0.30mm (.012") Pitch Easy-On™ BackFlip™ FPC Connector, Right Angle, SMT, Dual Contact Style, 0.90mm (.012") Mated Height, 51 Circuits

**Documents:**

[3D Model](#) [Product Specification PS-502250-001 \(PDF\)](#)  
[Drawing \(PDF\)](#) [RoHS Certificate of Compliance \(PDF\)](#)

**General**

Product Family FFC/FPC Connectors  
 Series [502250](#)  
 Product Name BackFlip™, Easy-On™

**Physical**

Circuits (Loaded) 51  
 Color - Resin Black, Natural  
 Contact Position Dual  
 Durability (mating cycles max) 10  
 Entry Angle 90° Angle  
 Mated Height (in) 0.035 In  
 Mated Height (mm) 0.90 mm  
 Material - Metal Copper-Nickel-Tin  
 Material - Plating Mating Gold  
 Material - Plating Termination Gold  
 Number of Rows 1  
 Orientation Right Angle  
 PCB Locator No  
 PCB Retention Yes  
 Packaging Type Embossed Tape on Reel  
 Pitch - Mating Interface (in) 0.012 In  
 Pitch - Mating Interface (mm) 0.30 mm  
 Polarized to PCB Yes  
 Stackable No  
 Temperature Range - Operating -25°C to +85°C  
 Termination Interface: Style Surface Mount  
 Wire/Cable Type FPC only

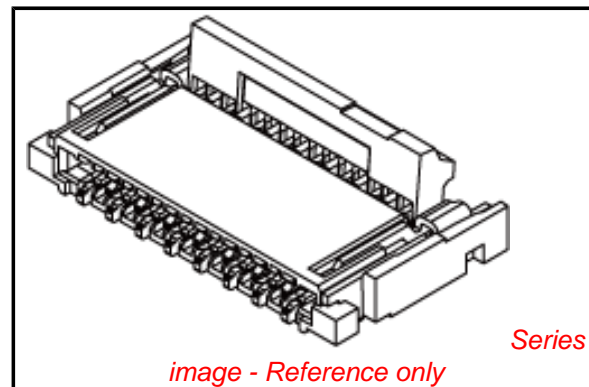
**Electrical**

Current - Maximum per Contact 0.2A  
 Voltage - Maximum 50V AC (RMS)/DC

**Material Info**

**Reference - Drawing Numbers**

Product Specification PS-502250-001, RPS-502250-001, RPS-502250-007  
 Sales Drawing SD-502250-003, SD-502250-004



*image - Reference only*

**EU RoHS**

**ELV and RoHS  
 Compliant**  
**REACH SVHC**  
 Not Reviewed  
**Halogen-Free  
 Status**  
**Not Reviewed**

**China RoHS**



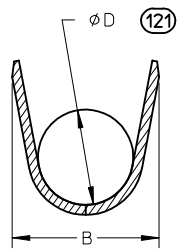
**Need more information on product  
 environmental compliance?**

Email [productcompliance@molex.com](mailto:productcompliance@molex.com)  
 For a multiple part number RoHS Certificate of  
 Compliance, [click here](#)

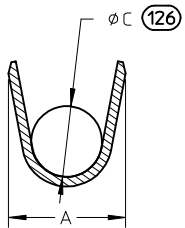
Please visit the [Contact Us](#) section for any  
 non-product compliance questions.

**Search Parts in this Series**  
[502250Series](#)

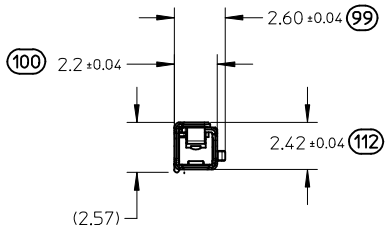
PART NUMBERS		GRIP CODE	WIRE GAUGE			PLATING	DIM A ±0.2	DIM B ±0.3	DIM ØC ±0.1	DIM ØD ±0.1
D-WIND (LEFT PAYOFF)	B-WIND (RIGHT PAYOFF)		ISO mm <sup>2</sup>	JASO mm <sup>2</sup>	SAE gauge					
502307-0111	502307-0211	S	0.35-0.50	0.30-0.50	22	TIN (Sn)	2	2.6	1	1.54
502307-0112	502307-0212	M	0.75-1.00	0.85-1.25	20/18		2.6	3.2	1.5	1.98
502307-0113	502307-0213	L	1.50-2.00	1.25-2.00	16/14		3.1	3.9	1.8	2.44



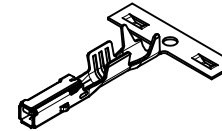
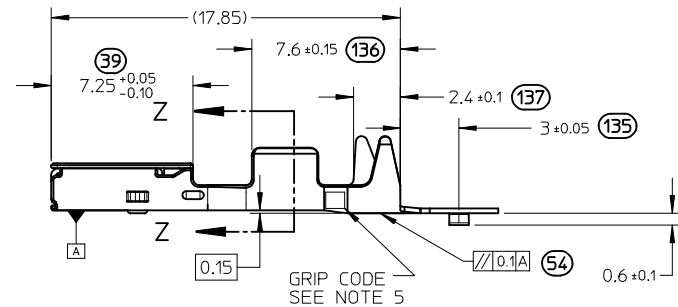
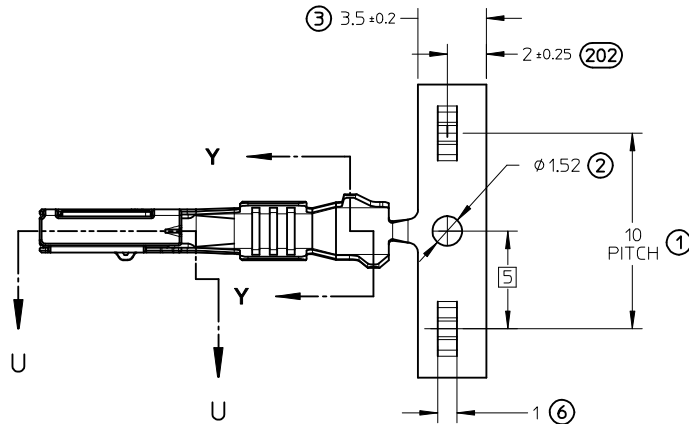
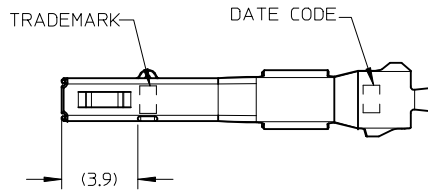
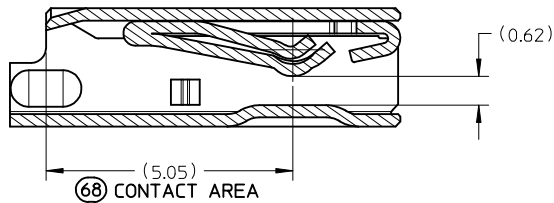
SECTION Y-Y  
SCALE 8:1  
INSULATION GRIP



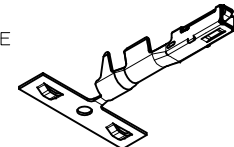
SECTION Z-Z  
Scale 8:1



SECTION U-U  
SCALE 10:1

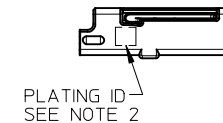


ISO VIEWS  
NOT TO SCALE



NOTES: (UNLESS OTHERWISE SPECIFIED)

1. MATERIAL: COPPER ALLOY (Sn PREPLATED)
2. PLATING MARK: TIN (Sn) - NO MARK
3. PACKAGING PER PK-31301-053
4. CRIMPING PER CS-502307-001
5. PROBING DOWN THROAT OF TERMINAL NOT ALLOWED



<b>ENTER DESCRIPTION</b> EC NO: UAU2010-0062 DRAWN: K.FERGUSON CHKD: D.NICHOLAS APPR: B.MOSER 2009/09/09 <b>B</b>	<b>QUALITY SYMBOLS</b> ▽=0 ▽=0	<b>GENERAL TOLERANCES (UNLESS SPECIFIED)</b>		<b>DIMENSION STYLE</b> <b>MM ONLY</b>		<b>SCALE</b> 1:1	<b>DESIGN UNITS</b> METRIC	THIRD ANGLE PROJECTION		
		mm	INCH	DRAWN BY K.FERGUSON	DATE 10/25/2008	<b>CTX150 FEMALE TERMINAL</b>				
		4 PLACES ± ---	± ---	CHECKED BY D.NICHOLAS	DATE 10/25/2008					
		3 PLACES ± 0.08	± ---	APPROVED BY B.MOSER	DATE 10/22/2008	<b>MOLEX INCORPORATED</b>		MATERIAL NO. <b>SEE TABLE</b>	DOCUMENT NO. <b>SD-502307-001</b>	SHEET NO. 1 OF 1
2 PLACES ± 0.08	± ---	ANGULAR ± 1°		THIS DRAWING CONTAINS INFORMATION THAT IS PROPRIETARY TO MOLEX INCORPORATED AND SHOULD NOT BE USED WITHOUT WRITTEN PERMISSION						
1 PLACE ± 0.08	± ---									