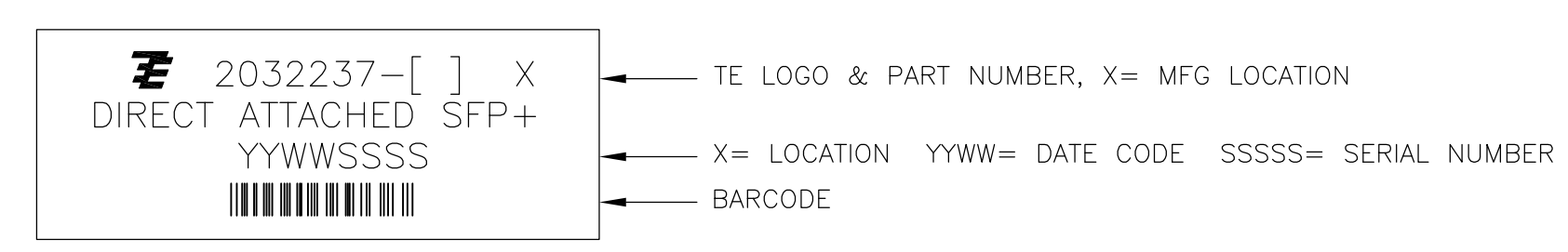


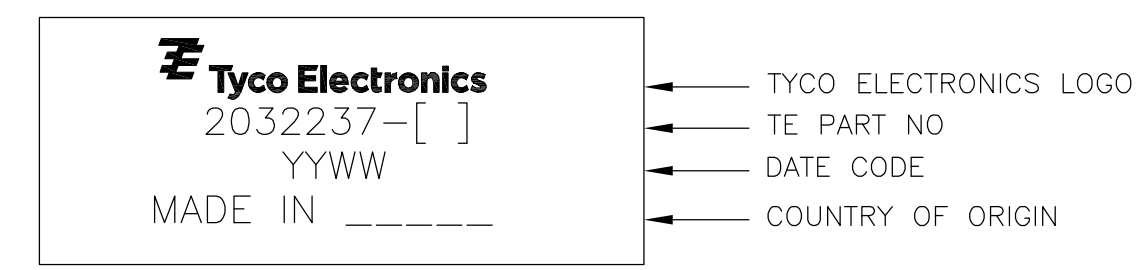
20	+0.12 -0	METERS	2-2032237-1
19	+0.12 -0	METERS	2-2032237-0
18	+0.12 -0	METERS	1-2032237-9
17	+0.12 -0	METERS	1-2032237-8
16	+0.12 -0	METERS	1-2032237-7
15	+0.12 -0	METERS	1-2032237-6
14	+0.12 -0	METERS	1-2032237-5
13	+0.12 -0	METERS	1-2032237-4
12	+0.12 -0	METERS	1-2032237-3
11	+0.12 -0	METERS	1-2032237-2
10	+0.12 -0	METERS	1-2032237-1
9	+0.1 -0	METERS	1-2032237-0
8	+0.1 -0	METERS	2032237-9
7	+0.1 -0	METERS	2032237-8
6	+0.1 -0	METERS	2032237-7
5	+0.1 -0	METERS	2032237-6
4	+0.08 -0	METERS	2032237-5
3	+0.08 -0	METERS	2032237-4
2	+0.08 -0	METERS	2032237-3
1	+0.05 -0	METERS	2032237-2
0.5	+0.05 -0	METERS	2032237-1
L		PART NO	

1. CHARACTERISTIC IMPEDANCE: 100±10 OHMS (MEASURED DIFFERENTIALLY).

2 LABEL INFORMATION:



3 LABEL INFORMATION:

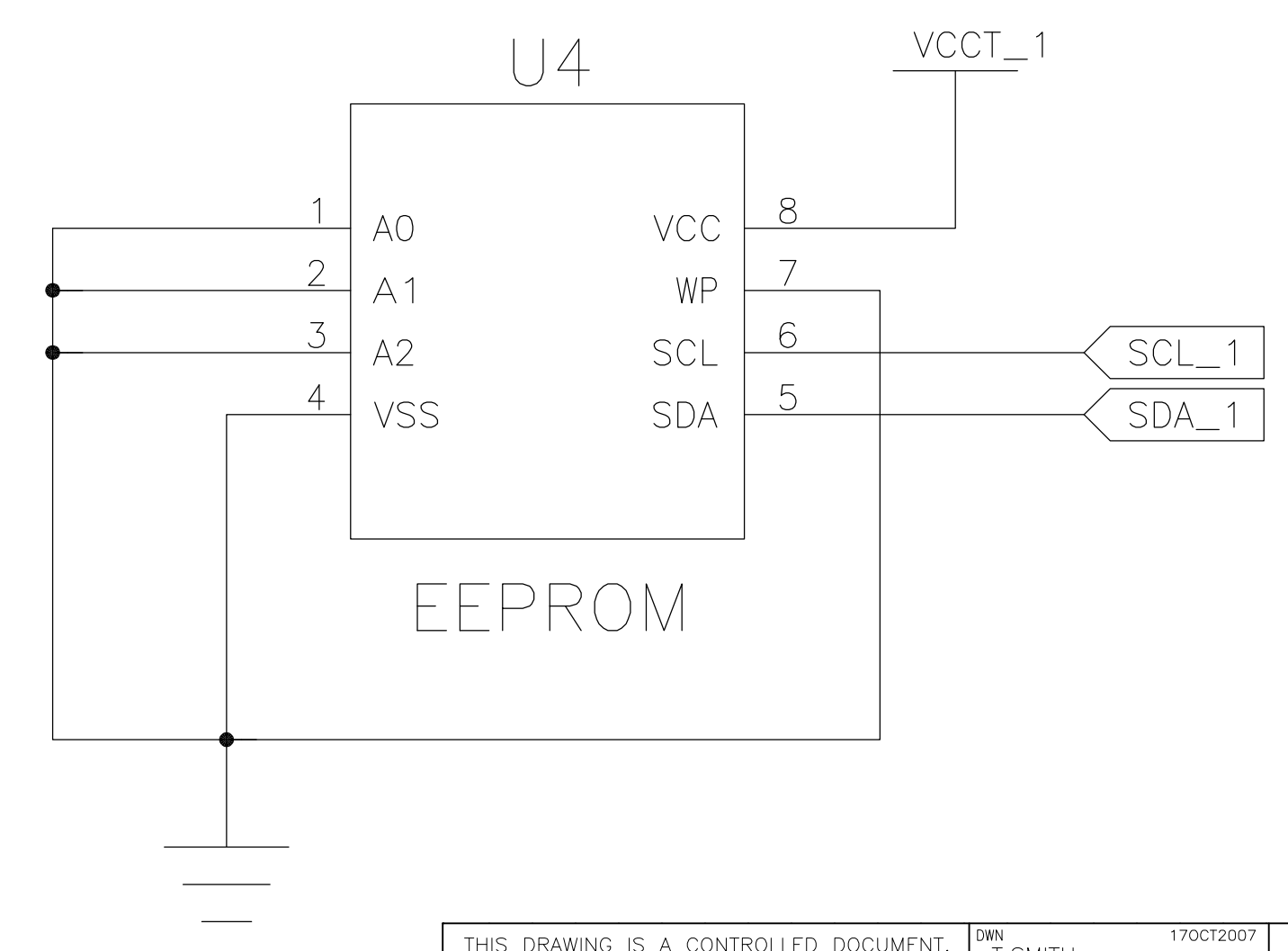
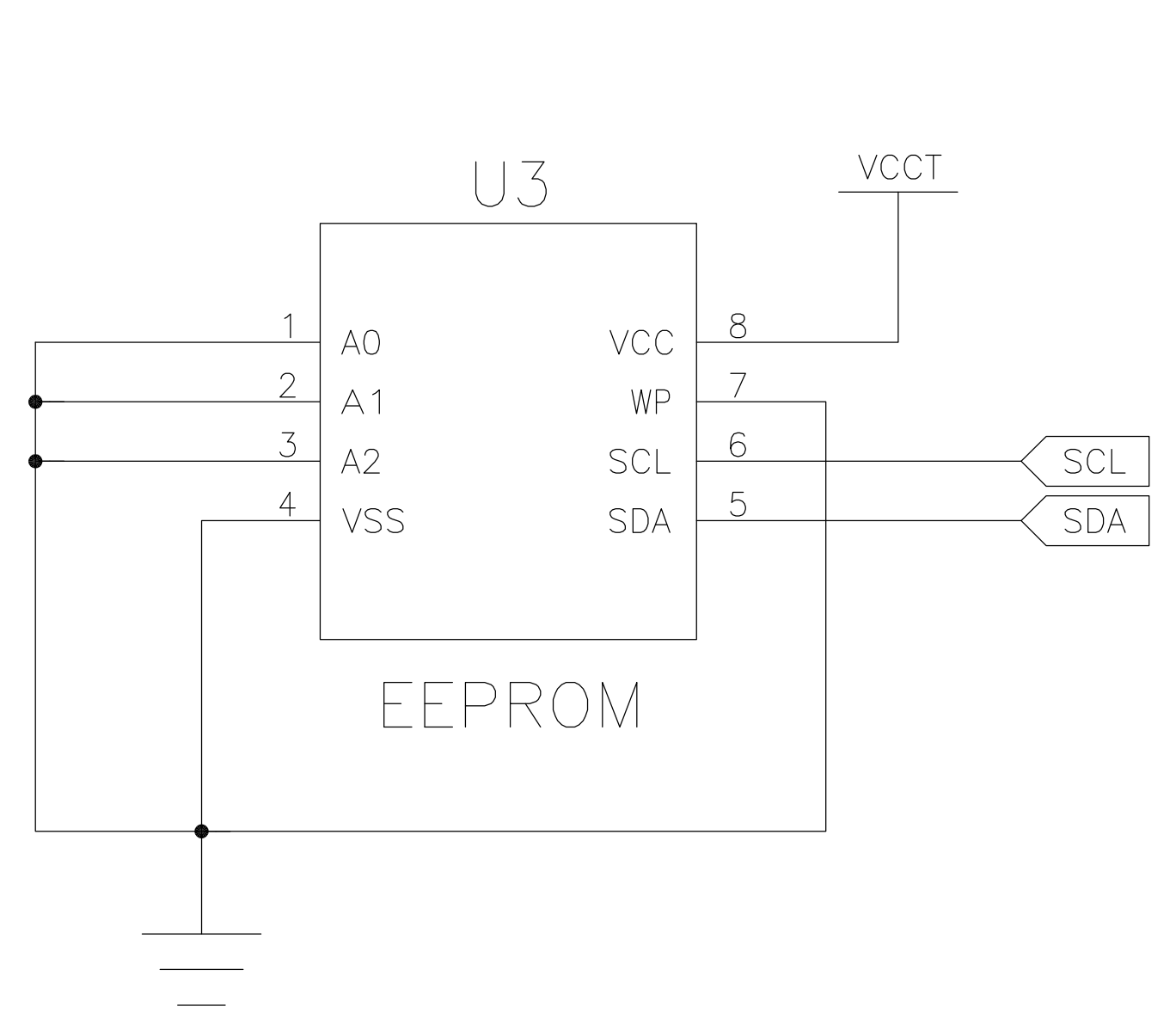
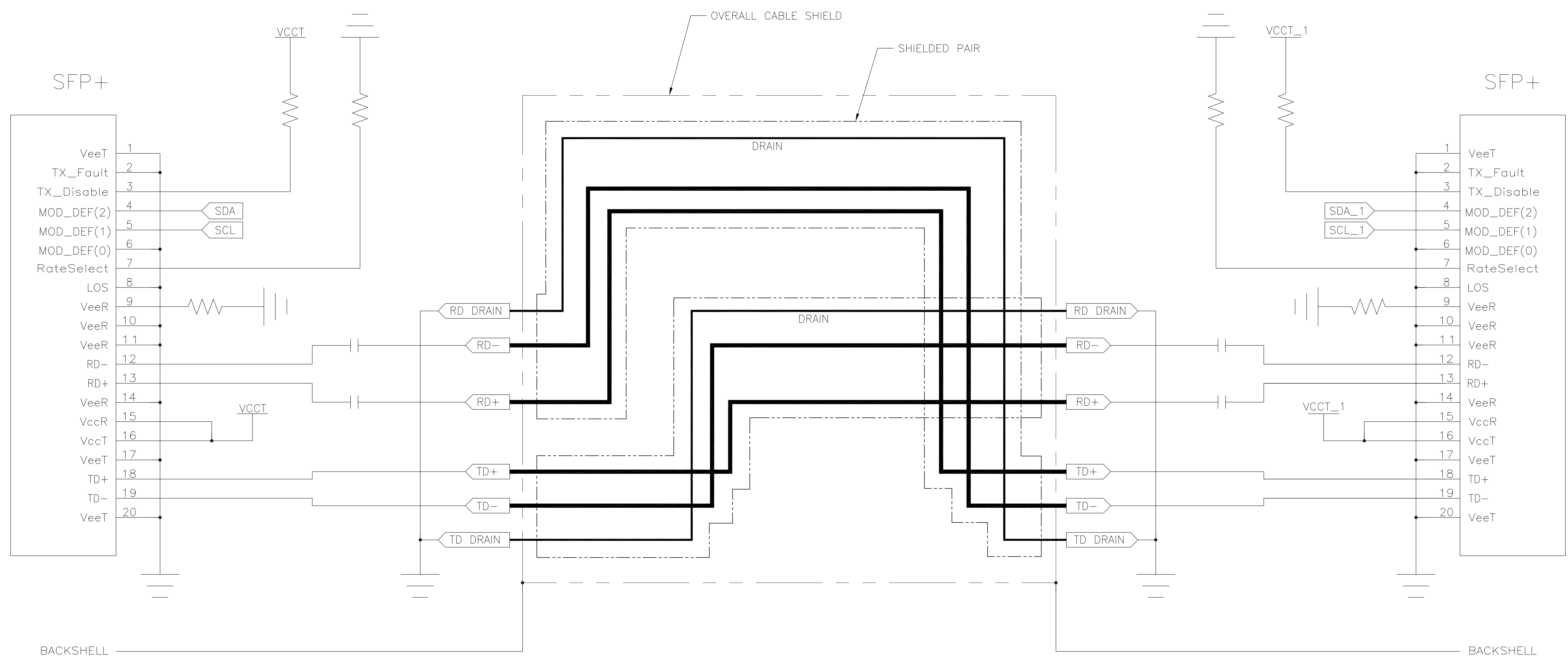


5. SEE SHEET 2 FOR WIRING SCHEMATIC.

6. ROHS COMPLIANCE: PRODUCT AND PROCESSING MEETS REQUIREMENTS OF TYCO ELECTRONICS SPECIFICATION 230-702 2.2.B.

THIS DRAWING IS A CONTROLLED DOCUMENT.

DIMENSIONS:	TOLERANCES UNLESS OTHERWISE SPECIFIED:	DWN	17OCT2007	Tyco Electronics Corporation Harrisburg, PA 17105-3608	
mm	0 PLC ± - 1 PLC ± - 2 PLC ± - 3 PLC ± - 4 PLC ± - ANGLES ± -	CHK	17OCT2007		
MATERIAL	FINISH	APVD	17OCT2007	NAME	
		D. LAWRENCE		CABLE	
		D. LAWRENCE		CABLE ASSY, 24 AWG, SFP+ TO SFP+	
		SIZE	CAGE CODE	DRAWING NO	RESTRICTED TO
		WEIGHT	A1	00779	2032237
		CUSTOMER DRAWING		SCALE	1:1
		SHEET		1	2
		REV		F	



THIS DRAWING IS A CONTROLLED DOCUMENT.		DN T. SMITH 17OCT2007	Tyco Electronics Corporation Harrisburg, PA 17105-3608
DIMENSIONS: mm		CHK D. LAWRENCE 17OCT2007	
TOLERANCES UNLESS OTHERWISE SPECIFIED: 0. PLC ± . 1. PLC ± . 2. PLC ± . 3. PLC ± . 4. PLC ± . ANGLES ± .		APP'D D. LAWRENCE 17OCT2007	NAME CABLE ASSY, SFP+ TO SFP+
MATERIAL		WEIGHT	SIZE A1
		FINISH	CAGE CODE 00779
			DRAWING NO. 2032237
			RESTRICTED TO
			SCALE 1:1
			SHEET 2 OF 2
			REV F
			CUSTOMER DRAWING