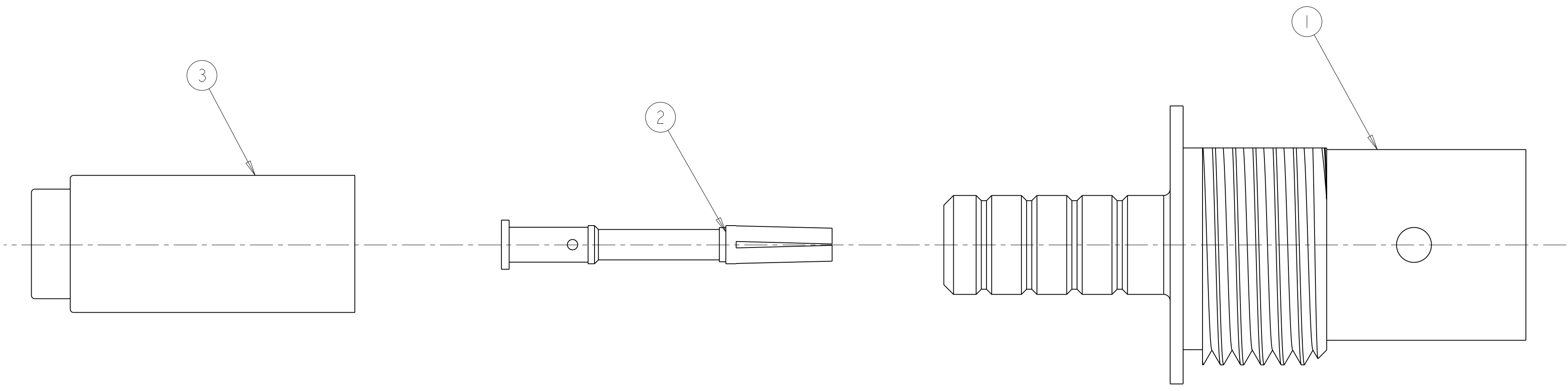
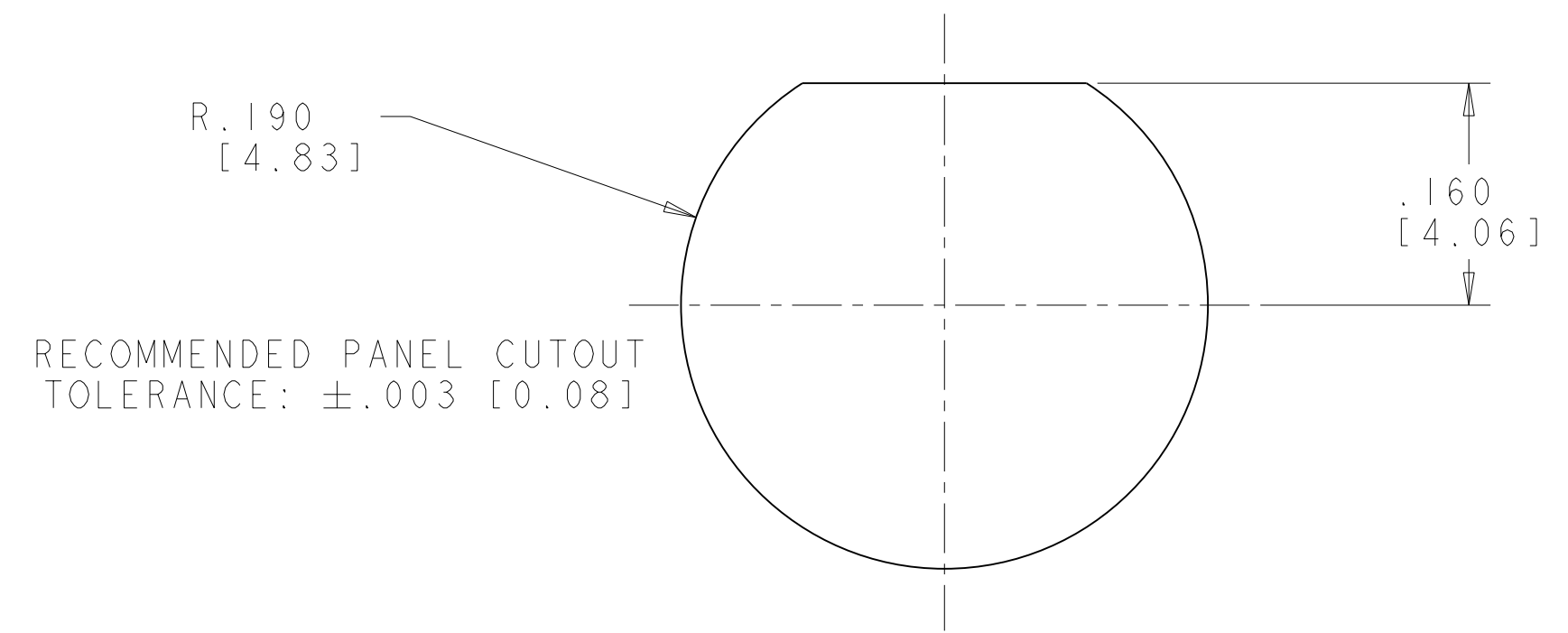


THIS DRAWING IS UNPUBLISHED. RELEASED FOR PUBLICATION 20  
 © COPYRIGHT 20 BY TYCO ELECTRONICS CORPORATION. ALL RIGHTS RESERVED.

LOC		DIST		REVISIONS			
P	LTR	DESCRIPTION	DATE	DWN	APVD		
AJ	16	E	REVISD PER EC OS14-0097-05	10MAY05	BM	KW	



1. ITEMS PACKAGED UNASSEMBLED.
2. ITEMS 4 AND 5 NOT SHOWN FOR CLARITY.
3. SEE SEPARATE CUSTOMER DRAWINGS FOR ITEM DETAILS.
4. SEE INSTRUCTION SHEET 408-8871 FOR CABLE TERMINATION DETAILS.



RG179	.042 [1.07]	.178 [4.52]	1-329492-1	2-330249-2	9-413658-0	1274570-9	1274569-3	1274568-3
734A	.042 [1.07]	.255 [6.48]	1-329492-1	2-330249-2	9-221132-3	1274570-6	1274569-2	1274568-2
735A	.042 [1.07]	.178 [4.52]	1-329492-1	2-330249-2	9-413658-2	1274570-3	1274569-1	1274568-1
CABLE	CONTACT CRIMP (SQUARE)	FERRULE CRIMP (HEX)	⑤ LOCKWASHER QTY = 1	④ JAM NUT QTY = 1	③ FERRULE QTY = 1	② CONTACT QTY = 1	① JACK ASSY QTY = 1	PART NUMBER

<small>THIS DRAWING IS A CONTROLLED DOCUMENT FOR TYCO ELECTRONICS CORPORATION. IT IS SUBJECT TO CHANGE AND THE CONTROLLING ENGINEERING ORGANIZATION SHOULD BE CONTACTED FOR THE LATEST REVISION.</small>		DWN K. WEIDNER 02JUN2003 CHK G. MICHAEL 3FEB2004 APVD K. WEIDNER 3FEB2004	<b>tyco</b> Electronics Tyco Electronics Harrisburg, PA 17105-3608
DIMENSIONS: INCHES [mm]	TOLERANCES UNLESS OTHERWISE SPECIFIED: 0 PLC ± 1 PLC ± 2 PLC ± 3 PLC ±.005 [0.13] 4 PLC ± ANGLES ±2 FINISH	PRODUCT SPEC 108-2159 APPLICATION SPEC	NAME BULKHEAD JACK KIT, MINI BNC
MATERIAL	FINISH	WEIGHT	SIZE A2 CAGE CODE 00779 DRAWING NO C=1274568 RESTRICTED TO - SCALE 8:1 SHEET 1 OF 1 REV E