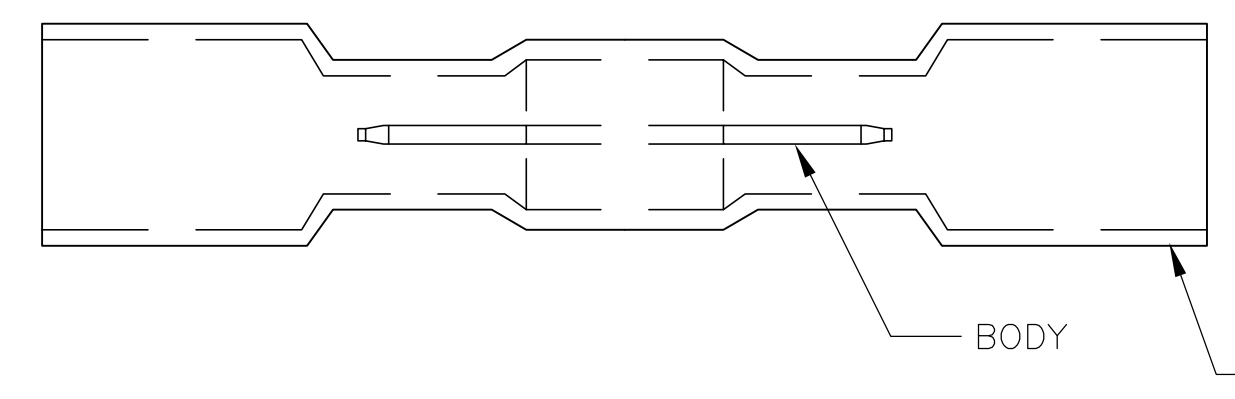
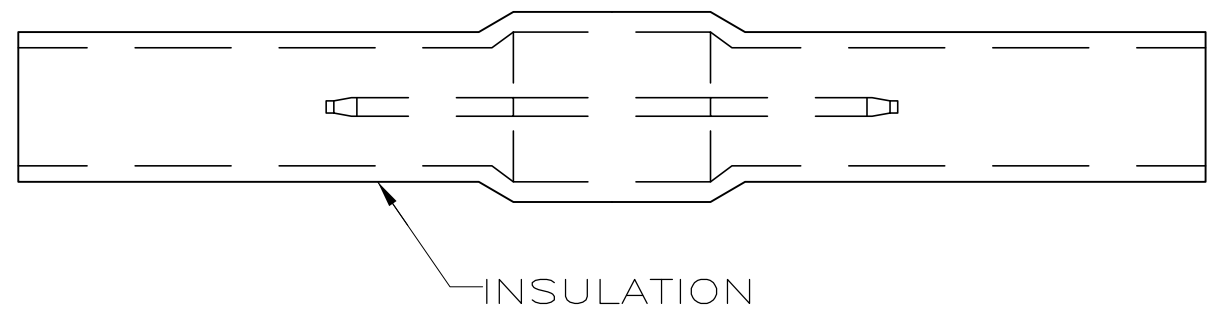
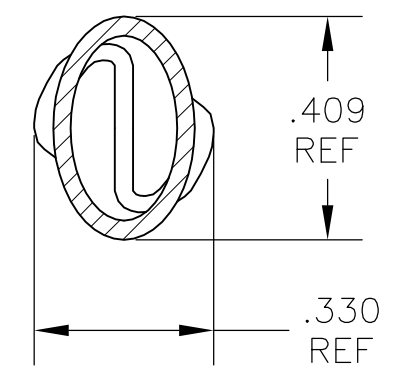
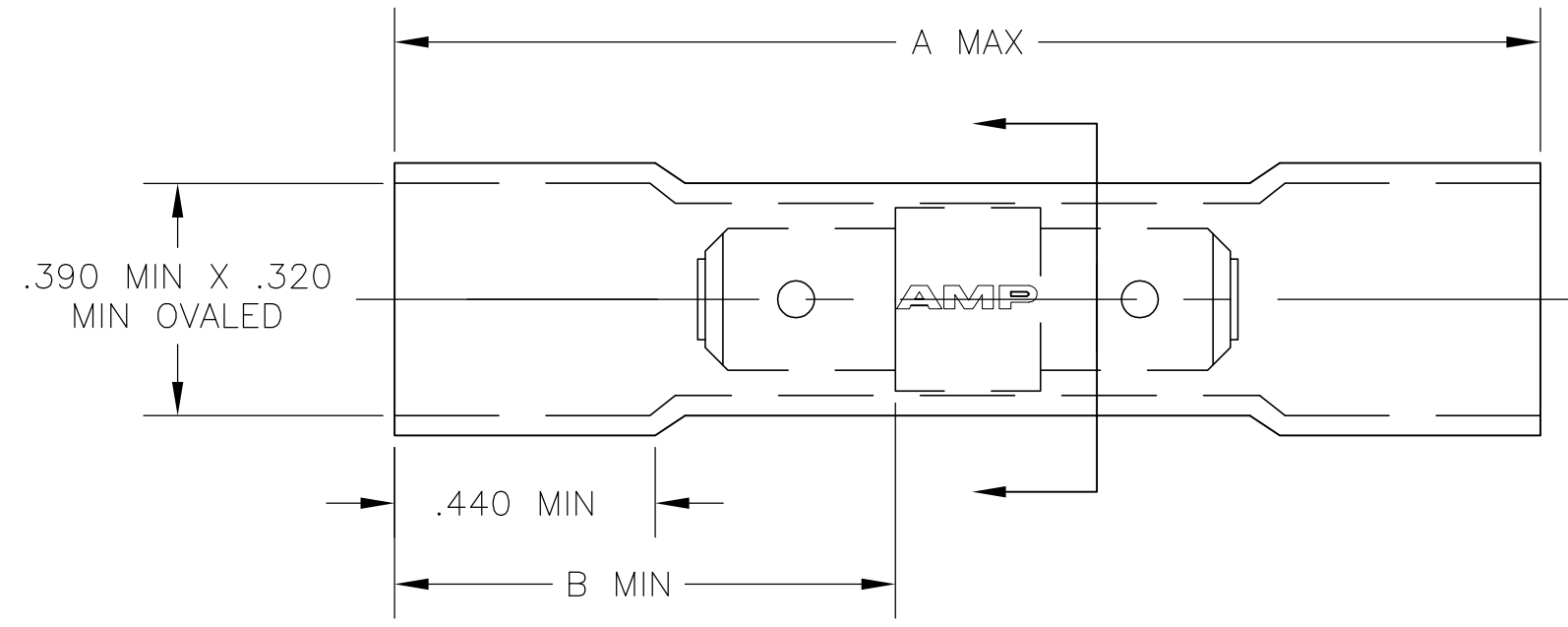
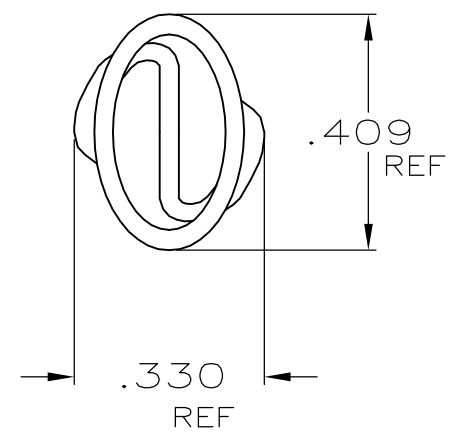
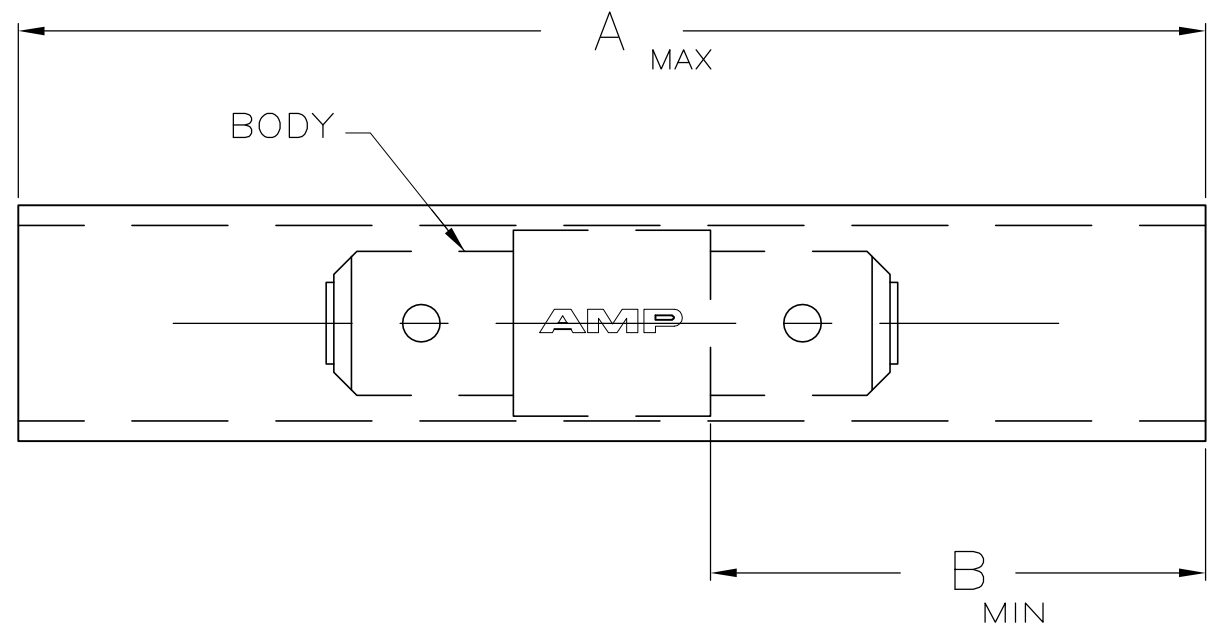


THIS DRAWING IS UNPUBLISHED. RELEASED FOR PUBLICATION  
 © COPYRIGHT BY TYCO ELECTRONICS CORPORATION. ALL RIGHTS RESERVED.

LOC	DIST	REVISIONS					
G	14	P	LTR	DESCRIPTION	DATE	DWN	APVD
		U3		REV PER ECR 08-017149	10JUL08	JR	TM



STYLE I

STYLE III

8-321235-5	2.625	.860	NATURAL	CLEANED		LOOSE PC, BOX SPL	100	600	300
8-321235-1	2.625	.860	NATURAL	CLEANED	I	LOOSE PC, BOX	100	600	300
3-321235-0 <sup>2</sup>	2.625	1.151	BLACK	<sup>1</sup>	I	LOOSE PC	1000		
1-321235-4	2.438	.870	NATURAL	CLEANED	III	LOOSE PC	1000	600	300
1-321235-1	2.625	1.151	NATURAL	<sup>1</sup>		LOOSE PC	1000	600	300
1-321235-0	2.625	1.151	NATURAL	CLEANED	I	LOOSE PC	1000	600	300
321235	2.093	.860	NATURAL	CLEANED		LOOSE PC	1000	300	300
PART NO.	DIM 'A'	DIM 'B'	COLOR	FINISH	STYLE	PACKAGE TYPE	QTY		
								MAX VOLTAGE RATING	

- <sup>1</sup> TIN PLATE PER ASTM B545
- <sup>2</sup> PRELIMINARY - NOT FOR PRODUCTION

WIRE SPLICE	SEE TABLE	INSULATION: PVC COLOR: SEE TABLE BODY: BRASS (ASTM B-19) .032 THK FINISH: SEE TABLE
DESCRIPTION	PART NO.	MATERIAL & FINISH

THIS DRAWING IS A CONTROLLED DOCUMENT.

DIMENSIONS: INCHES	TOLERANCES UNLESS OTHERWISE SPECIFIED:	DWN JR RUTH 06OCT00	Tyco Electronics Corporation Harrisburg, PA 17105-3608
	0 PLC ± -	CHK T MICHIELUTTI 06OCT00	
	1 PLC ± -	APVD T MICHIELUTTI 06OCT00	
	2 PLC ± -	PRODUCT SPEC	
	3 PLC ± .008	APPLICATION SPEC	
	4 PLC ± -		
	ANGLES ± -		
MATERIAL SEE TABLE	FINISH SEE TABLE	WEIGHT -	RESTRICTED TO -
		SIZE A2	CAGE CODE 00779
		DRAWING NO C=321235	
		CUSTOMER DRAWING	SCALE NTS SHEET 1 of 1 REV U3

321235