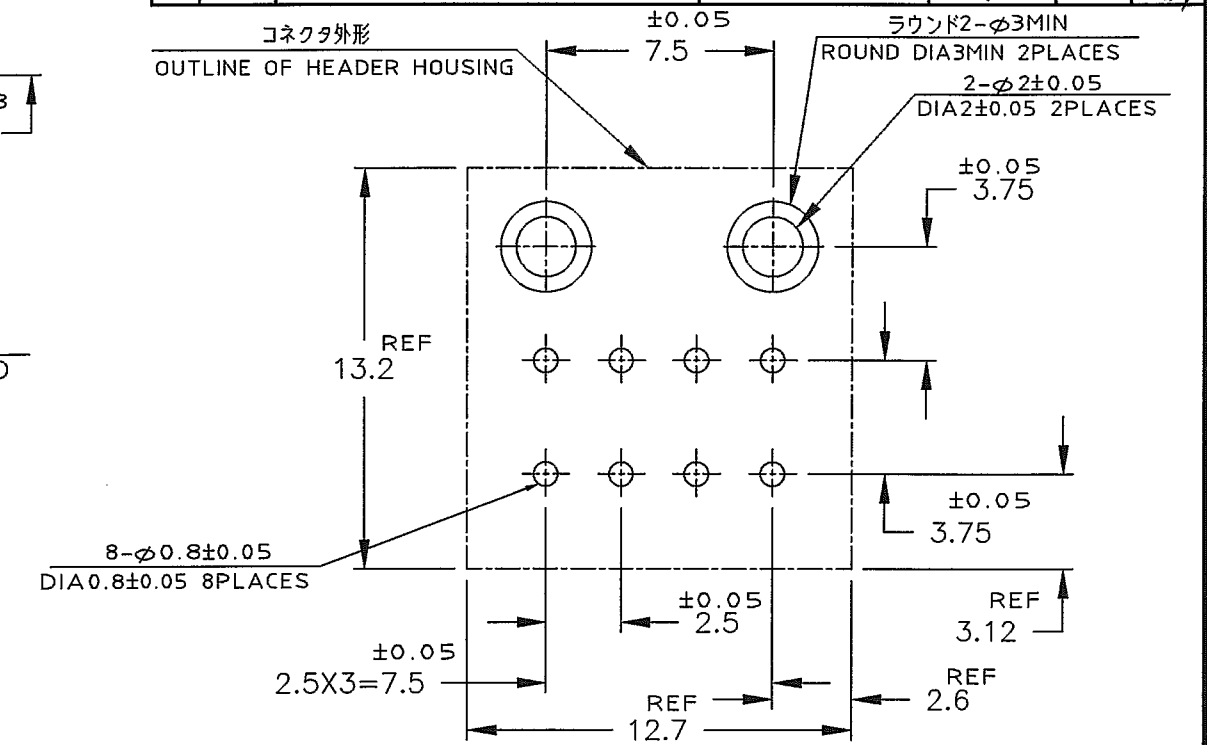
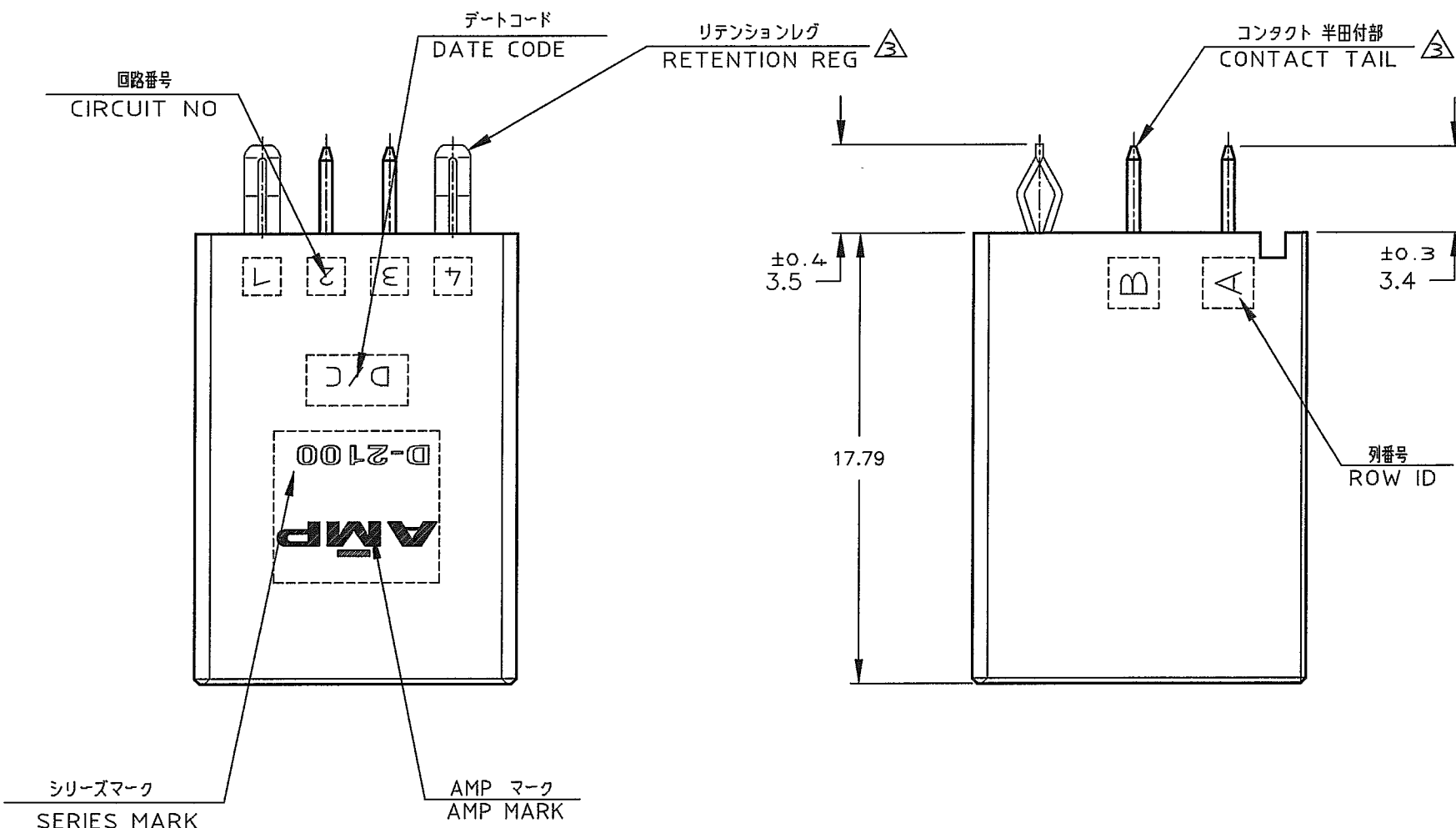
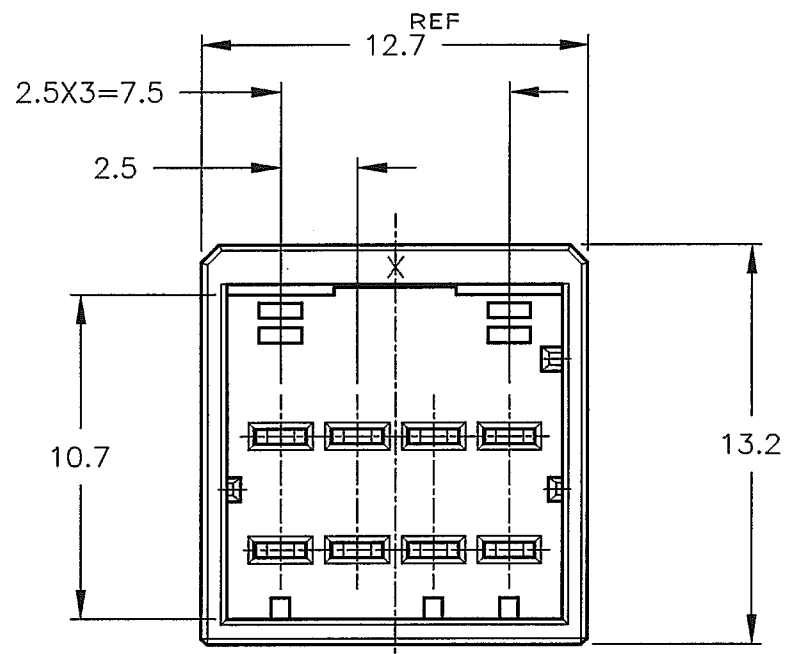


THIS DRAWING IS UNPUBLISHED. RELEASED FOR PUBLICATION 1998
 © COPYRIGHT 1998 BY AMP INCORPORATED, ALL RIGHTS RESERVED.

REVISIONS					
P	LTR	DESCRIPTION	ECN	DATE	APVD
0		RELEASED	FJ00-1421-98	7/DEC 98	K.I.H.
A		REVISED	FJ00-1080-00	21/SEP '00	Y.K.S.M
B		REVISED	FJ00-1802-02	5SEP'02	T.S.S.M
C		REVISED	FJD0-0039-03	02.JUN'03	T.S.S.M
C1		REVISED	FJD0-0318-03	21.Sep. 03	T.S.S.M



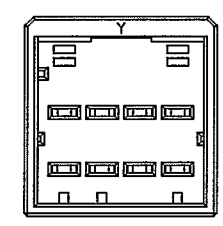
推奨基板取付け寸法 (公差: ±0.05)
 PC 基板厚: 1.6 ± 0.3
 (コネクタ搭載面)
 RECOMENDED PC BOARD HOLE PATTERN (TOL: ±0.05)
 PC BOARD THICKNESS: 1.6 ± 0.3
 (CONNECTOR MOUNT SIDE)



NOTES
 1. MATERIAL: HOUSING: GLASS FILLED THERMO PLASTIC, POLYESTER (94V-0), COLOR: BLACK
 TAB CONTACT: COPPER ALLOY
 RETENTION LEG: BRASS
 △2 FINISH (CONTACT AREA): 0.38 μm MIN GOLD PLATING OVER Ni PLATING
 △3 FINISH (RETENTION LEG): TIN PLATED (CONTACT TAIL) OVER NICKEL

注記
 1. 材料: ハウジング: ガラス入り熱可塑性ポリエステル樹脂 (94V-0), 色: 黒
 タブ コンタクト: 銅合金
 リテンション レグ: 黄銅
 △2 めっき: コンタクト: 全面Ni下地 接触部: 0.38 μm MIN金めっき
 △3 めっき: リテンションレグとコンタクト半田付部: ニッケル下地の上にスズめっき

1318125-1 (KEYING X)

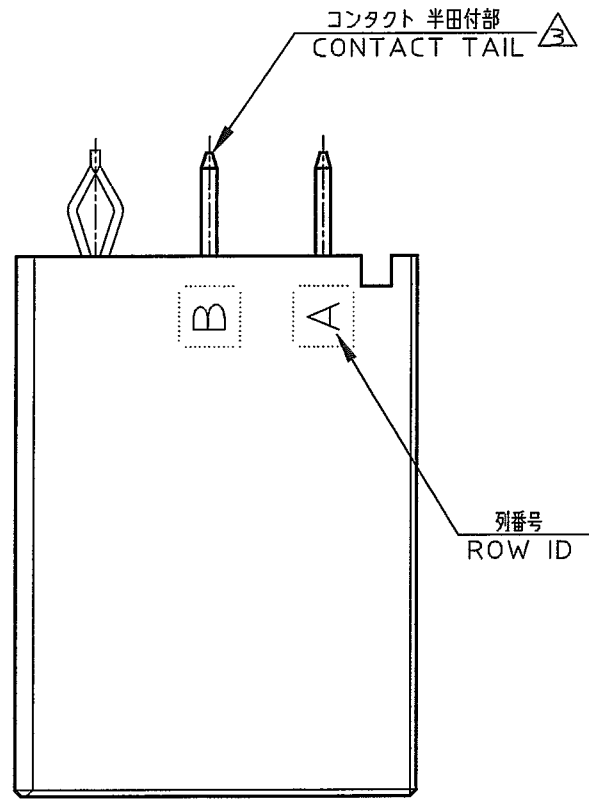
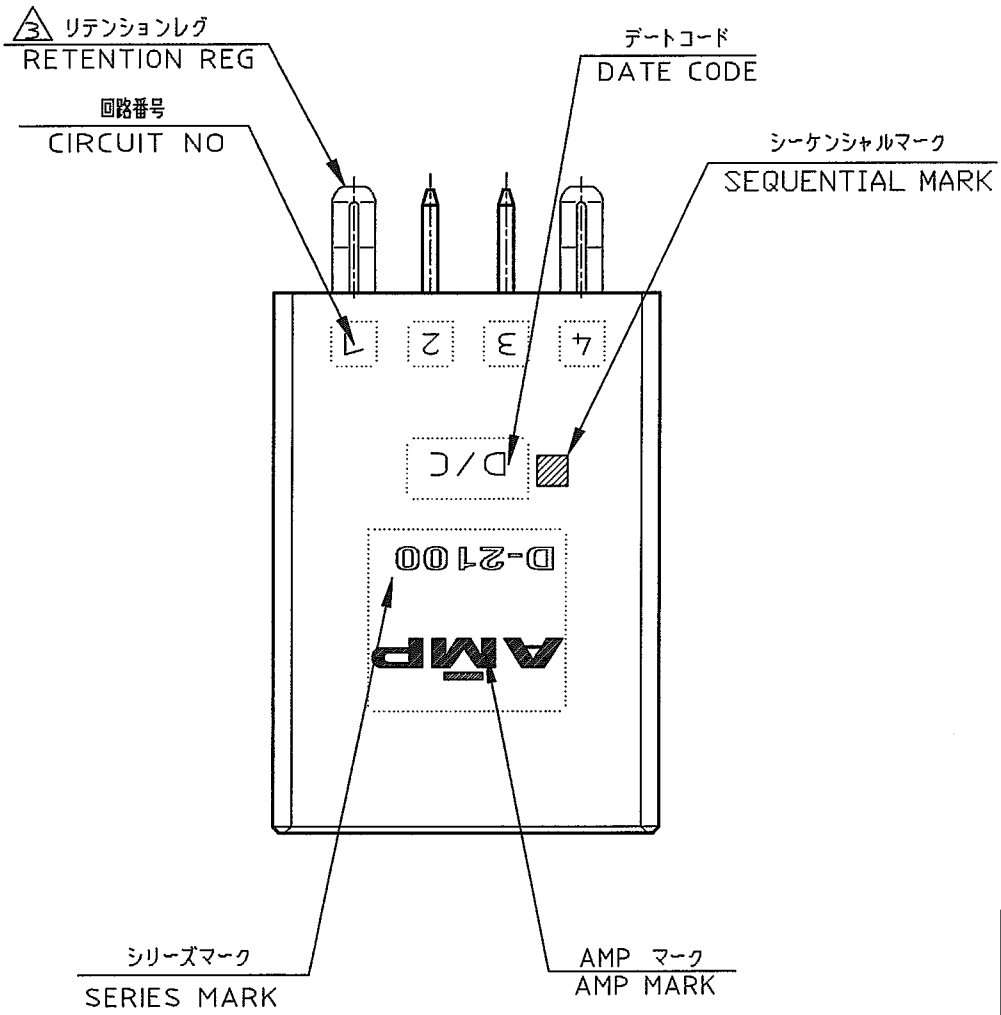


1318125-2 (KEYING Y) SCALE: 2-1

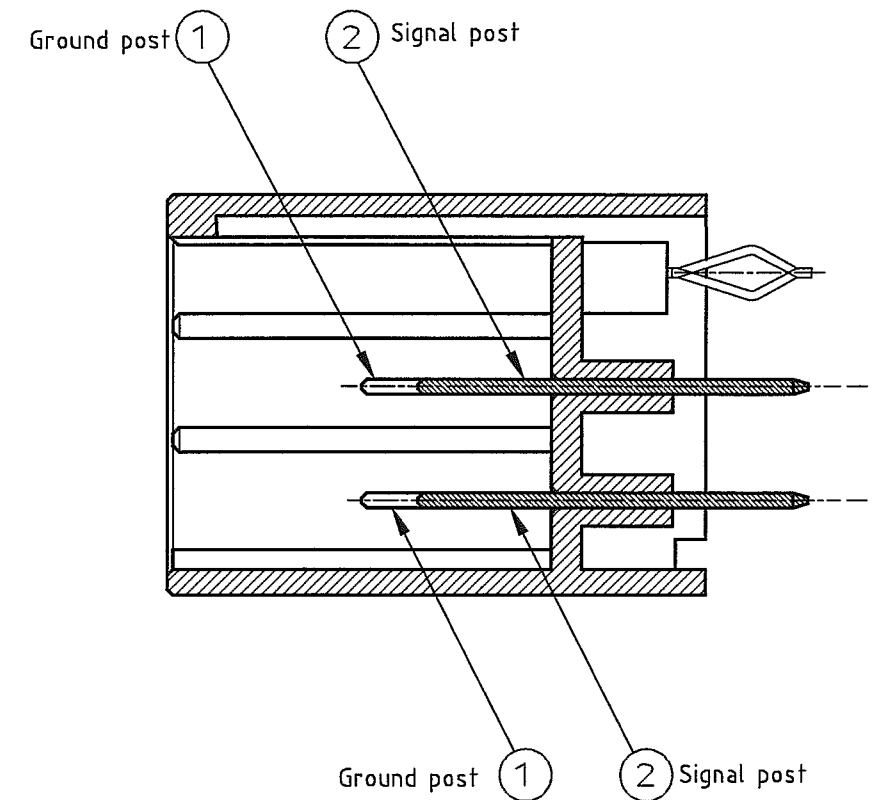
THIS DRAWING IS A CONTROLLED DOCUMENT FOR AMP INCORPORATED. IT IS SUBJECT TO CHANGE AND THE CONTROLLING ENGINEERING ORGANIZATION SHOULD BE CONTACTED FOR THE LATEST REVISION.		DWN K.IKEDA 7/DEC/98	tyco Electronics		Tyco Electronics AMP K.K. Kawasaki, Japan	
DIMENSIONS: 単位 毎 mm		CHK N.MATSUBARA 7/DEC/98	NAME 2列 ヘッダーアセンブリー 8P (垂直タイプ)		DOUBLE ROW HEADER ASS'Y 8P ("V" TYPE) <DYNAMIC D-2100D>	
TOLERANCES UNLESS OTHERWISE SPECIFIED 一般公差 10% : ±0.3 3% >10 : ±0.35 10% >30 : ±0.4 ANGLE : ±3'		APVD I.HASEGAWA 7/DEC/98	PRODUCT SPEC 製品規格 108-5619		SIZE A3	CAGE CODE 00779
MATERIAL 注記参照 SEE NOTES		FINISH 注記参照 SEE NOTES	APPLICATION SPEC 取付適用規格 114-5258		DRAWING NO C-1318125	RESTRICTED TO -
CUSTOMER DRAWING			SCALE 4-1		SHEET 1 OF 2 REV C1	

THIS DRAWING IS UNPUBLISHED. RELEASED FOR PUBLICATION 1998
 © COPYRIGHT 1998 BY AMP INCORPORATED. ALL RIGHTS RESERVED.

LOC		DIST		REVISIONS				
P	LTR	DESCRIPTION	ECN	DATE	DWN	APVD		
		SEE 1 OF 2						

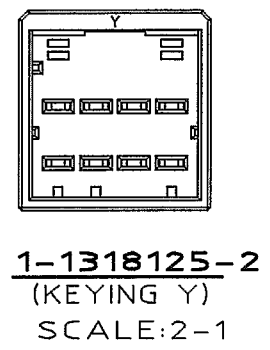
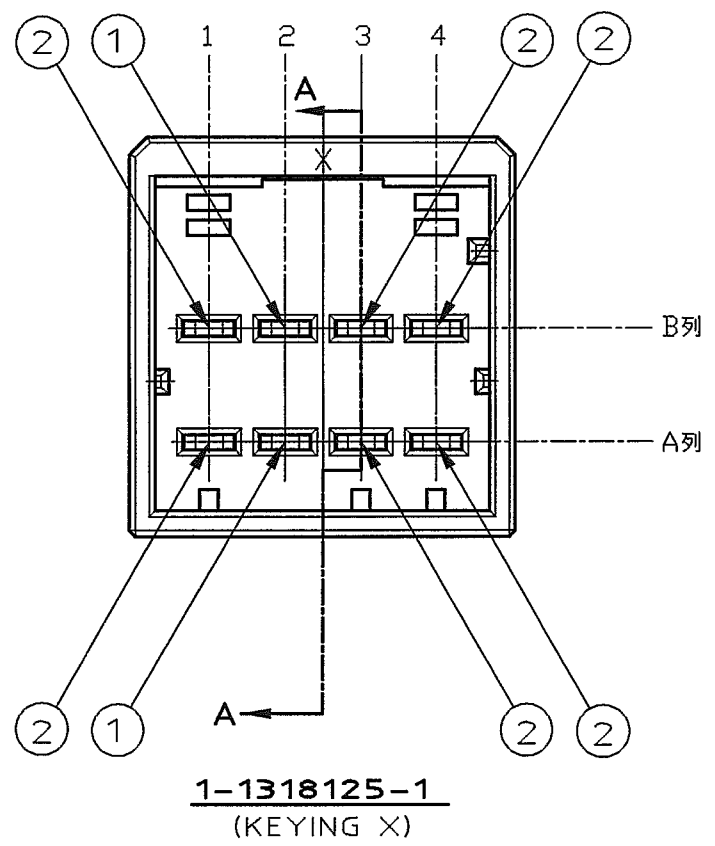


1-1318125-1,2; AS SHOWN SEQUENTIAL TYPE



		回路番号			
		1	2	3	4
列番号	B	② Signal	① Ground	② Signal	② Signal
	A	② Signal	① Ground	② Signal	② Signal

POINT OF SEQUENTIAL
 1-1318125-1,2



NOTES

- 1. MATERIAL: HOUSING: GLASS FILLED THERMO PLASTIC, POLYESTER(94V-0), COLOR: BLACK
 TAB CONTACT: COPPER ALLOY
 RETENTION LEG: BRASS
- △ FINISH (CONTACT AREA): 0.38μm MIN GOLD PLATING OVER Ni PLATING
- △ FINISH (RETENTION LEG): TIN PLATED (CONTACT TAIL) OVER NICKEL

注記

- 1. 材料: ハウジング: ガラス入り熱可塑性ポリエステル樹脂 (94V-0), 色: 黒
 タブ コンタクト: 銅合金
 リテンション レグ: 黄銅
- △ めっき: コンタクト: 全面Ni下地 接触部: 0.38μm MIN金めっき
- △ めっき: リテンションレグとコンタクト半田付部: ニッケル下地のの上にスズめっき

SECT A-A

THIS DRAWING IS A CONTROLLED DOCUMENT FOR AMP INCORPORATED. IT IS SUBJECT TO CHANGE AND THE CONTROLLING ENGINEERING ORGANIZATION SHOULD BE CONTACTED FOR THE LATEST REVISION.		DWN K.IKEDA 7/DEC/'98	Tyco Electronics AMP K.K. Kawasaki, Japan	
DIMENSIONS: 単位 種 mm	TOLERANCES UNLESS OTHERWISE SPECIFIED 一般公差 10% ±0.3 3% >10 ±0.35 10% >30 ±0.4 ANGLE: ±3°	CHK N.MATSUBARA 7/DEC/'98	NAME 2列 ヘッダーアセンブリー 8P (垂直タイプ) DOUBLE ROW HEADER ASS'Y 8P ("V"TYPE) <DYNAMIC D-2100D>	
MATERIAL 材料 注記参照 SEE NOTES	FINISH 仕上 注記参照 SEE NOTES	APVD I.HASEGAWA 7/DEC/'98	PRODUCT SPEC 108-5619	SIZE CAGE CODE DRAWING NO A3 00779 C-1318125
		APPLICATION SPEC 取付適用規格 114-5258	WEIGHT	RESTRICTED TO -
CUSTOMER DRAWING		SCALE 4-1 SHEET 2 OF 2 REV C1		